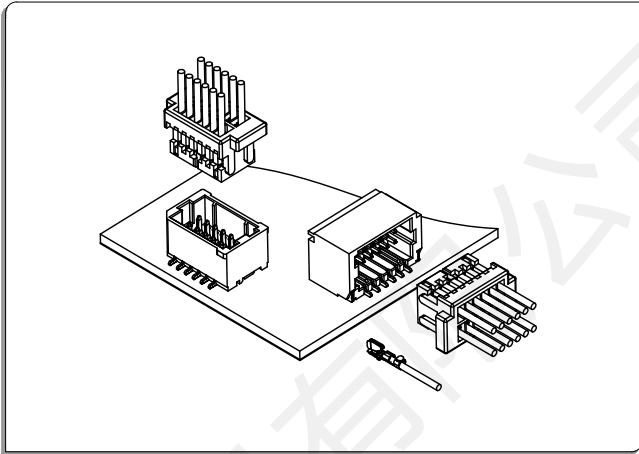


WB100B(SHD) Connector 1.0mm Pitch

WTB
1.0

WB100B(SHD) Connector 1.0mm Pitch

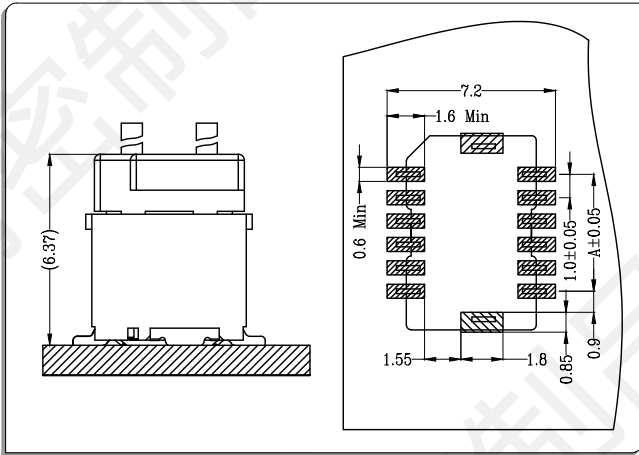


● 技术参数 SPECIFICATIONS

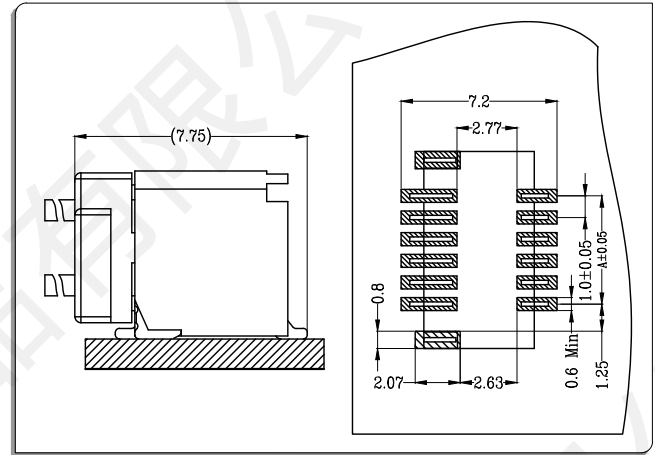
- 1、极数CKT: 2*4Pin to 2*30Pin
- 2、额定电流Current rating: 1A AC/DC
- 3、额定电压Voltage rating(max): 50V, AC/DC
- 4、工作温度Working Temperature: $-25^{\circ}\text{C} \sim +85^{\circ}\text{C}$,
(含通电温度上升值)
(Including temperature rise in applying electrical current)
- 5、接触电阻Contact resistance: 初始Initial value $\leq 20\text{m}\Omega$
环境测试后After environmental testing $\leq 40\text{m}\Omega$
- 6、绝缘电阻Insulation resistance: $\geq 100\text{M}\Omega$
- 7、耐电压Withstand voltage: 500VAC(rms)
- 8、适用线规 Applicable wire: AWG #32 to #28
- 9、适用基板厚度Applicable PC board thickness: 1.6mm to 2.0mm

● 安装尺寸 Mounting Measurement

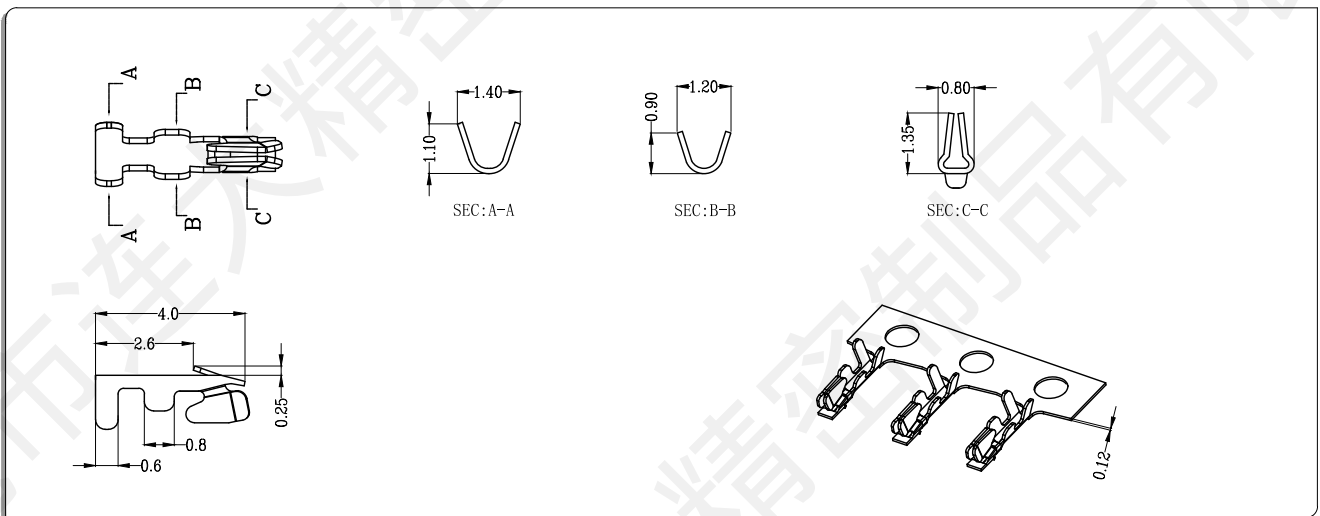
● 立式 Straight Angle



● 卧式 Right Angle



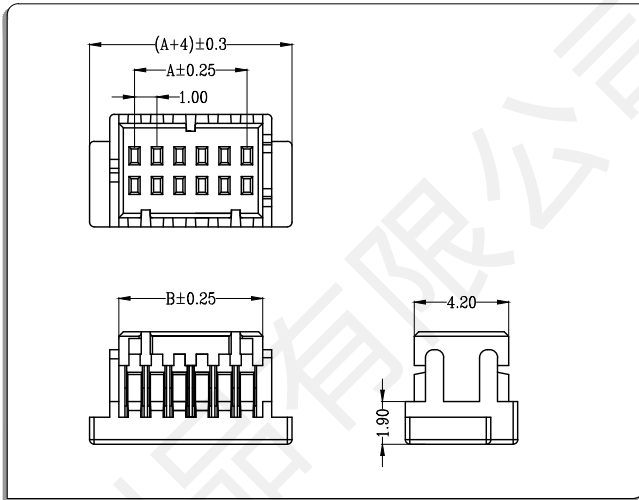
● 端子Terminal: T=0.12mm



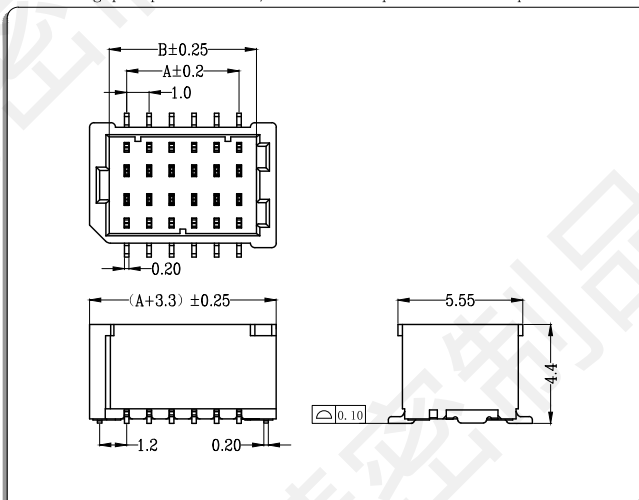
Part No.	Wire Range	Insulation O.D	Material	Finish
WB100B0-T0	AWG#32~#28	0.8mm MAX	phosphor bronze	Tin & Gold-plated

WB100B(SHD) Connector 1.0mm Pitch

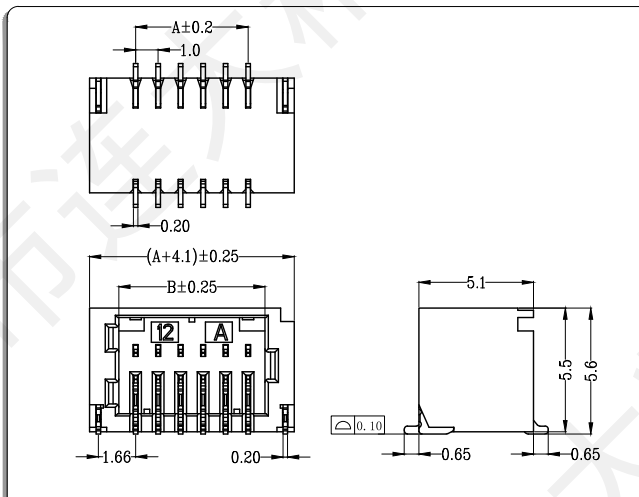
- 公头胶壳 Housing
- 材料Material: Nylon 66 UL94V-0



- 针座 Wafer
- 材料与表面处理 Material and Finish:
Housing:PA6T UL94V-0 & Terminal:phosphor bronze &
Fitting:phosphor bronze; Finish:Tin-plated & Gold-plated



- 材料与表面处理 Material and Finish:
Housing:LCP UL94V-0 & Terminal:phosphor bronze &
Fitting:phosphor bronze; Finish:Tin-plated & Gold-plated



CKT	Part No	DIM A	DIM B
2*4	WB100B0-08	3.00	4.40
2*5	WB100B0-10	4.00	5.40
2*6	WB100B0-12	5.00	6.40
2*7	WB100B0-14	6.00	7.40
2*8	WB100B0-16	7.00	8.40
2*9	WB100B0-18	8.00	9.40
2*10	WB100B0-20	9.00	10.40
2*11	WB100B0-22	10.00	11.40
2*12	WB100B0-24	11.00	12.40
2*15	WB100B0-30	14.00	15.40
2*20	WB100B0-40	19.00	20.40
—	— —	—	—
2*30	WB100B0-60	29.00	30.40

CKT	Part No	DIM A	DIM B
2*4	WB100BL-08	3.00	4.55
2*5	WB100BL-10	4.00	5.55
2*6	WB100BL-12	5.00	6.55
2*7	WB100BL-14	6.00	7.55
2*8	WB100BL-16	7.00	8.55
2*9	WB100BL-18	8.00	9.55
2*10	WB100BL-20	9.00	10.55
2*11	WB100BL-22	10.00	11.55
2*12	WB100BL-24	11.00	12.55
2*15	WB100BL-30	14.00	15.55
2*20	WB100BL-40	19.00	20.55
—	— —	—	—
2*30	WB100BL-60	29.00	30.55

CKT	Part No	DIM A	DIM B
2*4	WB100BW-08	3.00	4.50
2*5	WB100BW-10	4.00	5.50
2*6	WB100BW-12	5.00	6.50
2*7	WB100BW-14	6.00	7.50
2*8	WB100BW-16	7.00	8.50
2*9	WB100BW-18	8.00	9.50
2*10	WB100BW-20	9.00	10.50
2*11	WB100BW-22	10.00	11.50
2*12	WB100BW-24	11.00	12.50
2*15	WB100BW-30	14.00	15.50
2*20	WB100BW-40	19.00	20.50
—	— —	—	—
2*30	WB100BW-60	29.00	30.50

WTB
1.0

WB100B(SHD) Connector 1.0mm Pitch