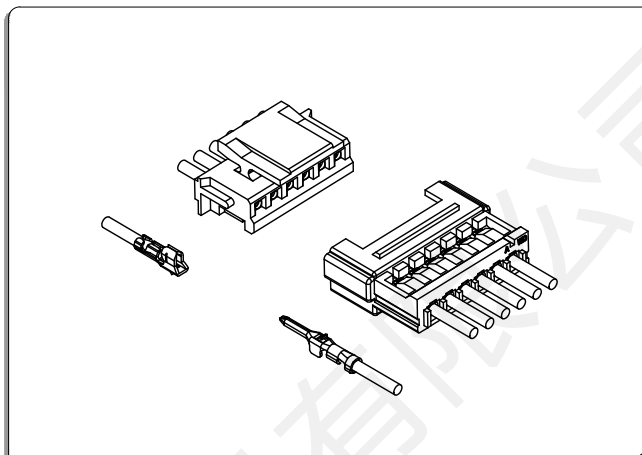


WT150L (ZH) Connector 1.5mm Pitch

WTB
1.5

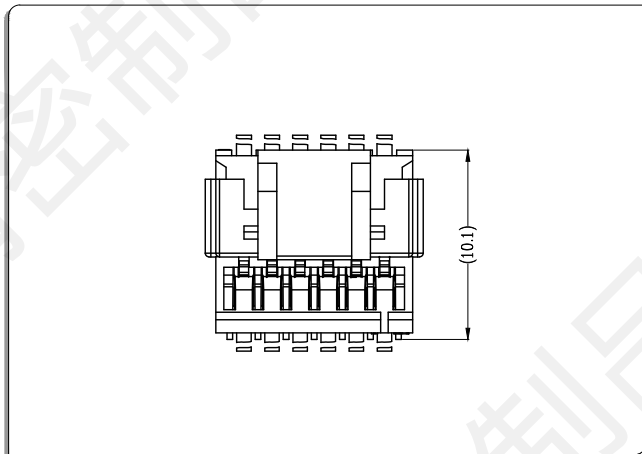
WT150L (ZH) Connector 1.5mm Pitch



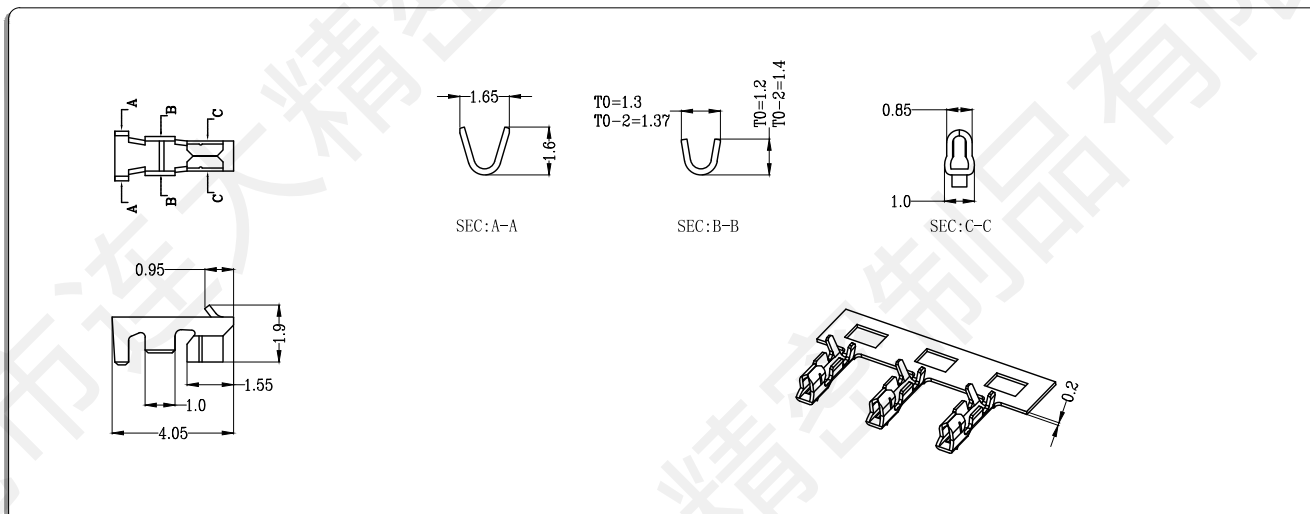
● 技术参数 SPECIFICATIONS

- 1、极数CKT: 2Pin to 20Pin
- 2、额定电流Current rating: 1A AC/DC
- 3、额定电压Voltage rating(max): 100V, AC/DC
- 4、工作温度Working Temperature: -25°C~+85°C, (含通电温度上升值)
(Including temperature rise in applying electrical current)
- 5、接触电阻Contact resistance: 初始Initial value $\leq 20\text{m}\Omega$
环境测试后After environmental testing $\leq 30\text{m}\Omega$
- 6、绝缘电阻Insulation resistance: $\geq 500\text{M}\Omega$
- 7、耐电压Withstand voltage: 500VAC(rms)
- 8、适用线规 Applicable wire: AWG #30 to #26
- 9、适用基板厚度Applicable PC board thickness: 1.6mm to 2.0mm

● 安装尺寸 Mounting Measurement



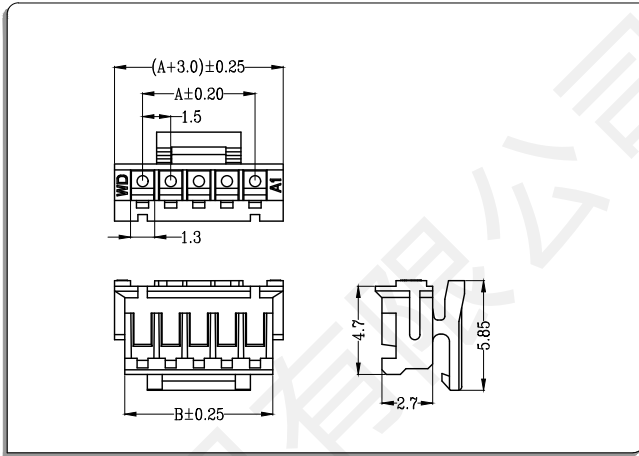
● 公头端子 Terminal: T=0.2mm



Part No.	Wire Range	Insulation O.D	Material	Finish
WT150Z0—T0	AWG#30~#26	1.10mm MAX	phosphor bronze	Tin & Gold-plated
WT150Z0—T0-2	AWG#26~#24	1.10mm MAX	phosphor bronze	Tin & Gold-plated

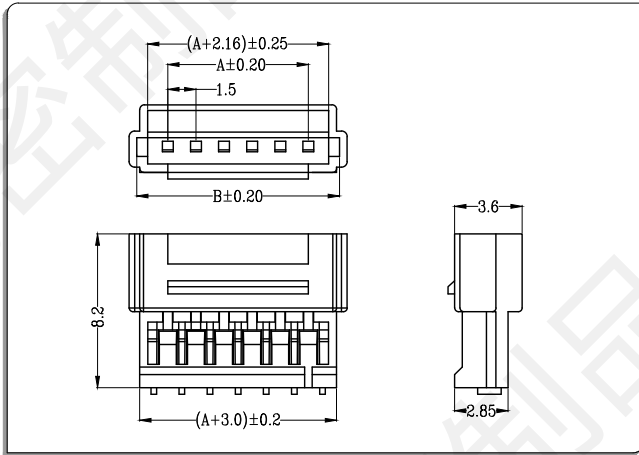
WT150L (ZH) Connector 1.5mm Pitch

- 公头胶壳 Housing
- 材料Material: Nylon 66 UL94V-0



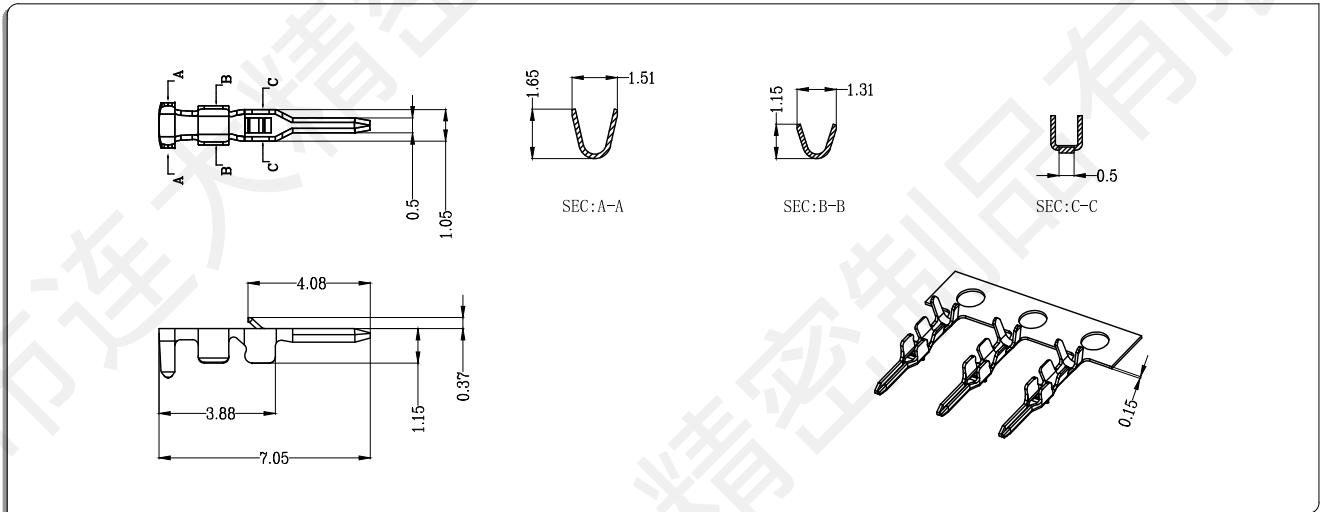
CKT	Part No	DIM A	DIM B
2	WT150Z0-02	1.50	3.40
3	WT150Z0-03	3.00	4.90
4	WT150Z0-04	4.50	6.40
5	WT150Z0-05	6.00	7.90
6	WT150Z0-06	7.50	9.40
7	WT150Z0-07	9.00	10.90
8	WT150Z0-08	10.50	12.40
9	WT150Z0-09	12.00	13.90
10	WT150Z0-10	13.50	15.40
11	WT150Z0-11	15.00	16.90
12	WT150Z0-12	16.50	18.40
—	— —	—	—
16	WT150Z0-16	22.50	24.40

- 母座胶壳 Housing
- 材料Material: Nylon 66 UL94V-0



CKT	Part No	DIM A	DIM B
2	WT150Z1-02	1.50	4.82
3	WT150Z1-03	3.00	6.32
4	WT150Z1-04	4.50	7.82
5	WT150Z1-05	6.00	9.32
6	WT150Z1-06	7.50	10.82
7	WT150Z1-07	9.00	12.32
8	WT150Z1-08	10.50	13.82
9	WT150Z1-09	12.00	15.32
10	WT150Z1-10	13.50	16.82
11	WT150Z1-11	15.00	18.32
12	WT150Z1-12	16.50	19.82
—	— —	—	—
16	WT150Z1-16	22.50	25.82

- 母座端子Terminal: T=0.15mm



Part No.	Wire Range	Insulation O.D	Material	Finish
WT150Z1-T0	AWG#30~#26	1.10mm MAX	phosphor bronze	Tin & Gold-plated

WTB
1.5

WT150L (ZH) Connector 1.5mm Pitch