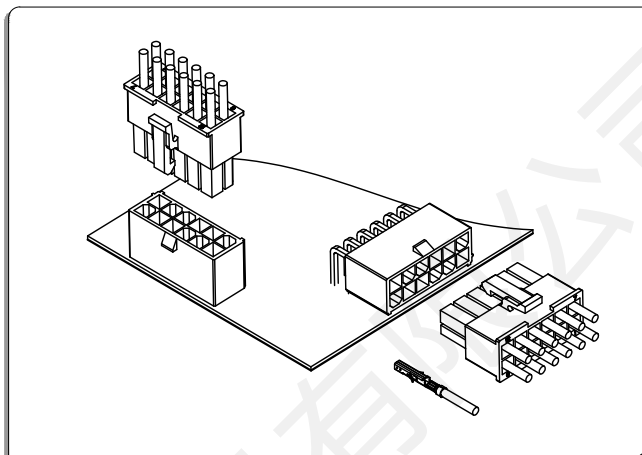


WB5557(5557) Connector 4.2mm Pitch(大电流紫铜)

WTB
4.2

WB5557(5557) Connector 4.2mm Pitch(大电流紫铜)

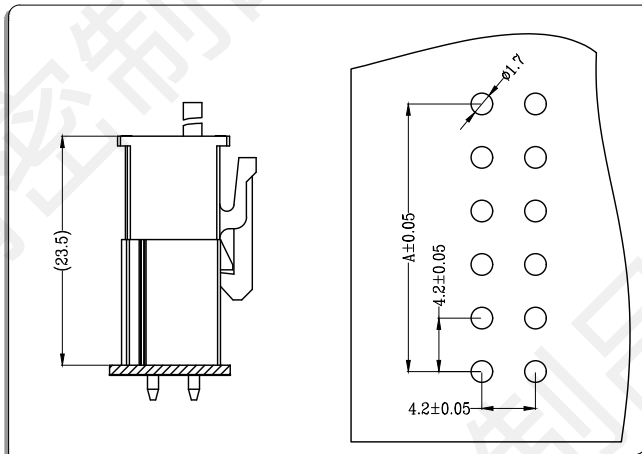


● 技术参数 SPECIFICATIONS

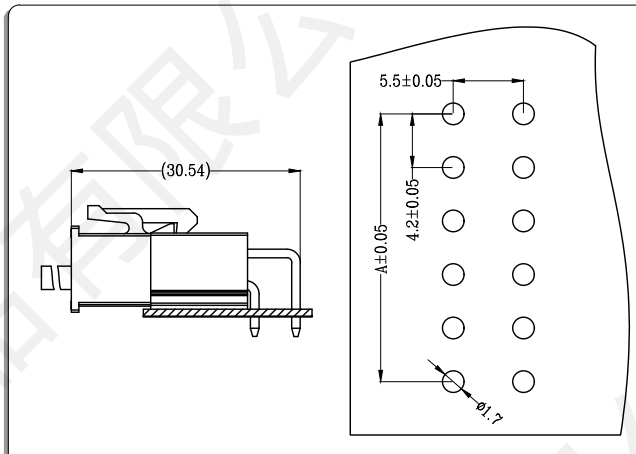
- 1、极数CKT: 2*1Pin to 2*12Pin
- 2、额定电流Current rating: 12.5A AC/DC
- 3、额定电压Voltage rating(max): 250V, AC/DC
- 4、工作温度Working Temperature: -25°C~+85°C, (含通电温度上升值)
(Including temperature rise in applying electrical current)
- 5、接触电阻Contact resistance: 初始Initial value $\leq 20m\Omega$
环境测试后After environmental testing $\leq 30m\Omega$
- 6、绝缘电阻Insulation resistance: $\geq 1000M\Omega$
- 7、耐电压Withstand voltage: 1500VAC(rms)
- 8、适用线规 Applicable wire: AWG #18 to #22
- 9、适用基板厚度Applicable PC board thickness: 1.6mm to 2.0mm

● 安装尺寸 Mounting Measurement

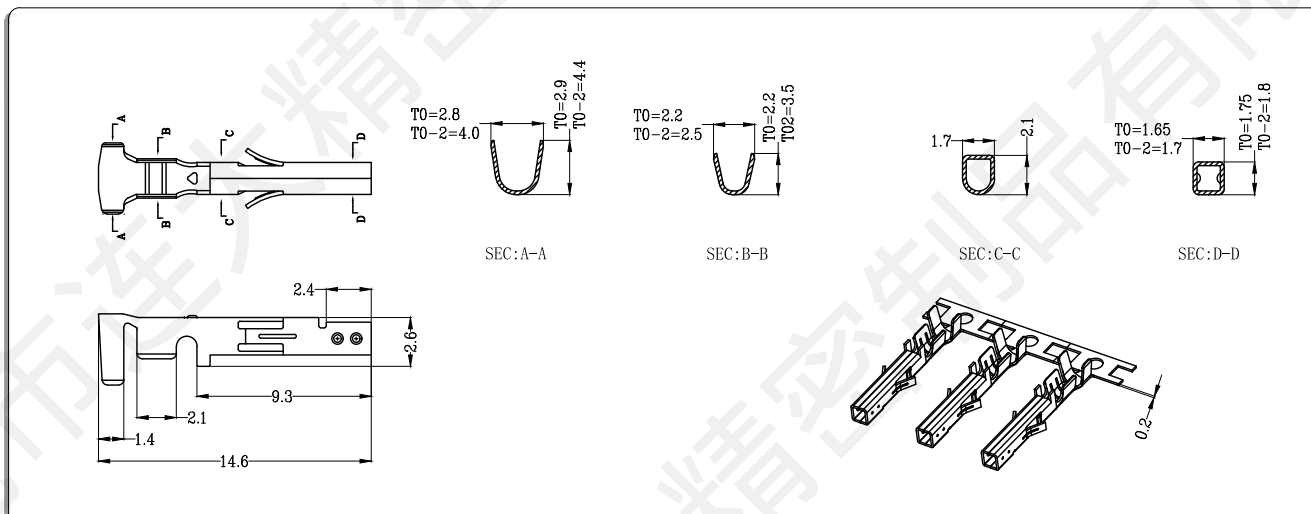
● 立式 Straight Angle



● 卧式 Right Angle



● 端子Terminal: T=0.2mm



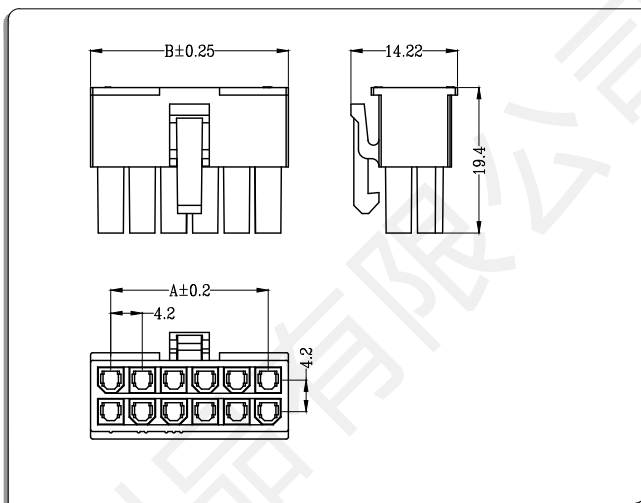
Part No.	Wire Range	Insulation O.D	Material	Finish
WB5557M—T0	AWG#22~#18	1.80mm MAX	phosphor bronze	Tin & Gold-plated
WB5557M—T0-2	AWG#20~#16	4.30mm MAX	phosphor bronze	Tin & Gold-plated

WB5557 (5557) Connector 4.2mm Pitch (大电流紫铜)

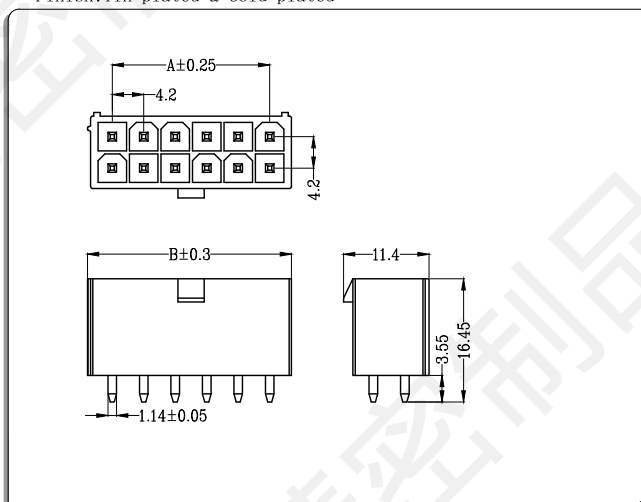
WTB
4.2

WB5557 (5557) Connector 4.2mm Pitch (大电流紫铜)

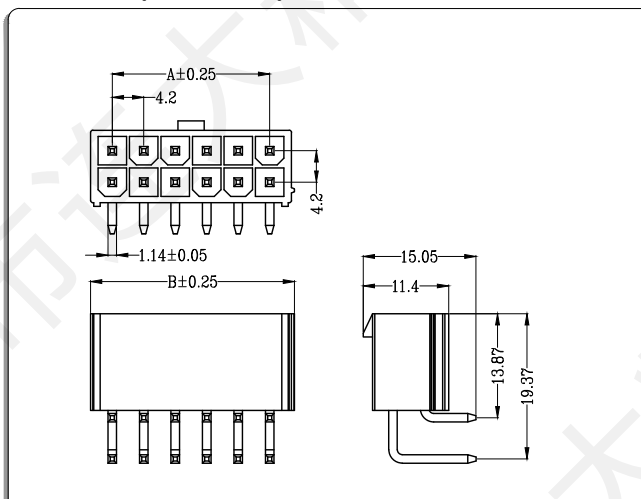
- 公头胶壳 Housing
- 材料Material: Nylon 66 UL94V-2



- 针座 Wafer
- 材料与表面处理 Material and Finish:
Housing:LCP UL94V-0 & Terminal:Red copper
Finish: Tin-plated & Gold-plated



- 材料与表面处理 Material and Finish:
Housing:LCP UL94V-0 & Terminal:Red copper
Finish: Tin-plated & Gold-plated



CKT	Part No	DIM A	DIM B
2*1	WB5557M-02		5.40
2*2	WB5557M-04	4.20	9.60
2*3	WB5557M-06	8.40	13.80
2*4	WB5557M-08	12.60	18.00
2*5	WB5557M-10	16.80	22.20
2*6	WB5557M-12	21.00	26.40
2*7	WB5557M-14	25.20	30.60
2*8	WB5557M-16	29.40	34.80
2*9	WB5557M-18	33.60	39.00
2*10	WB5557M-20	37.80	43.20
2*11	WB5557M-22	42.00	47.40
2*12	WB5557M-24	46.20	51.60

CKT	Part No	DIM A	DIM B
2*1	WB5557M-02		5.80
2*2	WB5557M-04	4.20	10.00
2*3	WB5557M-06	8.40	14.20
2*4	WB5557M-08	12.60	18.40
2*5	WB5557M-10	16.80	22.60
2*6	WB5557M-12	21.00	26.80
2*7	WB5557M-14	25.20	31.00
2*8	WB5557M-16	29.40	35.20
2*9	WB5557M-18	33.60	39.40
2*10	WB5557M-20	37.80	43.60
2*11	WB5557M-22	42.00	47.80
2*12	WB5557M-24	46.20	52.00

CKT	Part No	DIM A	DIM B
2*1	WB5557W-02		5.80
2*2	WB5557W-04	4.20	10.00
2*3	WB5557W-06	8.40	14.20
2*4	WB5557W-08	12.60	18.40
2*5	WB5557W-10	16.80	22.60
2*6	WB5557W-12	21.00	26.80
2*7	WB5557W-14	25.20	31.00
2*8	WB5557W-16	29.40	35.20
2*9	WB5557W-18	33.60	39.40
2*10	WB5557W-20	37.80	43.60
2*11	WB5557W-22	42.00	47.80
2*12	WB5557W-24	46.20	52.00