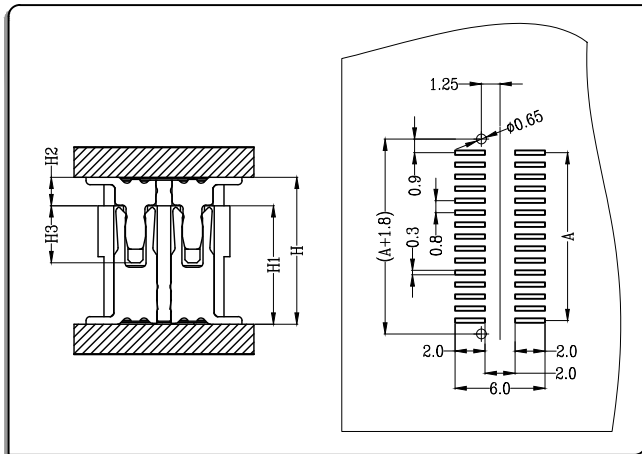


● 技术参数 SPECIFICATIONS

- 1、极数CKT: 2*4Pin to 2*50Pin
- 2、额定电流Current rating: 0.5A AC/DC
- 3、额定电压Voltage rating(max): 50V, AC/DC
- 4、工作温度Working Temperature: -25°C~+85°C, (含通电温度上升值)
(Including temperature rise in applying electrical current)
- 5、接触电阻Contact resistance: 初始Initial value $\leq 20m\Omega$
环境测试后After environmental testing $\leq 40m\Omega$
- 6、绝缘电阻Insulation resistance: $\geq 100M\Omega$
- 7、耐电压Withstand voltage: 200VAC(rms)
- 8、适用基板厚度Applicable PC board thickness: 1.6mm to 2.0mm

● 安装尺寸 Mounting Measurement

● 立式 Straight Angle



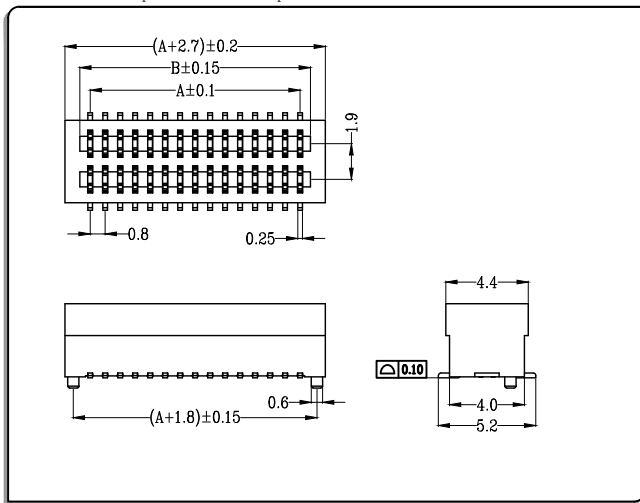
H	H1	H2	H3
4.0	3.0	1.0	1.9
4.5	3.5	1.0	1.9
5.0	4.0	1.0	1.9
5.5	4.5	1.0	1.9
6.0	4.0	2.0	1.9
6.5	4.5	2.0	1.9
7.0	3.0	4.0	1.9
7.5	3.5	4.0	1.9
8.0	4.0	4.0	1.9
8.5	4.5	4.0	1.9

BTB 0.8双槽立贴 0.8mm Pitch

- 针座 Wafer

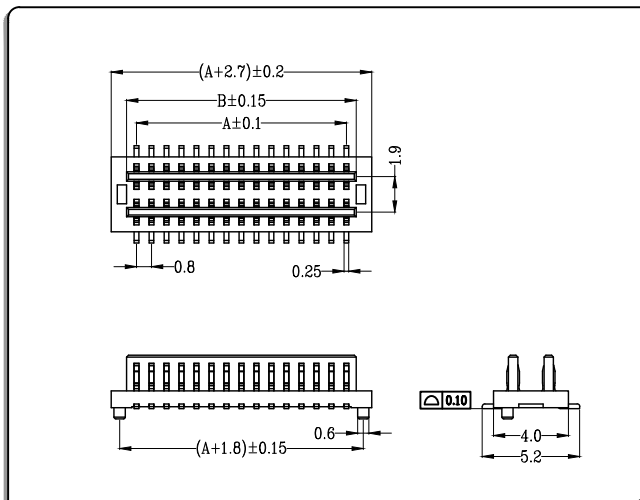
- 材料与表面处理 Material and Finish:

Housing:PA9T UL94V-0 & Terminal:phosphor bronze
Finish:Tin-plated & Gold-plated



- 材料与表面处理 Material and Finish:

Housing:PA9T UL94V-0 & Terminal:phosphor bronze
Finish:Tin-plated & Gold-plated



CKT	Part No	DIM A	DIM B
2*4	BT08***F-08	2.40	3.50
2*5	BT08***F-10	3.20	4.30
2*6	BT08***F-12	4.00	5.10
2*7	BT08***F-14	4.80	5.90
2*8	BT08***F-16	5.60	6.70
2*9	BT08***F-18	6.40	7.50
2*10	BT08***F-20	7.20	8.30
2*11	BT08***F-22	8.00	9.10
2*12	BT08***F-24	8.80	9.90
2*13	BT08***F-26	9.60	10.70
2*14	BT08***F-28	10.40	11.50
---	---	---	---
2*50	BT08***F-100	39.20	40.30

CKT	Part No	DIM A	DIM B
2*4	BT08***M-08	2.40	3.45
2*5	BT08***M-10	3.20	4.25
2*6	BT08***M-12	4.00	5.05
2*7	BT08***M-14	4.80	5.85
2*8	BT08***M-16	5.60	6.65
2*9	BT08***M-18	6.40	7.45
2*10	BT08***M-20	7.20	8.25
2*11	BT08***M-22	8.00	9.05
2*12	BT08***M-24	8.80	9.85
2*13	BT08***M-26	9.60	10.65
2*14	BT08***M-28	10.40	11.45
---	---	---	---
2*50	BT08***M-100	39.20	40.25

BTB
0.8

BTB 0.8双槽立贴 0.8mm Pitch