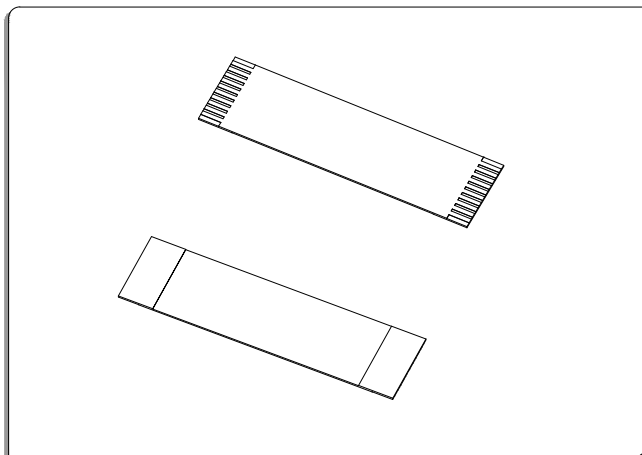


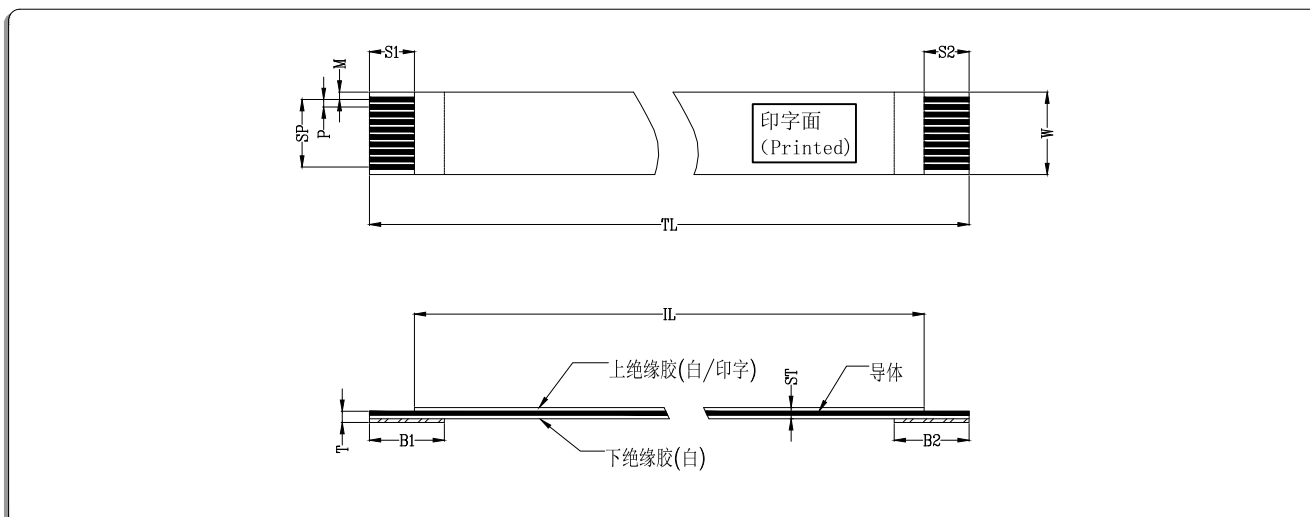
FFC Connector 1.0mm Pitch 同面

FFC
1.0

FFC Connector 1.0mm Pitch



DIMENSION (尺寸)	
NO of conductors (导体数目)	N
Pitch (间距)	P
Span (总间距)	SP
Width (宽度)	W
Margin (边距)	M /
Total length (总长)	TL
Insulator length (绝缘胶长)	IL
Insert Thickness (插接端厚度)	T
Surface Thickness (线身厚度)	ST
Strip Length (裸铜长度)	S1 S2
Supporting Tap length (补强板长度)	B1 B2



CKT	Part No	SP	W	TL
4	A1.0*04*60	3.00	5.00	60
5	A1.0*05*60	4.00	6.00	60
6	A1.0*06*60	5.00	7.00	60
7	A1.0*07*60	6.00	8.00	60
8	A1.0*08*60	7.00	9.00	60
9	A1.0*09*60	8.00	10.00	60
10	A1.0*10*60	9.00	11.00	60
11	A1.0*11*100	10.00	12.00	100
12	A1.0*12*100	11.00	13.00	100
13	A1.0*13*100	12.00	14.00	100
--	--	--	--	--