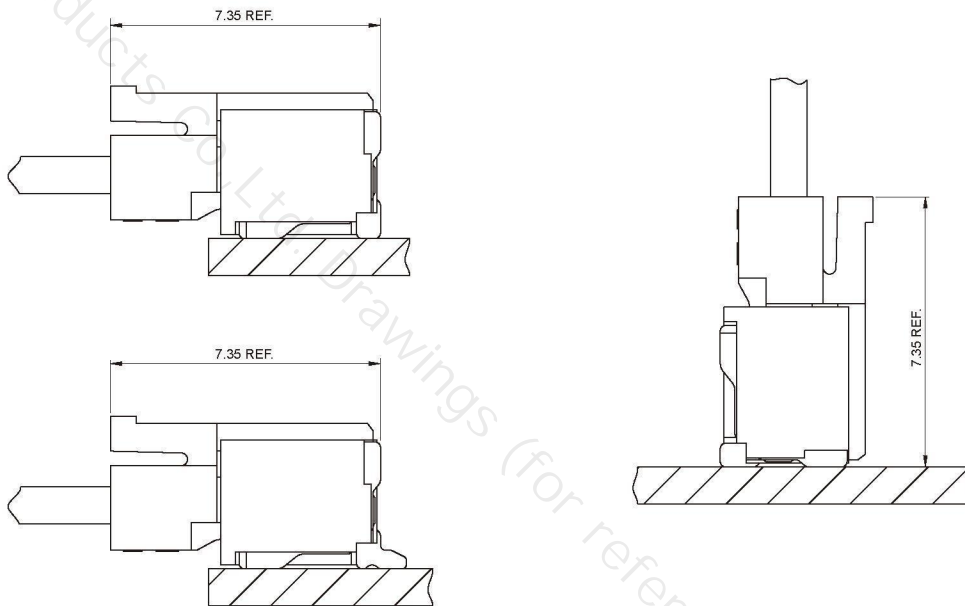


■ **Specifications**

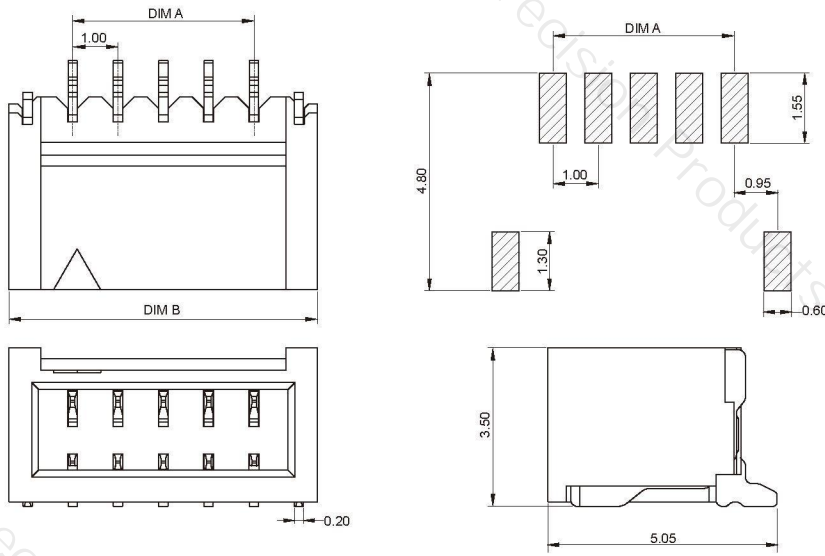
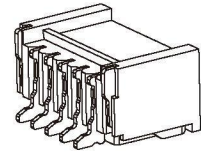
- Contact resistance: $\leq 20m\Omega$
- Insulation resistance: $\geq 1000M\Omega$
- Rated voltage: 125V AC DC
- Rated current: 1.0A AC DC
- Withstand voltage: 1000V AC/minute
- Temperature range: $-25^{\circ}C \sim +85^{\circ}C$

■ **Assembly Layout**



A1007AWR (1.00mm pitch 90°Wafer SMT TYPE)

- Reference Information:
- Material: Pin: Phosphor Bronze/Tin-plated
- Solder Tabs: Phosphor Bronze/Tin-plated
- Wafer: PA6T,UL94V-0
- Mates with A1004 series Housing

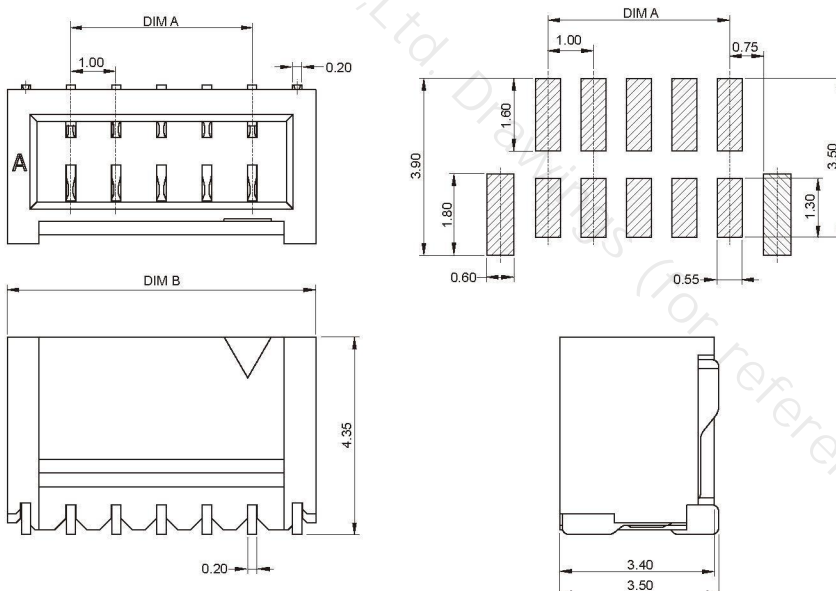
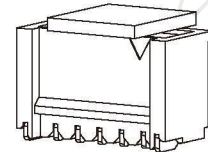


Ordering Information & Dimensions:

Circuit	Dimensions(mm)	
	A	B
02	1.00	3.80
03	2.00	4.80
04	3.00	5.80
05	4.00	6.80
06	5.00	7.80
07	6.00	8.80
08	7.00	9.80
09	8.00	10.80
10	9.00	11.80
11	10.00	12.80
12	11.00	13.80
13	12.00	14.80
14	13.00	15.80
15	14.00	16.80
16	15.00	17.80
17	16.00	18.80
18	17.00	19.80
19	18.00	20.80
20	19.00	21.80

A1007AWV (1.00mm pitch 180°Wafer SMT TYPE)

- Reference Information:
- Material: Pin: Phosphor Bronze/Tin-plated
- Solder Tabs: Phosphor Bronze/Tin-plated
- Wafer: PA6T,UL94V-0
- Mates with A1004 series Housing



Ordering Information & Dimensions:

Circuit	Dimensions(mm)	
	A	B
02	1.00	3.80
03	2.00	4.80
04	3.00	5.80
05	4.00	6.80
06	5.00	7.80
07	6.00	8.80
08	7.00	9.80
09	8.00	10.80
10	9.00	11.80
11	10.00	12.80
12	11.00	13.80
13	12.00	14.80
14	13.00	15.80
15	14.00	16.80
16	15.00	17.80
17	16.00	18.80
18	17.00	19.80
19	18.00	20.80
20	19.00	21.80