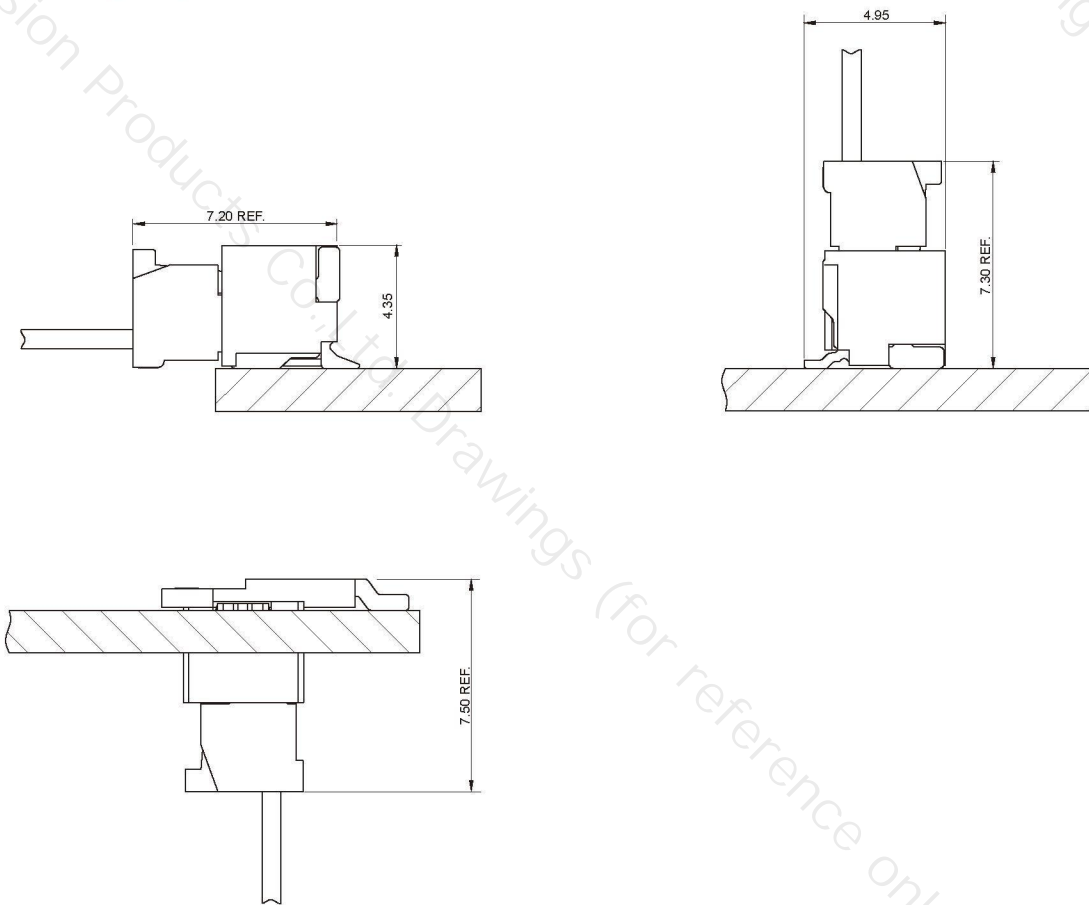


■ Specifications

- Contact resistance: $\leq 20m\Omega$
- Insulation resistance: $\geq 100M\Omega$
- Rated voltage: 50V AC DC
- Rated current: 1.0A AC DC
- Withstand voltage: 500V AC/minute
- Temperature range: $-25^{\circ}C \sim +85^{\circ}C$

■ Assembly Layout



WIRE TO BOARD

BOARD TO BOARD

WIRE TO WIRE

FPC SERIES

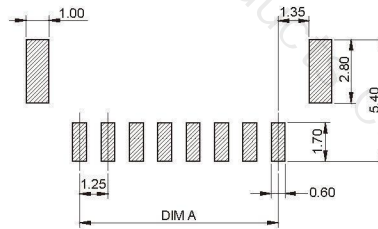
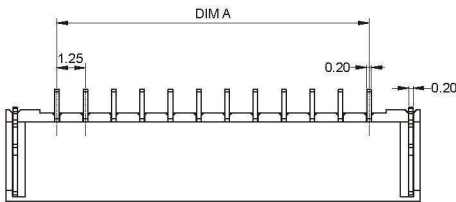
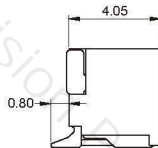
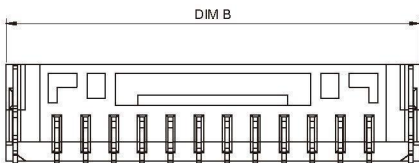
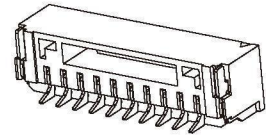
THR SERIES

LIGHTING SERIES

OTHER SERIES

A1253AWR (1.25mm pitch 90°Wafer SMT TYPE)

- Reference Information:
- Material: Pin: Phosphor Bronze/Tin-plated
- Solder Tabs: Phosphor Bronze/Tin-plated
- Wafer: LCP,UL94V-0
- Mates with A1253 series Housing

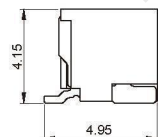
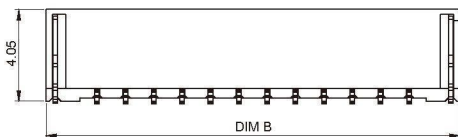
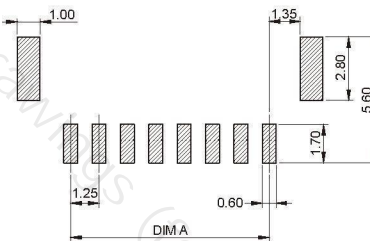
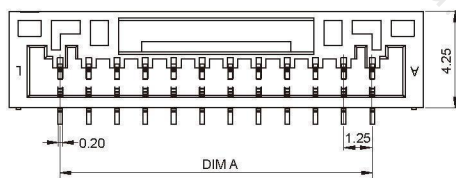
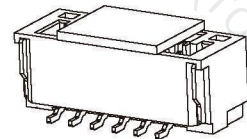


Ordering Information & Dimensions:

| Circuit | Dimensions(mm) | |
|---------|----------------|-------|
| | A | B |
| 02 | 1.25 | 5.75 |
| 03 | 2.50 | 7.00 |
| 04 | 3.75 | 8.25 |
| 05 | 5.00 | 9.50 |
| 06 | 6.25 | 10.75 |
| 07 | 7.50 | 12.00 |
| 08 | 8.75 | 13.25 |
| 09 | 10.00 | 14.50 |
| 10 | 11.25 | 15.75 |
| 11 | 12.50 | 17.00 |
| 12 | 13.75 | 18.25 |
| 13 | 15.00 | 19.50 |
| 14 | 16.25 | 20.75 |
| 15 | 17.50 | 22.00 |

A1253AWV (1.25mm pitch 180°Wafer SMT TYPE)

- Reference Information:
- Material: Pin: Phosphor Bronze/Tin-plated
- Solder Tabs: Phosphor Bronze/Tin-plated
- Wafer: LCP,UL94V-0
- Mates with A1253 series Housing



Ordering Information & Dimensions:

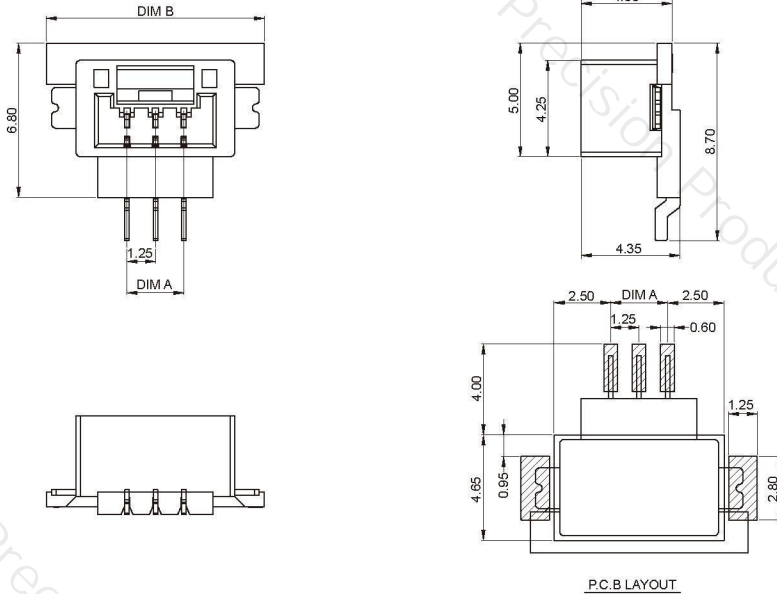
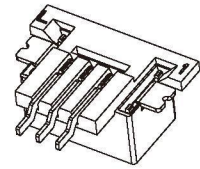
| Circuit | Dimensions(mm) | |
|---------|----------------|-------|
| | A | B |
| 02 | 1.25 | 5.75 |
| 03 | 2.50 | 7.00 |
| 04 | 3.75 | 8.25 |
| 05 | 5.00 | 9.50 |
| 06 | 6.25 | 10.75 |
| 07 | 7.50 | 12.00 |
| 08 | 8.75 | 13.25 |
| 09 | 10.00 | 14.50 |
| 10 | 11.25 | 15.75 |
| 11 | 12.50 | 17.00 |
| 12 | 13.75 | 18.25 |
| 13 | 15.00 | 19.50 |
| 14 | 16.25 | 20.75 |
| 15 | 17.50 | 22.00 |

A1253 SERIES

1.25mm pitch wire to board connector

A1253FWV (1.25mm pitch 180°Wafer SMT TYPE)

- Material: Pin: Phosphor Bronze/Tin-plated
Solder Tabs: Phosphor Bronze/Tin-plated
Wafer: LCP,UL94V-0
Mates with A1253 series Housing

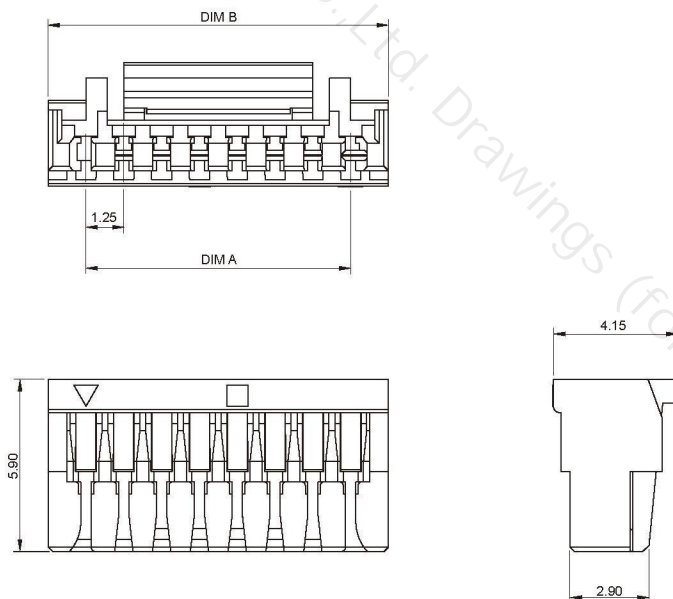
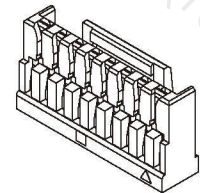


Ordering Information & Dimensions:

| Circuit | Dimensions(mm) | |
|---------|----------------|-------|
| | A | B |
| 02 | 1.25 | 8.35 |
| 03 | 2.50 | 9.60 |
| 04 | 3.75 | 10.85 |
| 05 | 5.00 | 12.10 |
| 06 | 6.25 | 13.35 |
| 07 | 7.50 | 14.60 |
| 08 | 8.75 | 15.85 |
| 09 | 10.00 | 17.10 |
| 10 | 11.25 | 18.35 |
| 11 | 12.50 | 19.60 |
| 12 | 13.75 | 20.85 |
| 13 | 15.00 | 22.10 |
| 14 | 16.25 | 23.35 |
| 15 | 17.50 | 24.60 |

A1253Y (1.25mm pitch Housing)

- Reference Information:
Material: PA66,UL94V-0(2)
Mates with A1253 series Wafer



Ordering Information & Dimensions:

| Circuit | Dimensions(mm) | |
|---------|----------------|-------|
| | A | B |
| 02 | 1.25 | 5.75 |
| 03 | 2.50 | 7.00 |
| 04 | 3.75 | 8.25 |
| 05 | 5.00 | 9.50 |
| 06 | 6.25 | 10.75 |
| 07 | 7.50 | 12.00 |
| 08 | 8.75 | 13.25 |
| 09 | 10.00 | 14.50 |
| 10 | 11.25 | 15.75 |
| 11 | 12.50 | 17.00 |
| 12 | 13.75 | 18.25 |
| 13 | 15.00 | 19.50 |
| 14 | 16.25 | 20.75 |
| 15 | 17.50 | 22.00 |

WIRE TO BOARD

BOARD TO BOARD

WIRE TO WIRE

FPC SERIES

1.25mm THRU SERIES

LIGHTING SERIES

OTHER SERIES

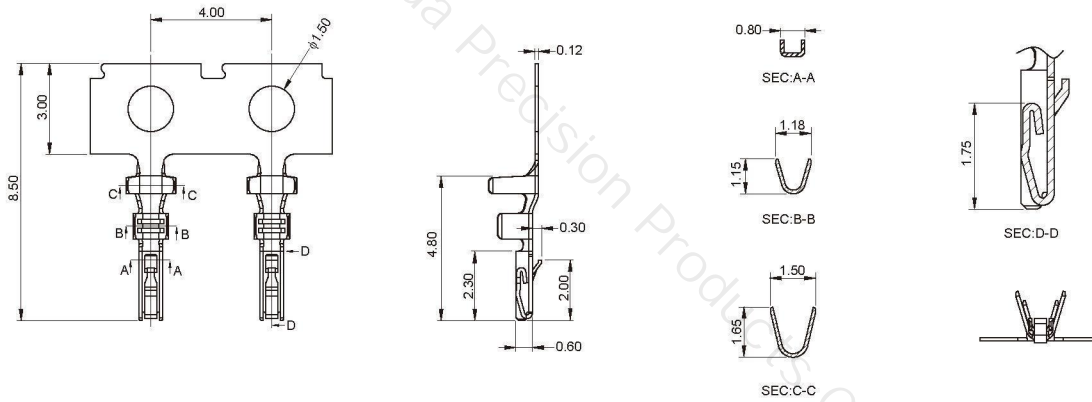
A1253 SERIES

1.25mm pitch wire to board connector

A1253T (1.25mm pitch Terminal)

■ Reference Information:

Used in A1253 series Housing



Ordering Information & Dimensions:

| Part No | Wire Range | Insulation O.D. | Material | Finish | Qty/Reel |
|---------|-------------|-----------------|-----------------|------------|----------|
| A1253T | AWG #26~#30 | 1.00mm(max) | Phosphor bronze | Tin-plated | 25000PCS |