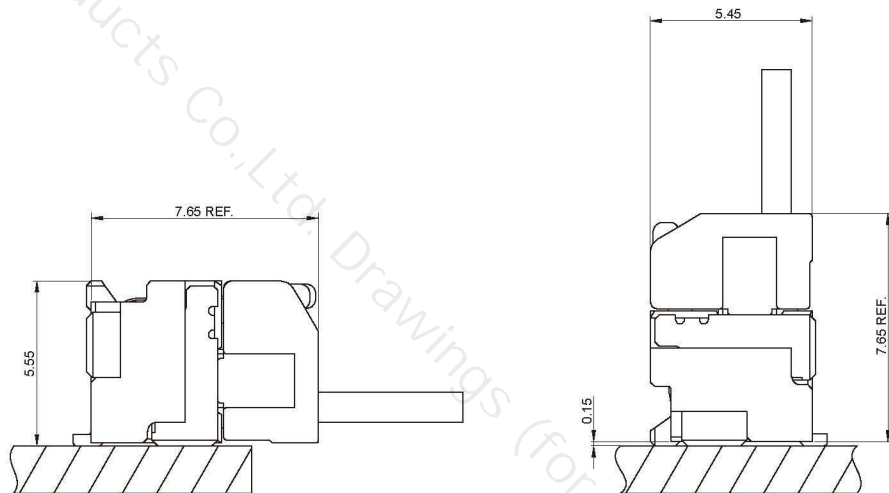


■ **Specifications**

- Contact resistance: $\leq 20\text{m}\Omega$
- Insulation resistance: $\geq 100\text{M}\Omega$
- Rated voltage: 50V AC DC
- Rated current: 1.0A AC DC
- Withstand voltage: 500V AC/minute
- Temperature range: $-25^{\circ}\text{C} \sim +85^{\circ}\text{C}$

■ **Assembly Layout**

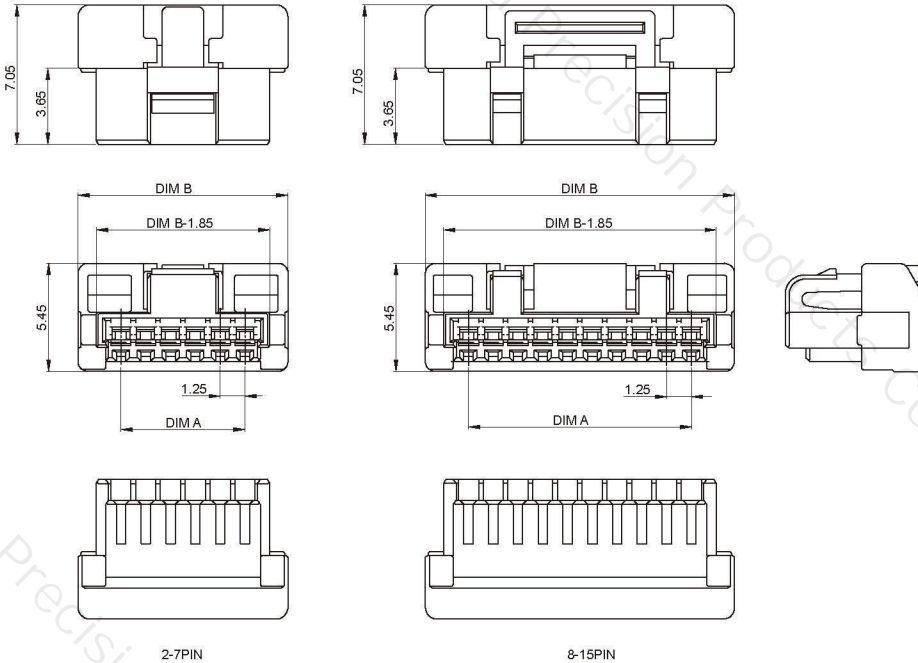
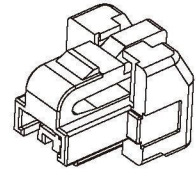


A12512 SERIES

1.25mm pitch wire to board connector

A12512Y (1.25mm pitch Housing)

- Reference Information:
- Material: PA66,UL94V-0(2)
- Mates with A12512 series Wafer

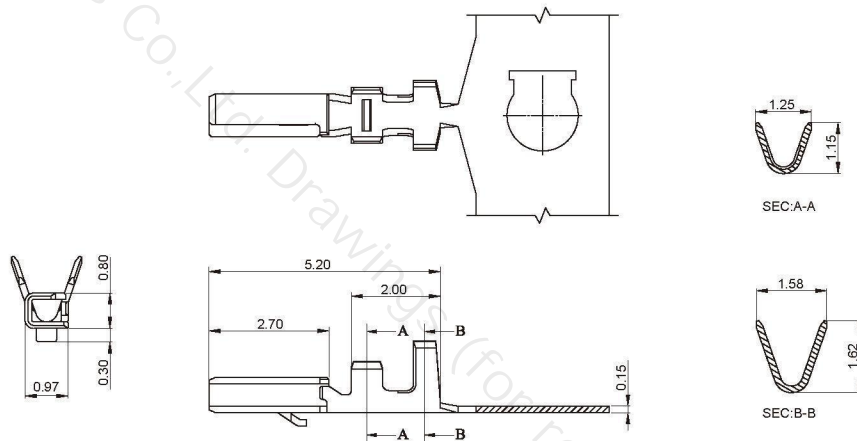


Ordering Information & Dimensions:

Circuit	Dimensions(mm)	
	A	B
02	1.25	5.60
03	2.50	6.85
04	3.75	8.10
05	5.00	9.35
06	6.25	10.60
07	7.50	11.85
08	8.75	13.10
09	10.00	14.35
10	11.25	15.60
11	12.50	16.85
12	13.75	18.10
13	15.00	19.35
14	16.25	20.60
15	17.50	21.85

A12512T (1.25mm pitch Terminal)

- Reference Information:
- Used in A12512 series Housing



Ordering Information & Dimensions:

Part No	Wire Range	Insulation O.D.	Material	Finish	Qty/Reel
A12512T	AWG #26~#28	0.90mm(max)	Phosphor bronze	Tin-plated	/