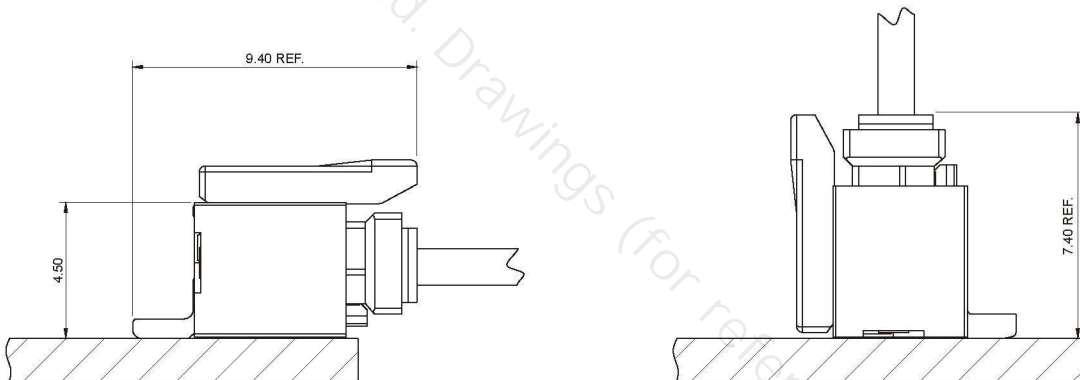


■ **Specifications**

- Contact resistance:  $\leq 20\text{m}\Omega$
- Insulation resistance:  $\geq 1000\text{M}\Omega$
- Rated voltage: 350V AC DC
- Rated current: 3.0A AC DC
- Withstand voltage: 500V AC/minute
- Temperature range:  $-40^{\circ}\text{C} \sim +105^{\circ}\text{C}$

■ **Assembly Layout**

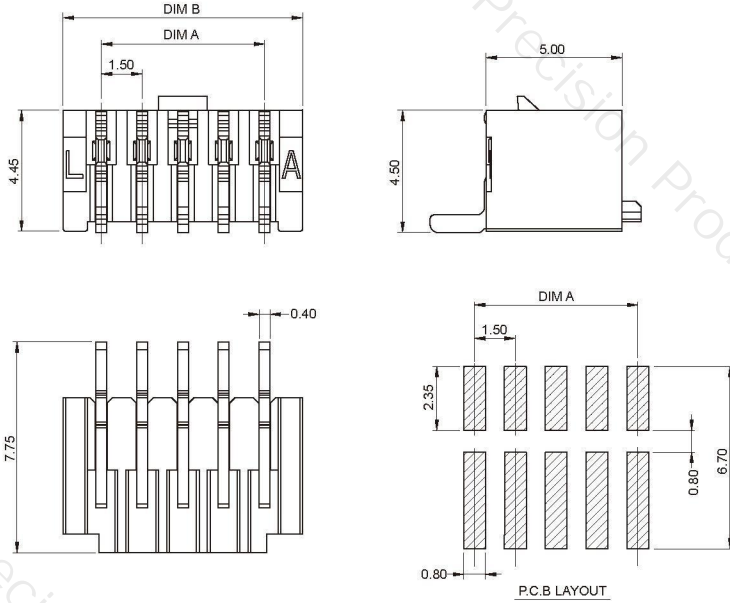
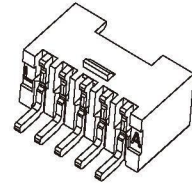


# A1505 SERIES

1.50mm pitch wire to board connector

## A1505AWR (1.50mm pitch 90°Wafer SMT TYPE)

- Reference Information:
- Material: Pin: Phosphor Bronze/Tin-plated
- Wafer: LCP,UL94V-0
- Mates with A1505 series Housing

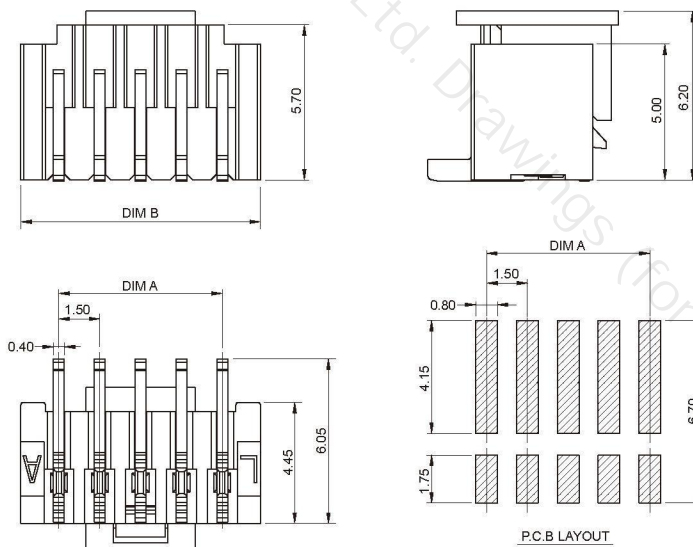
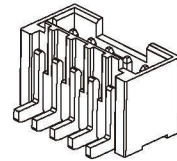


### Ordering Information & Dimensions:

Circuit	Dimensions(mm)	
	A	B
02	1.50	4.30
03	3.00	5.80
04	4.50	7.30
05	6.00	8.80
06	7.50	10.30
07	9.00	11.80
08	10.50	13.30
09	12.00	14.80
10	13.50	16.30
11	15.00	17.80
12	16.50	19.30
13	18.00	20.80
14	19.50	22.30
15	21.00	23.80

## A1505AWV (1.50mm pitch 180°Wafer SMT TYPE)

- Reference Information:
- Material: Pin: Phosphor Bronze/Tin-plated
- Wafer: LCP,UL94V-0
- Mates with A1505 series Housing



### Ordering Information & Dimensions:

Circuit	Dimensions(mm)	
	A	B
02	1.50	4.30
03	3.00	5.80
04	4.50	7.30
05	6.00	8.80
06	7.50	10.30
07	9.00	11.80
08	10.50	13.30
09	12.00	14.80
10	13.50	16.30
11	15.00	17.80
12	16.50	19.30
13	18.00	20.80
14	19.50	22.30
15	21.00	23.80

WIRE TO BOARD

BOARD TO BOARD

WIRE TO WIRE

FPC SERIES

THR SERIES

LIGHTING SERIES

OTHER SERIES

# A1505 SERIES

1.50mm pitch wire to board connector

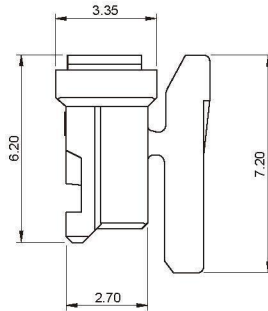
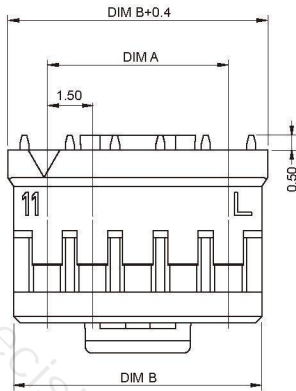
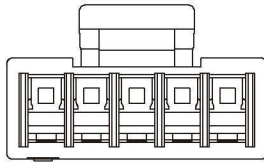
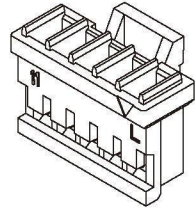
## A1505Y (1.50mm pitch Housing)

■ Reference Information:

Material: PA66, UL94V-0(2)

Suitable A1504 series terminal

Mates with A1505 series Wafer



Ordering Information & Dimensions:

Circuit	Dimensions(mm)	
	A	B
02	1.50	3.70
03	3.00	5.20
04	4.50	6.70
05	6.00	8.20
06	7.50	9.70
07	9.00	11.20
08	10.50	12.70
09	12.00	14.20
10	13.50	15.70
11	15.00	17.20
12	16.50	18.70
13	18.00	20.20
14	19.50	21.70
15	21.00	23.20