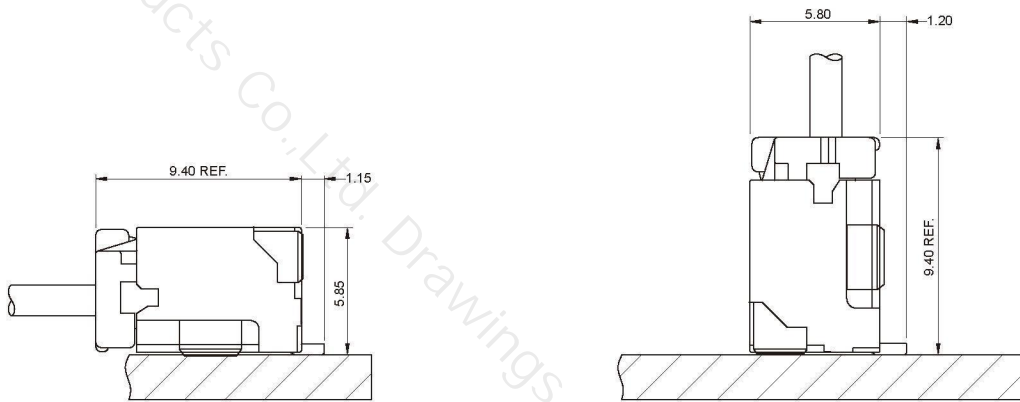


■ **Specifications**

- Contact resistance:  $\leq 20\text{m}\Omega$
- Insulation resistance:  $\geq 500\text{M}\Omega$
- Rated voltage: 100V AC DC
- Rated current: 2.0A AC DC
- Withstand voltage: 500V AC/minute
- Temperature range:  $-40^{\circ}\text{C} \sim +105^{\circ}\text{C}$

■ **Assembly Layout**

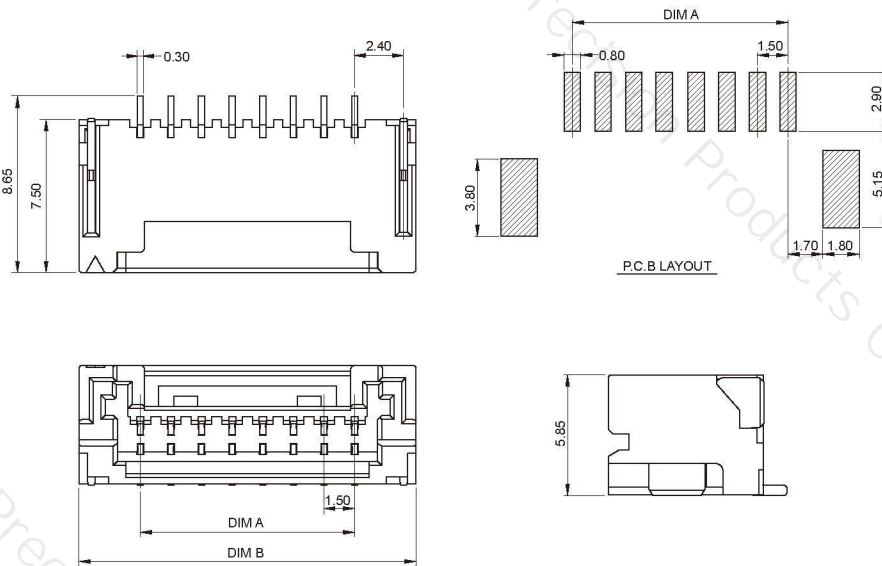
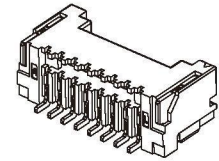


# A1507 SERIES

1.50mm pitch wire to board connector

## A1507AWR (1.50mm pitch 90°Wafer SMT TYPE)

- Reference Information:
  - Material: Pin: Phosphor Bronze/Tin-plated
  - Solder Tabs: Brass/Tin-plated
  - Wafer: PA9T,UL94V-0
  - Mates with A1507 series Housing

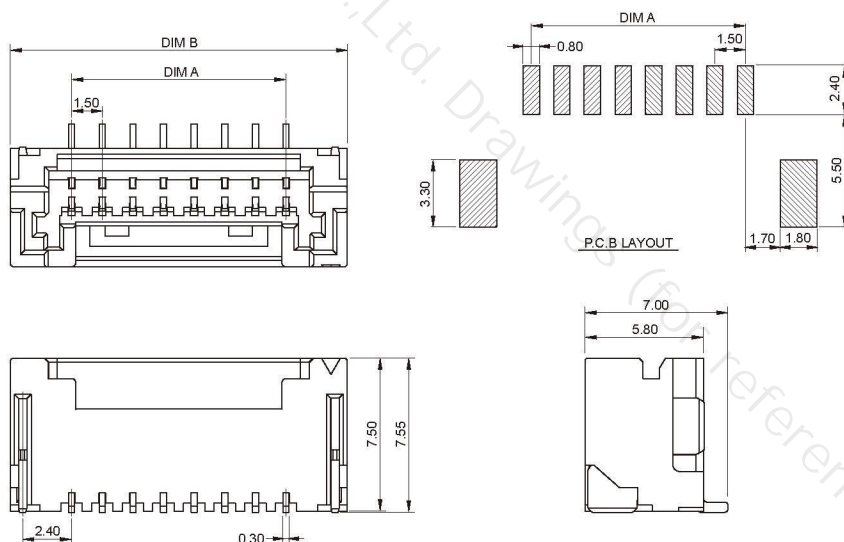
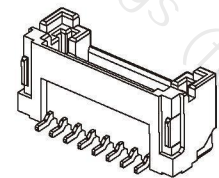


### Ordering Information & Dimensions:

Circuit	Dimensions(mm)	
	A	B
02	1.50	7.50
03	3.00	9.50
04	4.50	10.50
05	6.00	12.00
06	7.50	13.50
07	9.00	15.00
08	10.50	16.50
09	12.00	18.00
10	13.50	19.50
11	15.00	21.00
12	16.50	22.50
13	18.00	24.00
14	19.50	25.50
15	21.00	27.00
16	22.50	28.50

## A1507AWV (1.50mm pitch 180°Wafer SMT TYPE)

- Reference Information:
  - Material: Pin: Phosphor Bronze/Tin-plated
  - Solder Tabs: Brass/Tin-plated
  - Wafer: PA9T,UL94V-0
  - Mates with A1507 series Housing



### Ordering Information & Dimensions:

Circuit	Dimensions(mm)	
	A	B
02	1.50	7.50
03	3.00	9.50
04	4.50	10.50
05	6.00	12.00
06	7.50	13.50
07	9.00	15.00
08	10.50	16.50
09	12.00	18.00
10	13.50	19.50
11	15.00	21.00
12	16.50	22.50
13	18.00	24.00
14	19.50	25.50
15	21.00	27.00
16	22.50	28.50

WIRE TO BOARD

BOARD TO BOARD

WIRE TO WIRE

FPC SERIES

THR SERIES

LIGHTING SERIES

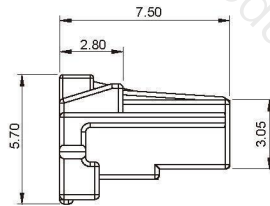
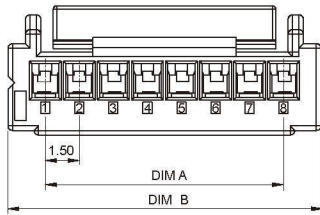
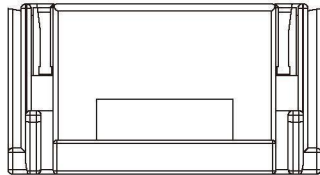
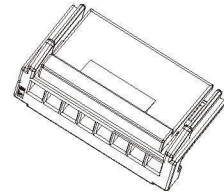
OTHER SERIES

# A1507 SERIES

1.50mm pitch wire to board connector

## A1507Y (1.50mm pitch Housing)

- Reference Information:  
Material: PA66,UL94V-0(2)  
Mates with A1507 series Wafer

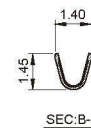
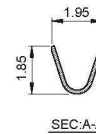
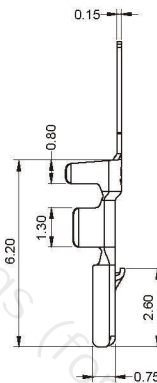
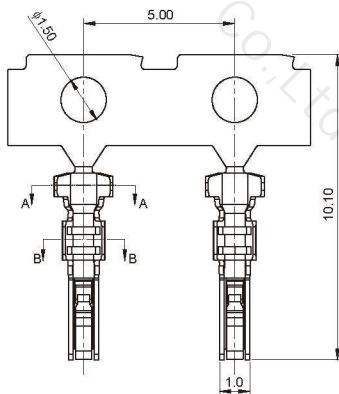


### Ordering Information & Dimensions:

Circuit	Dimensions(mm)	
	A	B
02	1.50	5.00
03	3.00	6.30
04	4.50	7.80
05	6.00	9.30
06	7.50	10.80
07	9.00	12.30
08	10.50	13.80
09	12.00	15.30
10	13.50	16.80
11	15.00	18.30
12	16.50	19.80
13	18.00	21.30
14	19.50	22.80
15	21.00	24.30
16	22.50	25.80

## A1507T (1.50mm pitch Terminal)

- Reference Information:  
Used in A1507 series Housing



### Ordering Information & Dimensions:

Part No	Wire Range	Insulation O.D.	Material	Finish	Qty/Reel
A1507T	AWG #24~#28	1.30mm(max)	Phosphor bronze	Tin-plated	10000PCS