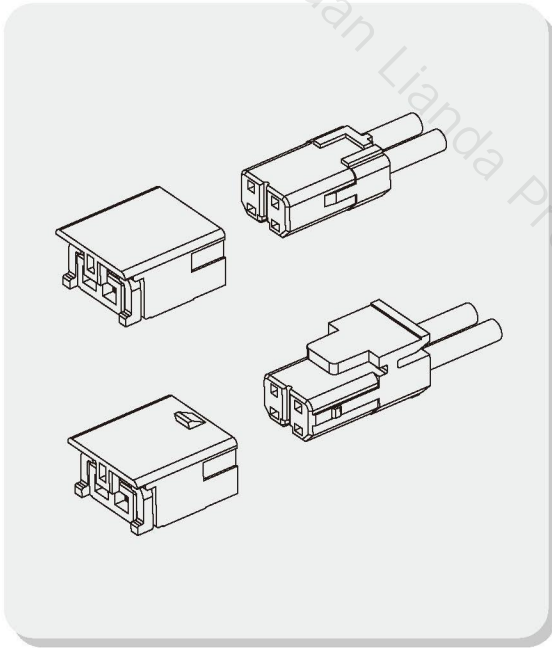


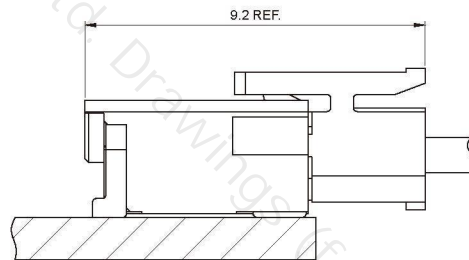
A1801/A1802 SERIES 1.80mm pitch wire to board connector



■ Specifications

- Contact resistance: $\leq 10\text{m}\Omega$
- Insulation resistance: $\geq 1000\text{M}\Omega$
- Rated voltage: 350V AC DC
- Rated current: 4.0A AC DC
- Withstand voltage: 1700V AC/minute
- Temperature range: $-40^{\circ}\text{C} \sim +105^{\circ}\text{C}$

■ Assembly Layout



A1801/A1802 SERIES 1.80mm pitch wire to board connector

A1801AWR (1.80mm pitch 90°Wafer SMT TYPE)

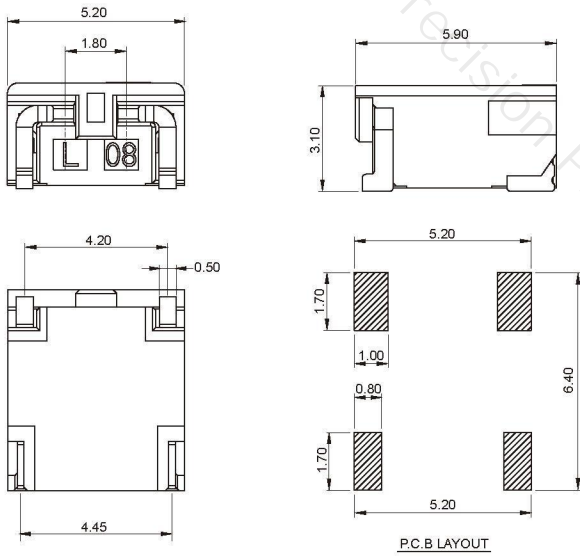
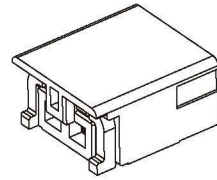
■ Reference Information:

Material: Pin: Phosphor Bronze/Tin-plated

Solder Tabs: Phosphor Bronze/Tin-plated

Wafer: LCP,UL94V-0

Mates with A1801 series Housing



A1802AWR (1.80mm pitch 90°Wafer SMT TYPE)

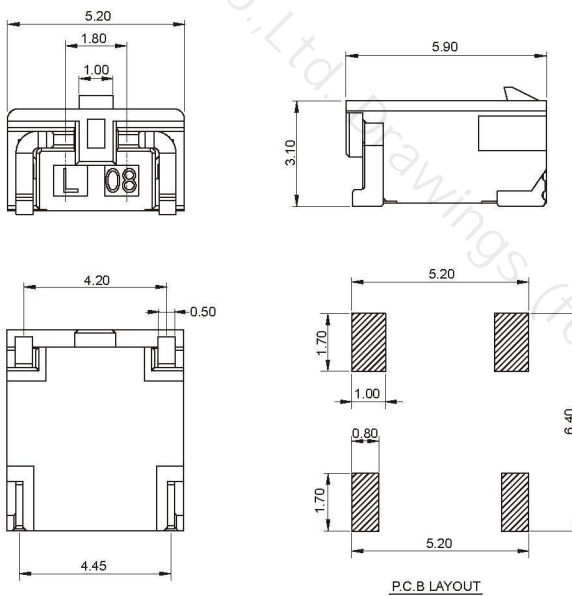
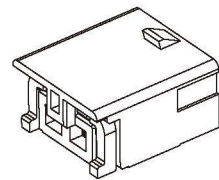
■ Reference Information:

Material: Pin: Phosphor Bronze/Tin-plated

Solder Tabs: Phosphor Bronze/Tin-plated

Wafer: LCP,UL94V-0

Mates with A1802 series Housing



WIRE TO BOARD

BOARD TO BOARD

WIRE TO WIRE

FPC SERIES

1.8MM SERIES

LIGHTING SERIES

OTHER SERIES

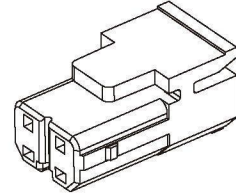
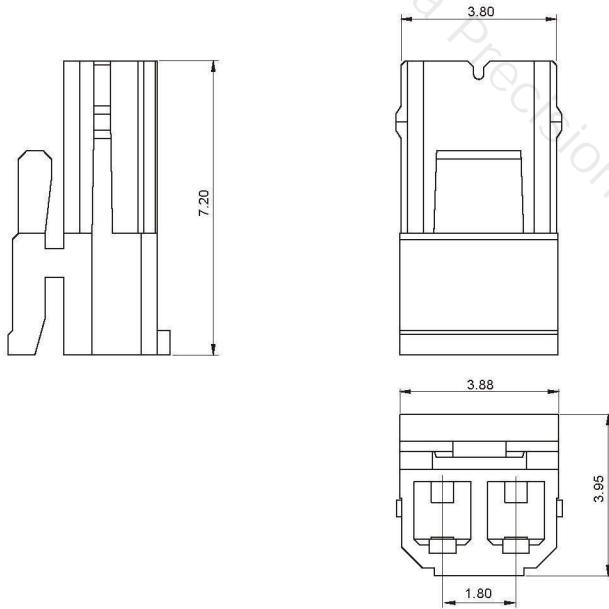
A1801/A1802 SERIES 1.80mm pitch wire to board connector

A1802Y-02 (1.80mm pitch Housing)

■ Reference Information:

Material: PA66,UL94V-0(2)

Mates with A1802 series Wafer

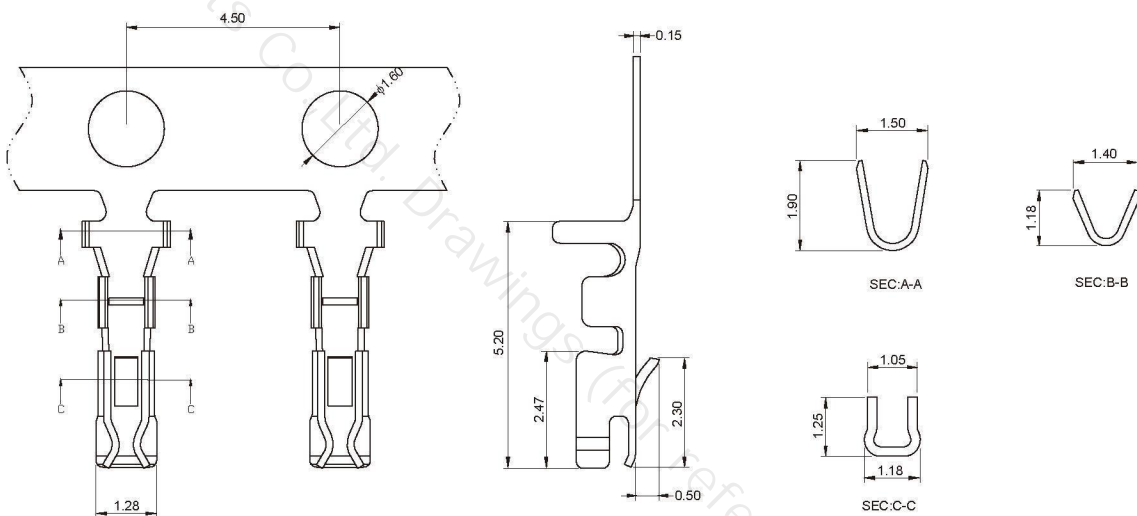


A1801T (1.80mm pitch Terminal)

■ Reference Informations:

Used in A1801 series Housing

Used in A1802 series Housing



Ordering Information & Dimensions:

Part No	Wire Range	Insulation O.D.	Material	Finish	Qty/Reel
A1801T	AWG #18~#24	2.70mm(max)	Phosphor bronze	Tin-plated	20000PCS