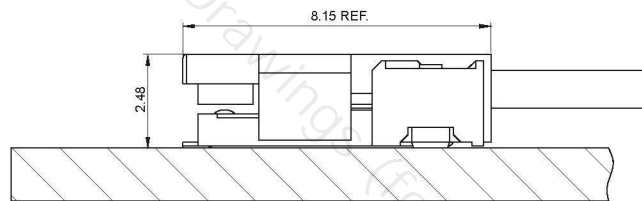


■ **Specifications**

- Contact resistance: $\leq 20\text{m}\Omega$
- Insulation resistance: $\geq 1000\text{M}\Omega$
- Rated voltage: 230V AC DC
- Rated current: 3.0A AC DC
- Withstand voltage: 650V AC/minute
- Temperature range: $-40^{\circ}\text{C} \sim +105^{\circ}\text{C}$

■ **Assembly Layout**



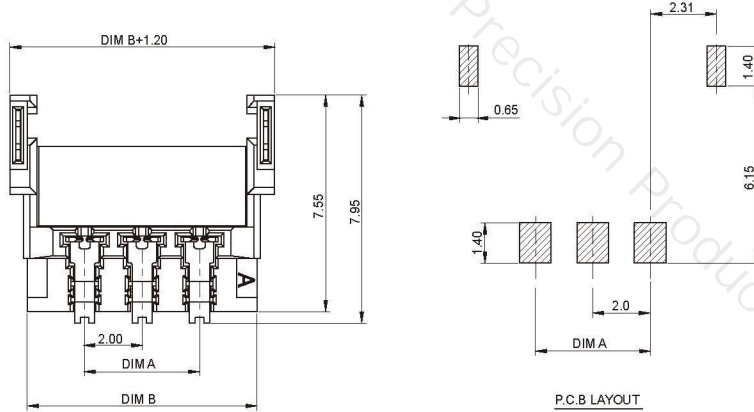
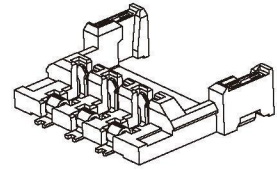
A2012 SERIES

2.00mm pitch wire to board connector

A2012AWR (2.00mm pitch 90°Wafer SMT TYPE)

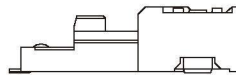
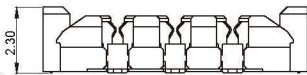
■ Reference Information:

Material: Pin: Phosphor Bronze/Tin-plated
 Solder Tabs: Phosphor Bronze/Tin-plated
 Wafer: LCP,UL94V-0
 Mates with A2012 series Housing



Ordering Information & Dimensions:

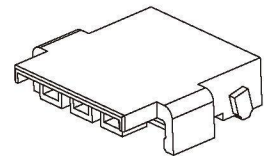
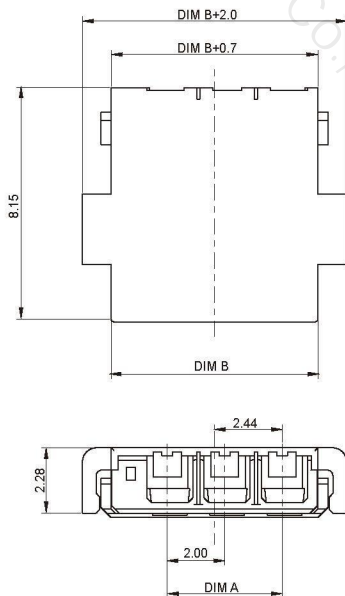
Circuit	Dimensions(mm)	
	A	B
02	2.00	6.00
03	4.00	8.00
04	6.00	10.00



A2012Y (2.00mm pitch Housing)

■ Reference Information:

Material: PBT,UL94V-0
 Mates with A2012 series Wafer



Ordering Information & Dimensions:

Circuit	Dimensions(mm)	
	A	B
02	2.00	5.20
03	4.00	7.20
04	6.00	9.20

WIRE TO BOARD

BOARD TO BOARD

WIRE TO WIRE

FPC SERIES

THR SERIES

LIGHTING SERIES

OTHER SERIES

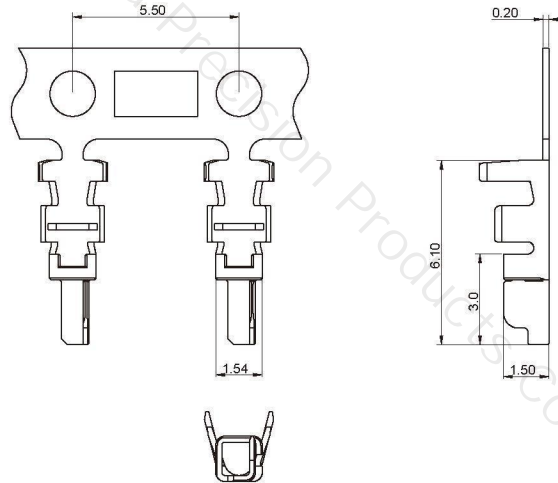
A2012 SERIES

2.00mm pitch wire to board connector

A2012T (2.00mm pitch Terminal)

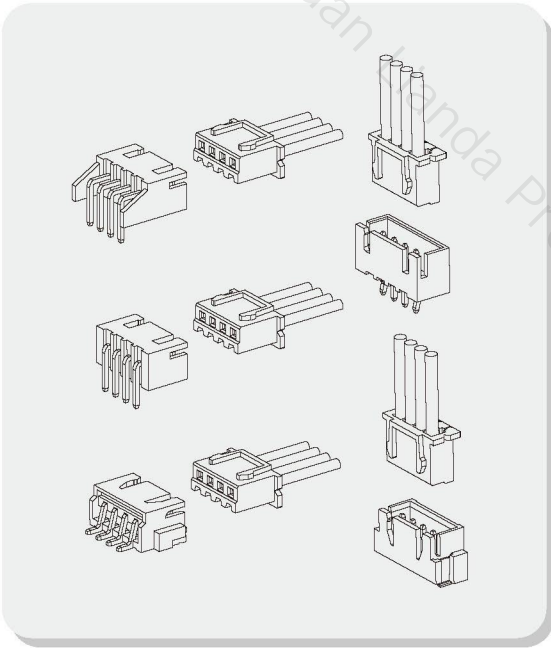
■ Reference Information:

Used in A2012 series Housing



Ordering Information & Dimensions:

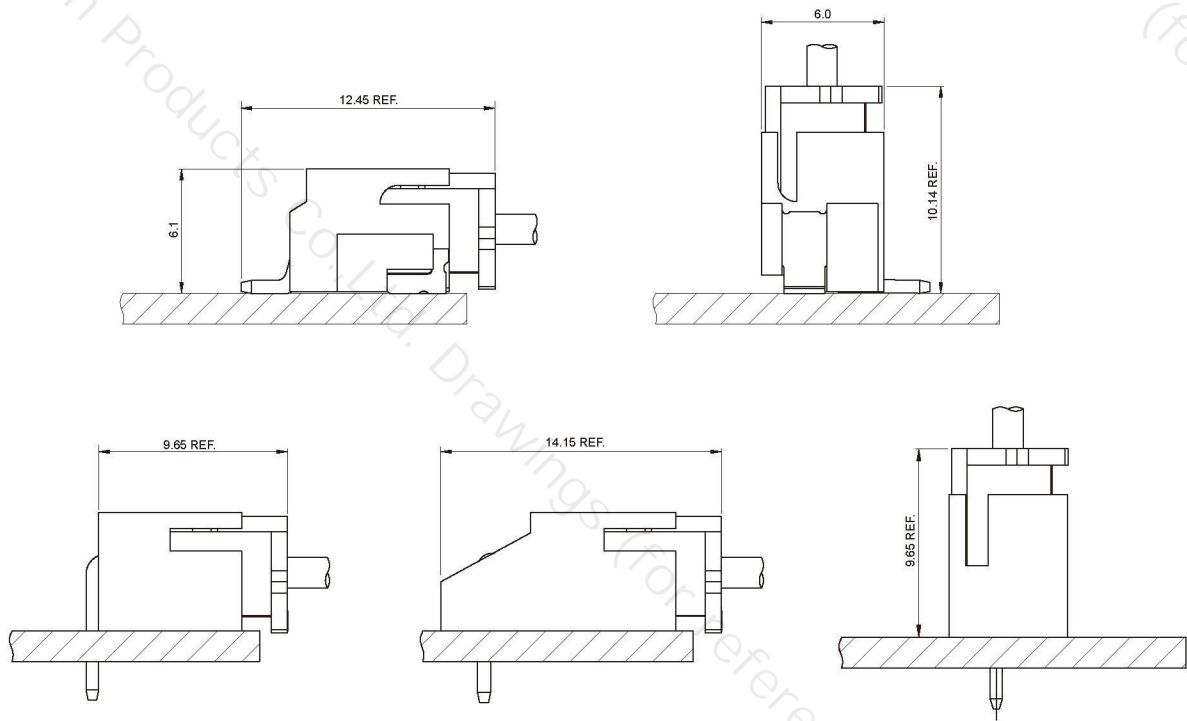
Part No	Wire Range	Insulation O.D.	Material	Finish	Qty/Reel
A2012T	AWG #22	1.38mm(max)	Phosphor bronze	Tin-plated	1



Specifications

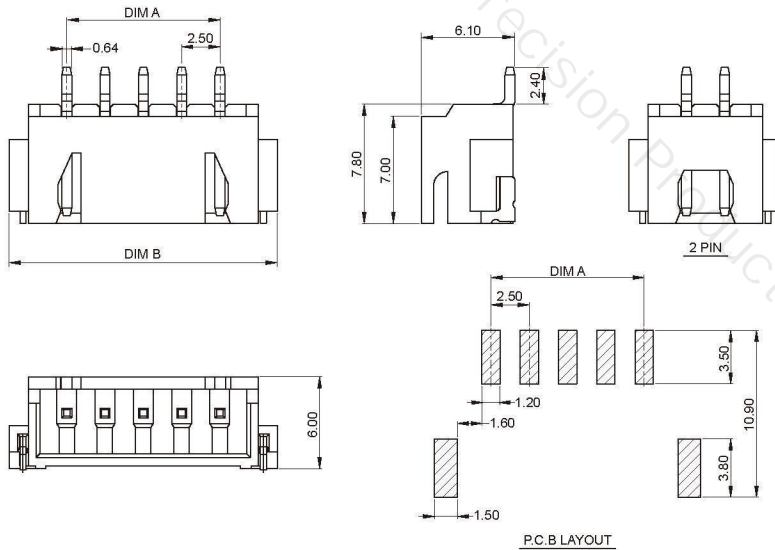
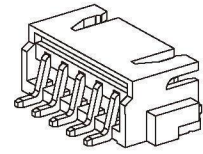
- Contact resistance: $\leq 20m\Omega$
- Insulation resistance: $\geq 1000M\Omega$
- Rated voltage: 250V AC DC
- Rated current: 3.0A AC DC
- Withstand voltage: 1000V AC/minute
- Temperature range: $-25^{\circ}C \sim +85^{\circ}C$

Assembly Layout



A2501AWR (2.50mm pitch 90°Wafer SMT TYPE)

- Reference Information:
- Material: Pin: Brass/Tin-plated
- Solder Tabs: Brass/Tin-plated
- Wafer: LCP,UL94V-0
- Mates with A2501 series Housing

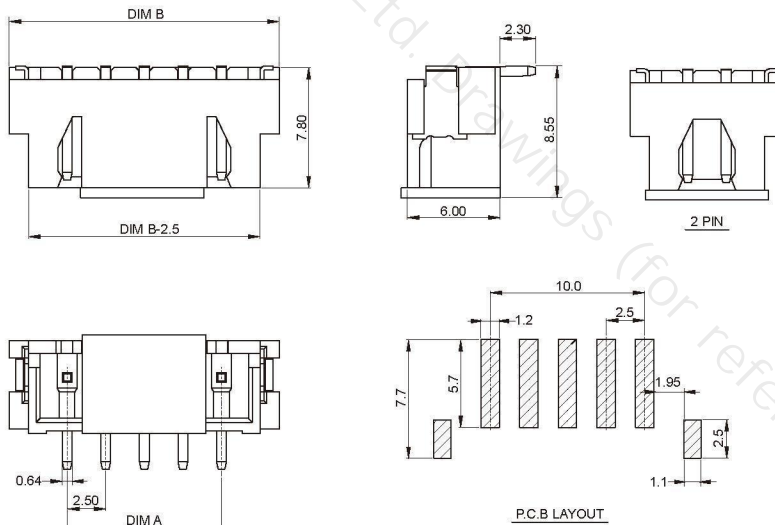
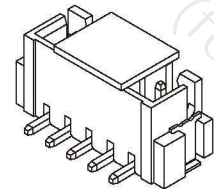


Ordering Information & Dimensions:

Circuit	Dimensions(mm)	
	A	B
02	2.50	10.00
03	5.00	12.50
04	7.50	15.00
05	10.00	17.50
06	12.50	20.00
07	15.00	22.50
08	17.50	25.00
09	20.00	27.50
10	22.50	30.00
11	25.00	32.50
12	27.50	35.00
13	30.00	37.50
14	32.50	40.00
15	35.00	42.50
16	37.50	45.00

A2501AWV (2.50mm pitch 180°Wafer SMT TYPE)

- Reference Information:
- Material: Pin: Brass/Tin-plated
- Solder Tabs: Phosphor Bronze/Tin-plated
- Wafer: LCP,UL94V-0
- Mates with A2501 series Housing



Ordering Information & Dimensions:

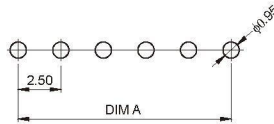
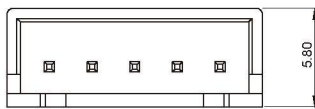
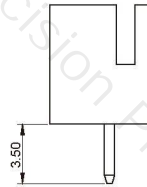
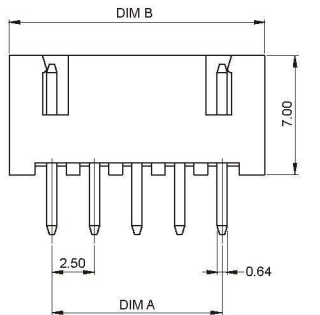
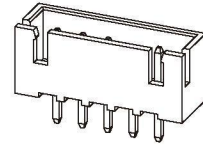
Circuit	Dimensions(mm)	
	A	B
02	2.50	10.00
03	5.00	12.50
04	7.50	15.00
05	10.00	17.50
06	12.50	20.00
07	15.00	22.50
08	17.50	25.00
09	20.00	27.50
10	22.50	30.00
11	25.00	32.50
12	27.50	35.00
13	30.00	37.50
14	32.50	40.00
15	35.00	42.50
16	37.50	45.00

A2501 SERIES

2.50mm pitch wire to board connector

A2501A (2.50mm pitch 180°Wafer DIP TYPE)

- Reference Information:
- Material: Pin: Brass/Tin-plated
- Wafer: PA66,UL94V-0(2)
- Mates with A2501 series Housing



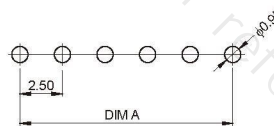
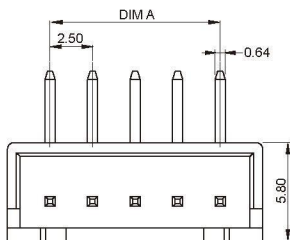
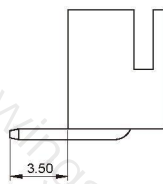
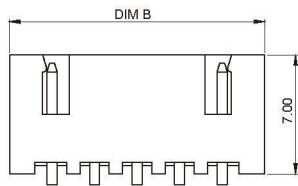
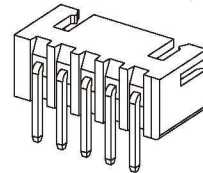
P.C.B LAYOUT

Ordering Information & Dimensions:

Circuit	Dimensions(mm)	
	A	B
02	2.50	7.50
03	5.00	10.00
04	7.50	12.50
05	10.00	15.00
06	12.50	17.50
07	15.00	20.00
08	17.50	22.50
09	20.00	25.00
10	22.50	27.50
11	25.00	30.00
12	27.50	32.50
13	30.00	35.00
14	32.50	37.50
15	35.00	40.00
16	37.50	42.50

A2501AW (2.50mm pitch 90°Wafer DIP TYPE)

- Reference Information:
- Material: Pin: Brass/Tin-plated
- Wafer: PA66,UL94V-0(2)
- Mates with A2501 series Housing



P.C.B LAYOUT

Ordering Information & Dimensions:

Circuit	Dimensions(mm)	
	A	B
02	2.50	7.50
03	5.00	10.00
04	7.50	12.50
05	10.00	15.00
06	12.50	17.50
07	15.00	20.00
08	17.50	22.50
09	20.00	25.00
10	22.50	27.50
11	25.00	30.00
12	27.50	32.50
13	30.00	35.00
14	32.50	37.50
15	35.00	40.00
16	37.50	42.50

WIRE TO BOARD

BOARD TO BOARD

WIRE TO WIRE

FPC SERIES

THR SERIES

LIGHTING SERIES

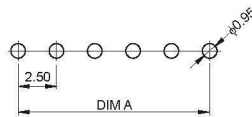
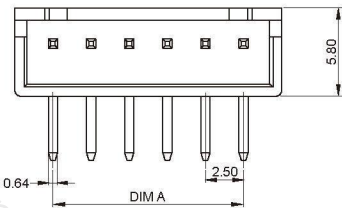
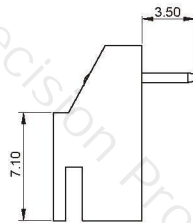
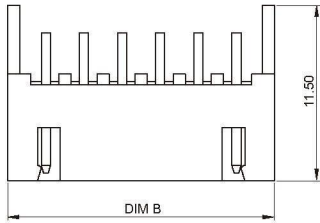
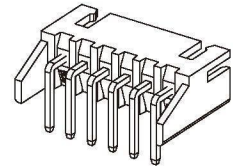
OTHER SERIES

A2501 SERIES

2.50mm pitch wire to board connector

A2501AWD (2.50mm pitch 90°Wafer DIP TYPE)

- Reference Information:
- Material: Pin: Brass/Tin-plated
- Wafer: PA66,UL94V-0(2)
- Mates with A2501 series Housing



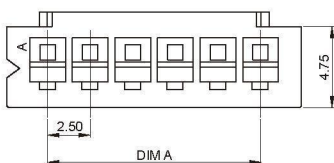
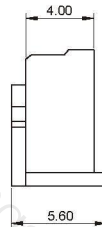
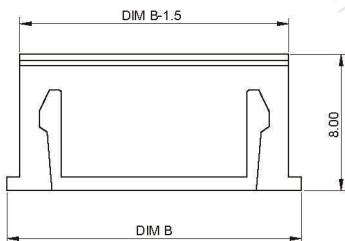
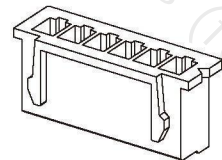
P.C.B LAYOUT

Ordering Information & Dimensions:

Circuit	Dimensions(mm)	
	A	B
02	2.50	7.50
03	5.00	10.00
04	7.50	12.50
05	10.00	15.00
06	12.50	17.50
07	15.00	20.00
08	17.50	22.50
09	20.00	25.00
10	22.50	27.50
11	25.00	30.00
12	27.50	32.50
13	30.00	35.00
14	32.50	37.50
15	35.00	40.00
16	37.50	42.50

A2501Y (2.50mm pitch Housing)

- Reference Information:
- Material: PA66,UL94V-0(2)
- Mates with A2501 series Wafer



Ordering Information & Dimensions:

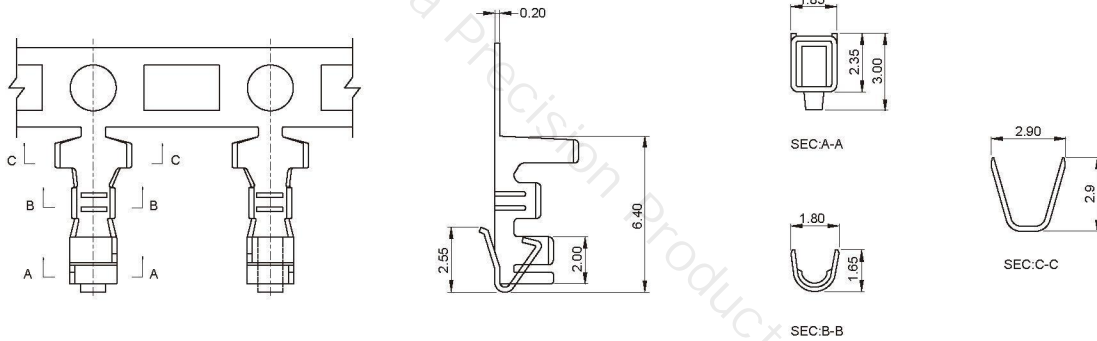
Circuit	Dimensions(mm)	
	A	B
02	2.50	7.30
03	5.00	9.80
04	7.50	12.30
05	10.00	14.80
06	12.50	17.30
07	15.00	19.80
08	17.50	22.30
09	20.00	24.80
10	22.50	27.30
11	25.00	29.80
12	27.50	32.30
13	30.00	34.80
14	32.50	37.30
15	35.00	39.80
16	37.50	42.30

A2501 SERIES

2.50mm pitch wire to board connector

A2501T (2.50mm pitch Terminal)

- Reference Information:
 - Used in A2501 series Housing
 - Used in A2502 series Housing



Ordering Information & Dimensions:

Part No	Wire Range	Insulation O.D.	Material	Finish	Qty/Reel
A2501T	AWG #22~#28	1.90mm(max)	Phosphor bronze	Tin-plated	7000PCS

WIRE TO BOARD

BOARD TO BOARD

WIRE TO WIRE

FPC SERIES

THR SERIES

LIGHTING SERIES

OTHER SERIES