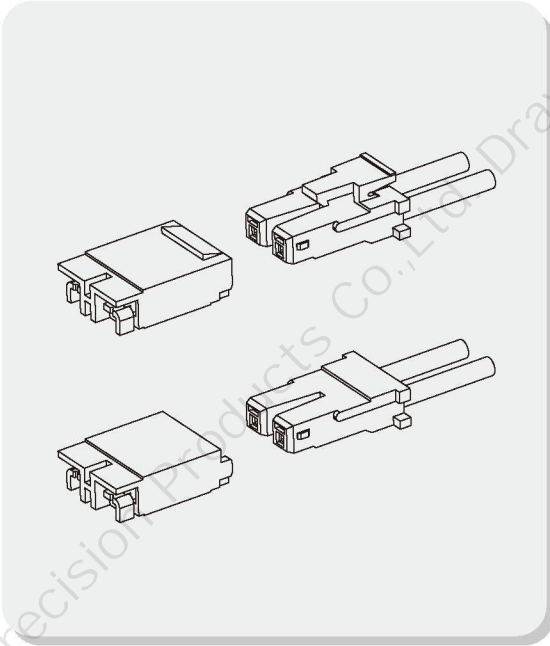


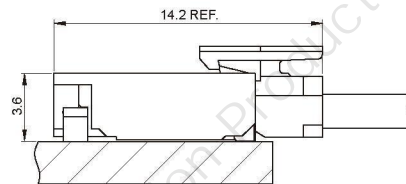
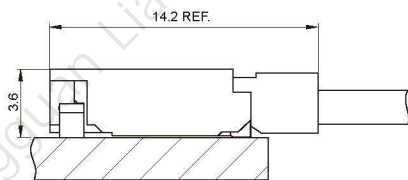
## A3501/A3502 SERIES 3.50mm pitch wire to board connector



### ■ Specifications

- Contact resistance:  $\leq 20\text{m}\Omega$
- Insulation resistance:  $\geq 1000\text{M}\Omega$
- Rated voltage: 1400V AC DC
- Rated current: 1.0A AC DC
- Withstand voltage: 3800V AC/minute
- Temperature range:  $-25^{\circ}\text{C} \sim +85^{\circ}\text{C}$

### ■ Assembly Layout



# A3501/A3502 SERIES 3.50mm pitch wire to board connector

## A3501AWR (3.50mm pitch 90°Wafer SMT TYPE)

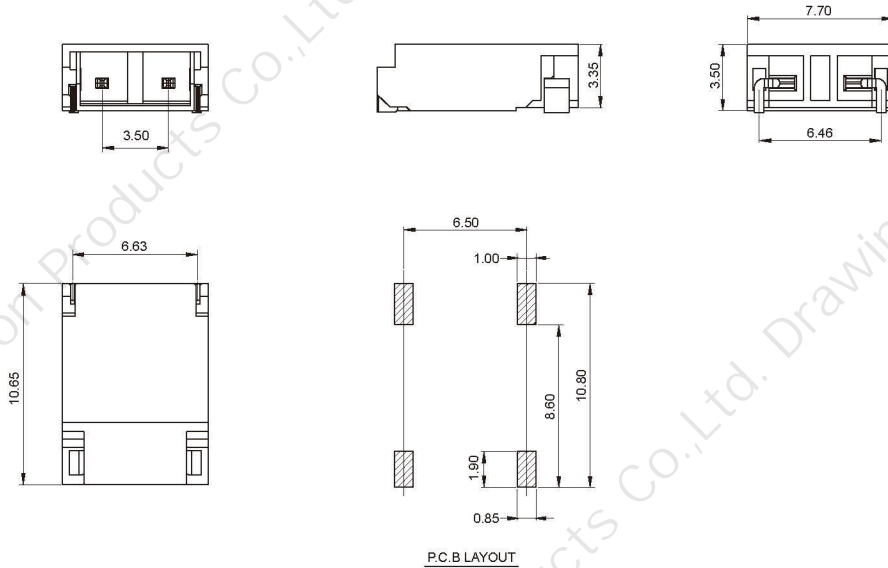
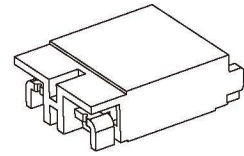
■ Reference Information:

Material: Pin: Phosphor Bronze/Tin-plated

Solder Tabs: Phosphor Bronze/Tin-plated

Wafer: LCP,UL94V-0

Mates with A3501 series Housing



## A3502AWR (3.50mm pitch 90°Wafer SMT TYPE)

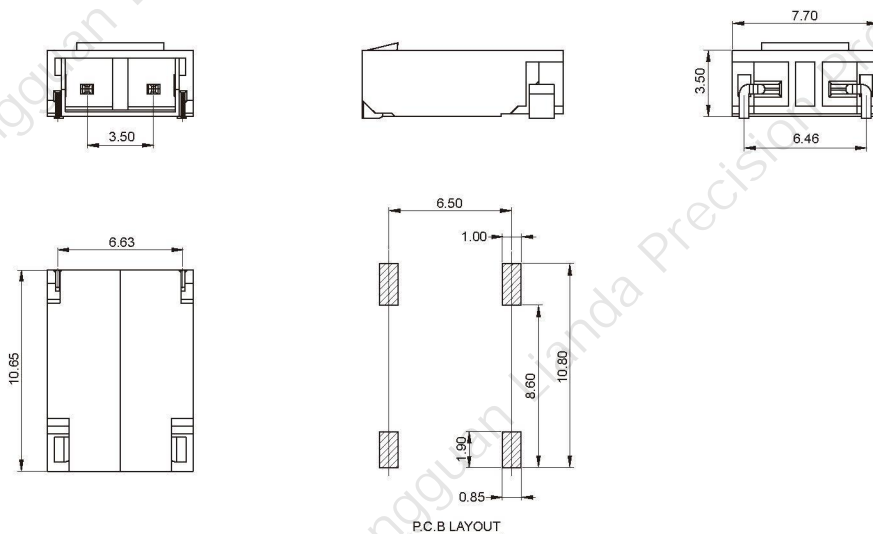
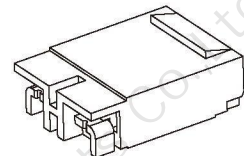
■ Reference Information:

Material: Pin: Phosphor Bronze/Tin-plated

Solder Tabs: Phosphor Bronze/Tin-plated

Wafer: LCP,UL94V-0

Mates with A3502 series Housing



WIRE TO BOARD

BOARD TO BOARD

WIRE TO WIRE

FPC SERIES

THR SERIES

LIGHTING SERIES

OTHER SERIES

# A3501/A3502 SERIES 3.50mm pitch wire to board connector

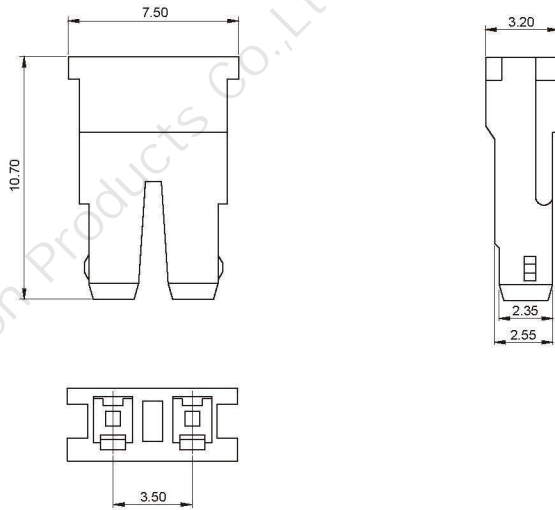
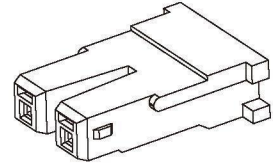
## A3501Y (3.50mm pitch Housing)

■ Reference Information:

Material: PA66, UL 94V-0(2)

Suitable A3501 series terminal

Mates with A3501 series Wafer



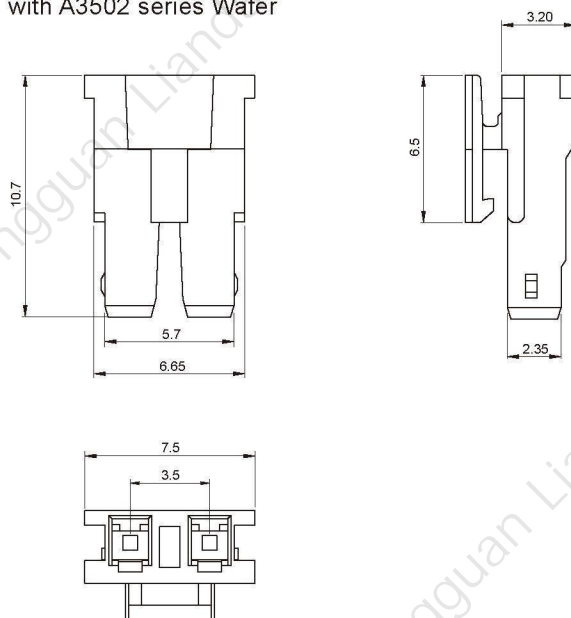
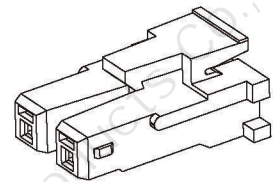
## A3502Y (3.50mm pitch Housing)

■ Reference Information:

Material: PA66, UL 94V-0(2)

Suitable A3501 series terminal

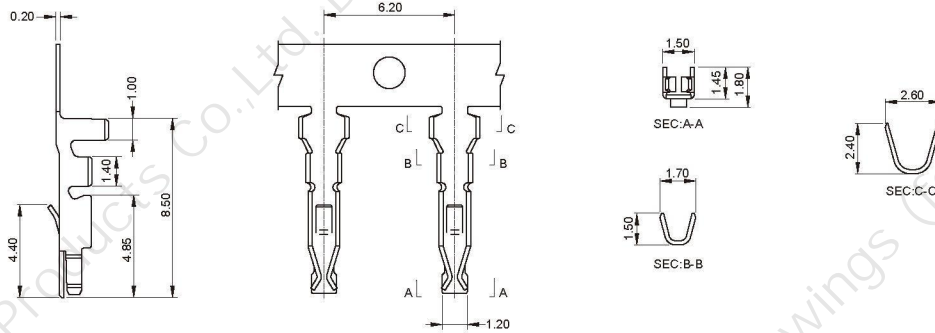
Mates with A3502 series Wafer



# A3501/A3502 SERIES 3.50mm pitch wire to board connector

## A3501T (3.50mm pitch Terminal)

- Reference Information:  
Used in A3501 series Housing  
Used in A3502 series Housing



### Ordering Information & Dimensions:

Part No	Wire Range	Insulation O.D.	Material	Finish	Qty/Reel
A3501T	AWG #24 ~ #28	1.60mm(max)	Phosphor bronze	Tin-plated	11000PCS

WIRE TO BOARD

BOARD TO BOARD

WIRE TO WIRE

FPC SERIES

THR SERIES

LIGHTING SERIES

OTHER SERIES