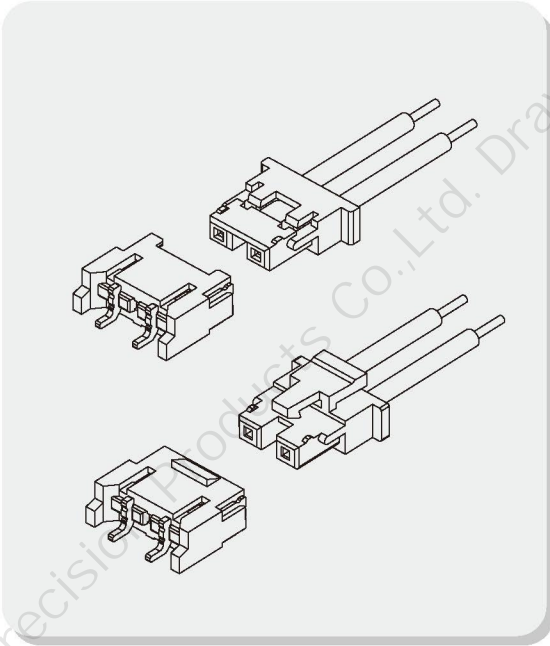


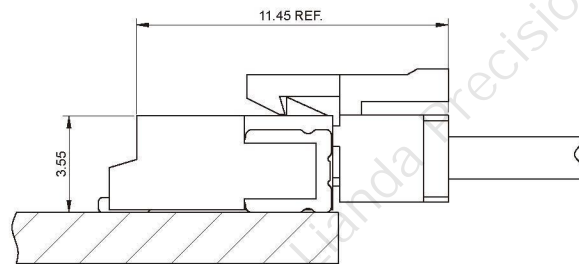
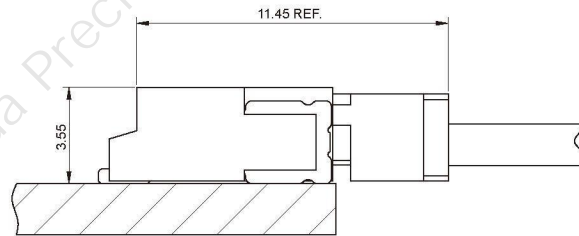
# A4001/A4002 SERIES 4.00mm pitch wire to board connector



## ■ Specifications

- Contact resistance:  $\leq 10\text{m}\Omega$
- Insulation resistance:  $\geq 1000\text{M}\Omega$
- Rated voltage: 600V AC DC
- Rated current: 1.0A AC DC
- Withstand voltage: 1800V AC/minute
- Temperature range:  $-25^{\circ}\text{C} \sim +85^{\circ}\text{C}$

## ■ Assembly Layout



WIRE TO BOARD

BOARD TO BOARD

WIRE TO WIRE

FPC SERIES

THR SERIES

LIGHTING SERIES

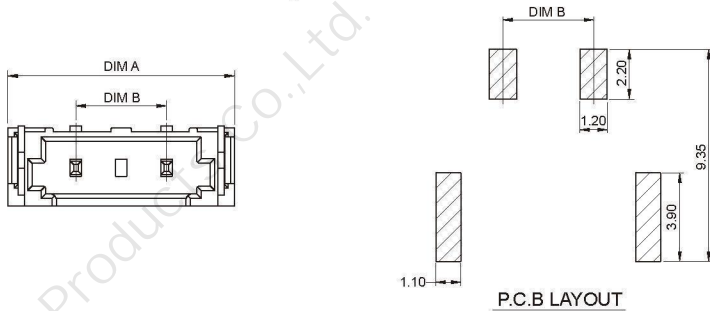
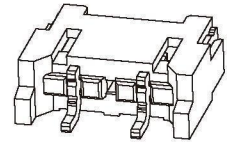
OTHER SERIES

# A4001/A4002 SERIES 4.00mm pitch wire to board connector

## A4001AWR (4.00mm pitch 90°Wafer SMT TYPE)

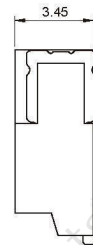
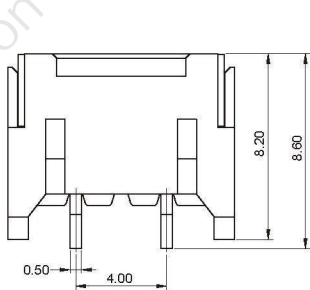
■ Reference Information:

Material: Pin: Brass/Tin-plated  
 Solder Tabs: Brass/Tin-plated  
 Wafer: PA9T,UL94V-0  
 Mates with A4001 series Housing



Ordering Information & Dimensions:

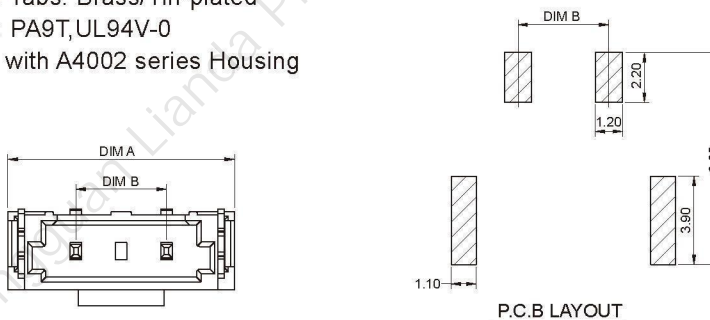
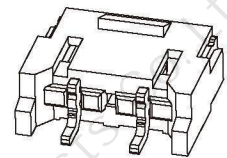
Circuit	Dimensions(mm)	
	A	B
02	10.00	4.00
03	14.00	8.00
04	18.00	12.00



## A4002AWR (4.00mm pitch 90°Wafer With Lock SMT TYPE)

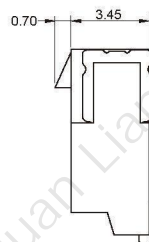
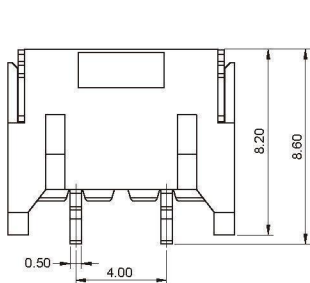
■ Reference Information:

Material: Pin: Brass/Tin-plated  
 Solder Tabs: Brass/Tin-plated  
 Wafer: PA9T,UL94V-0  
 Mates with A4002 series Housing



Ordering Information & Dimensions:

Circuit	Dimensions(mm)	
	A	B
02	10.00	4.00
03	14.00	8.00
04	18.00	12.00



# A4001/A4002 SERIES 4.00mm pitch wire to board connector

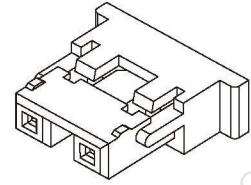
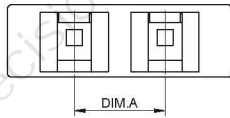
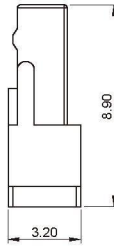
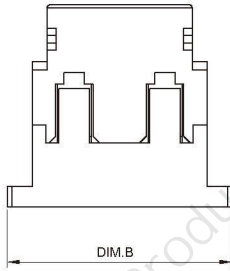
## A4001Y (4.00mm pitch Housing)

■ Reference Information:

Material: PA66, UL 94V-0(2)

Suitable A4001 series terminal

Mates with A4001 series Wafer



Ordering Information & Dimensions:

Circuit	Dimensions(mm)	
	A	B
02	4.00	9.60
03	8.00	13.60
04	12.00	17.60

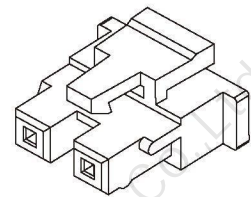
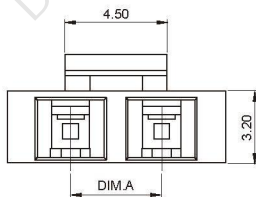
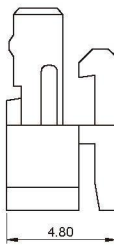
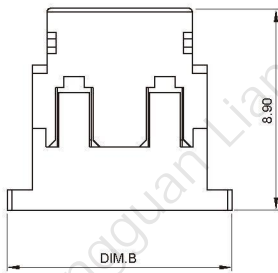
## A4002Y (4.00mm pitch With Lock Housing)

■ Reference Information:

Material: PA66, UL 94V-0(2)

Suitable A4001 series terminal

Mates with A4002 series Wafer



Ordering Information & Dimensions:

Circuit	Dimensions(mm)	
	A	B
02	4.00	9.60
03	8.00	13.60
04	12.00	17.60

WIRE TO BOARD

BOARD TO BOARD

WIRE TO WIRE

FPC SERIES

THR SERIES

LIGHTING SERIES

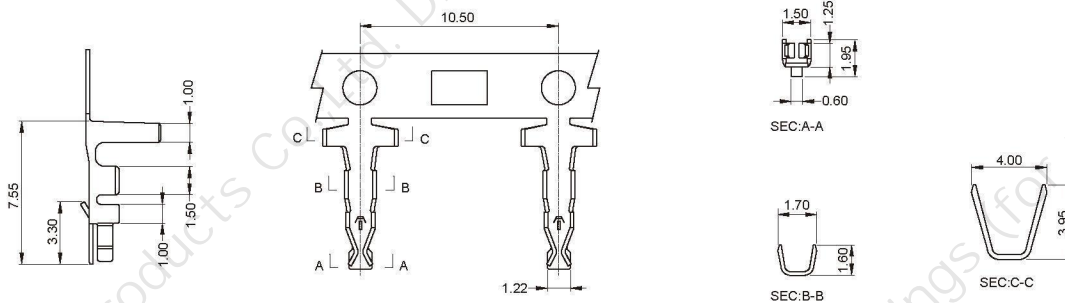
OTHER SERIES

# A4001/A4002 SERIES 4.00mm pitch wire to board connector

## A4001T (4.00mm pitch Terminal)

■ Reference Information:

Used in A4001 series Housing  
Used in A4002 series Housing



Ordering Information & Dimensions:

Part No	Wire Range	Insulation O.D.	Material	Finish	Qty/Reel
A4001T	AWG #22~#28	2.40mm(max)	Phosphor bronze	Tin-plated	4500PCS