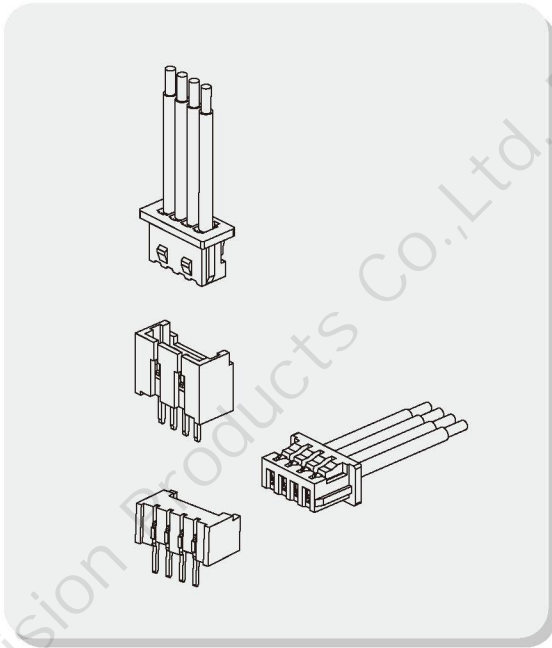


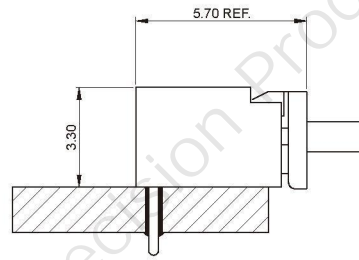
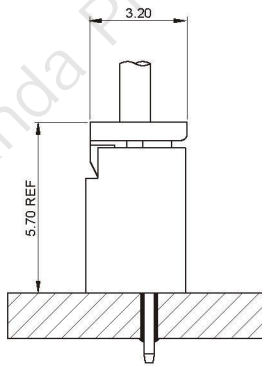
T1251 SERIES 1.25mm pitch Through Hole Reflow Type Connector



■ Specifications

- Contact resistance: $\leq 20\text{m}\Omega$
- Insulation resistance: $\geq 100\text{M}\Omega$
- Rated voltage: 125V AC DC
- Rated current: 1.0A AC DC
- Withstand voltage: 500V AC/minute
- Temperature range: $-25^{\circ}\text{C} \sim +105^{\circ}\text{C}$

■ Assembly Layout



WIRE TO BOARD

BOARD TO BOARD

WIRE TO WIRE

FPC SERIES

THR SERIES

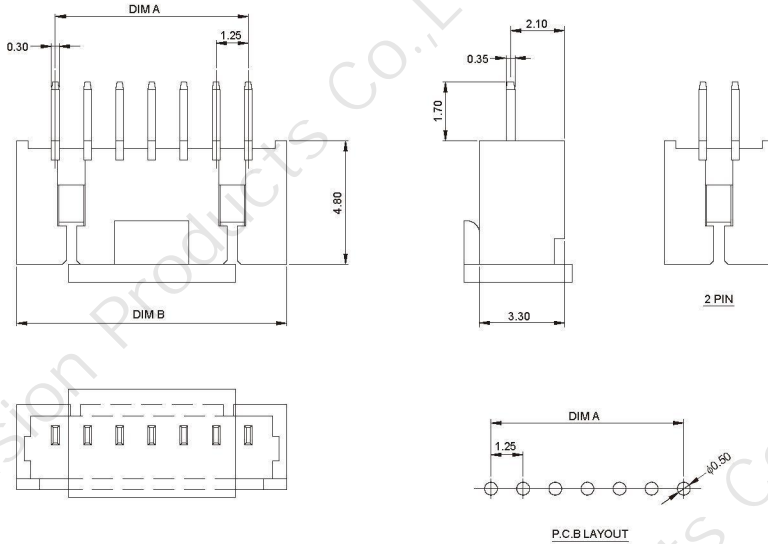
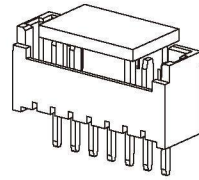
LIGHTING SERIES

OTHER SERIES

T1251 SERIES 1.25mm pitch Through Hole Reflow Type Connector

T1251A (1.25mm pitch 180°Wafer DIP TYPE)

- Reference Information:
- Material: Pin: Brass or Phosphor Bronze/Tin-plated
- Wafer: LCP,UL94V-0
- Mates with A1251 series Housing

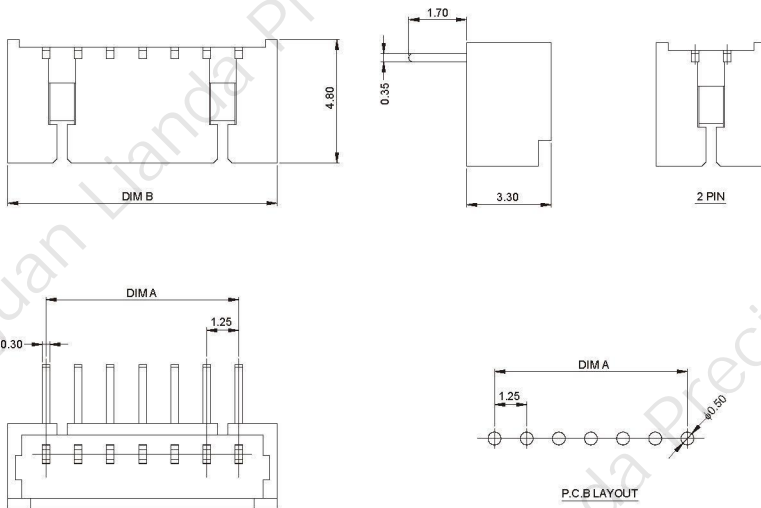
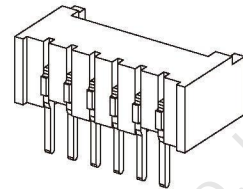


Ordering Information & Dimensions:

Circuit	Dimensions(mm)	
	A	B
02	1.25	4.25
03	2.50	5.50
04	3.75	6.75
05	5.00	8.00
06	6.25	9.25
07	7.50	10.50
08	8.75	11.75
09	10.00	13.00
10	11.25	14.25
11	12.50	15.50
12	13.75	16.75
13	15.00	18.00
14	16.25	19.25
15	17.50	20.50
16	18.75	21.75

T1251AW (1.25mm pitch 90°Wafer DIP TYPE)

- Reference Information:
- Material: Pin: Brass or Phosphor Bronze/Tin-plated
- Wafer: LCP,UL94V-0
- Mates with A1251 series Housing



Ordering Information & Dimensions:

Circuit	Dimensions(mm)	
	A	B
02	1.25	4.25
03	2.50	5.50
04	3.75	6.75
05	5.00	8.00
06	6.25	9.25
07	7.50	10.50
08	8.75	11.75
09	10.00	13.00
10	11.25	14.25
11	12.50	15.50
12	13.75	16.75
13	15.00	18.00
14	16.25	19.25
15	17.50	20.50
16	18.75	21.75