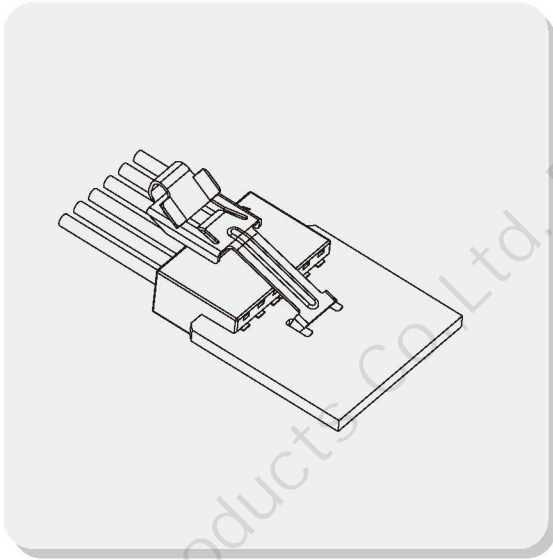


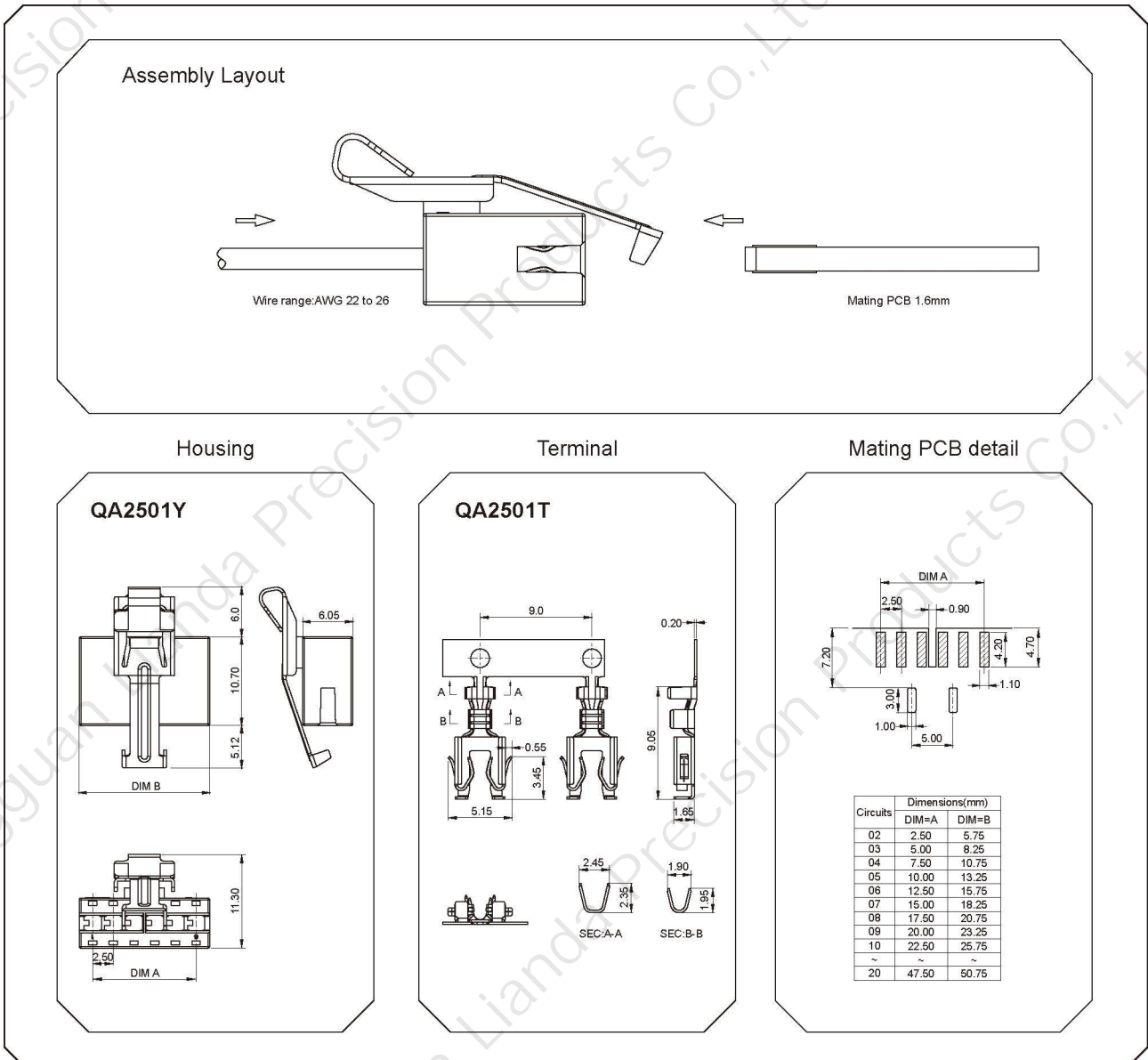
QA2501 Car connector



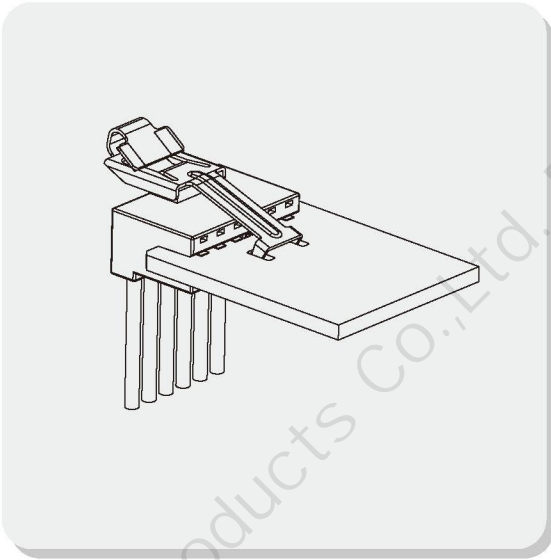
■ Specifications

- Contact resistance: $\leq 10\text{m}\Omega$
- Insulation resistance: $\geq 1000\text{M}\Omega$
- Rated voltage: 32V AC DC
- Rated current: 3.0A AC DC
- Withstand voltage: 1400V AC/minute
- Temperature range: $-25^{\circ}\text{C} \sim +105^{\circ}\text{C}$
- Material: Wafer: PBT, UL94V-0
- Lock: Stainless steel
- Pin: Phosphor bronze/Tin-plated

■ Mounting Measurement



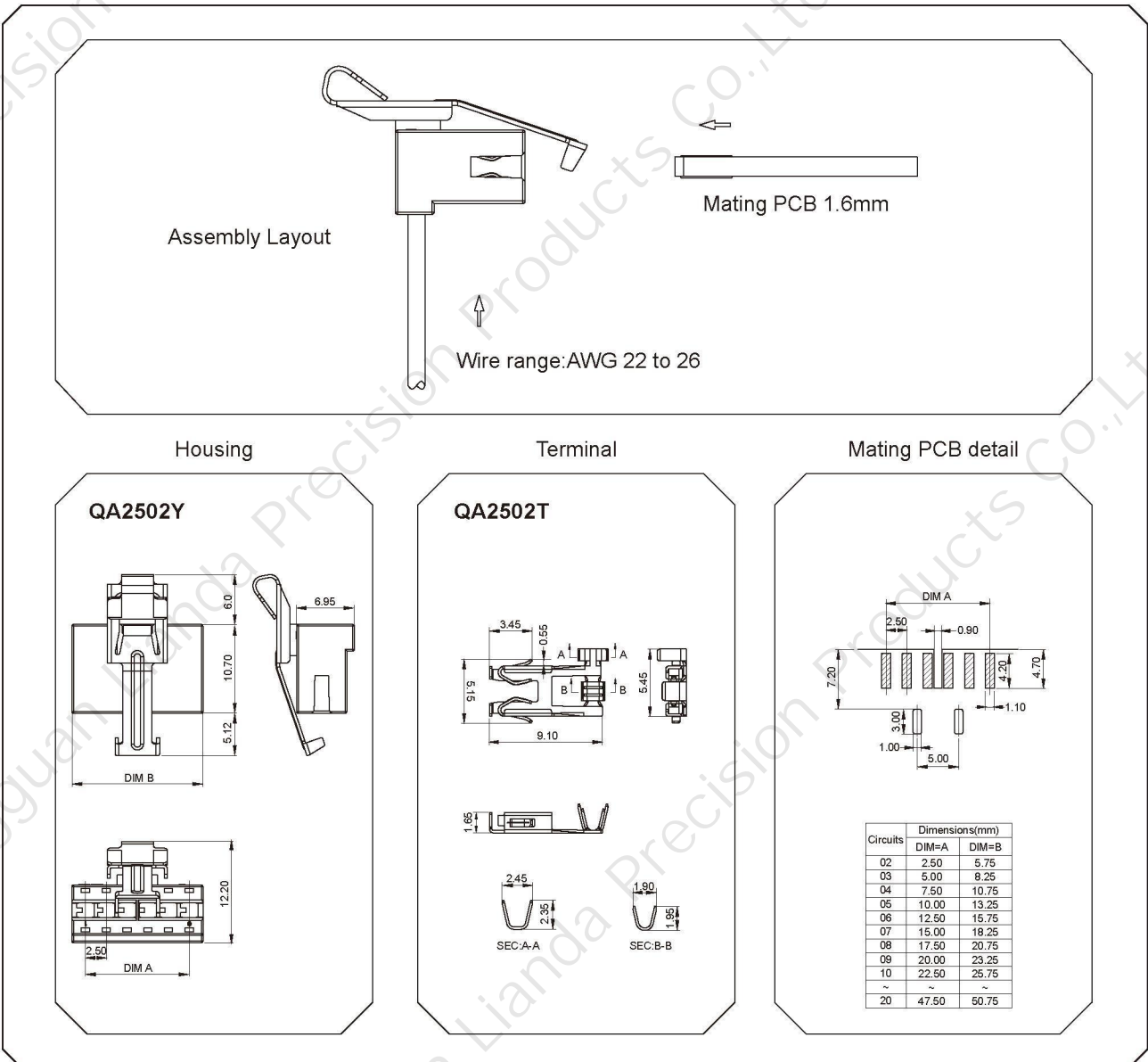
QA2502 Car connector



■ Specifications

- Contact resistance: $\leq 10\text{m}\Omega$
- Insulation resistance: $\geq 1000\text{M}\Omega$
- Rated voltage: 32V AC DC
- Rated current: 3.0A AC DC
- Withstand voltage: 1400V AC/minute
- Temperature range: $-25^{\circ}\text{C} \sim +105^{\circ}\text{C}$
- Material: Wafer: PBT, UL94V-0
Lock: Stainless steel
Pin: Phosphor bronze/Tin-plated

■ Mounting Measurement



WIRE TO BOARD
 BOARD TO BOARD
 WIRE TO WIRE
 FPC SERIES
 THR SERIES
 LIGHTING SERIES
 OTHER SERIES