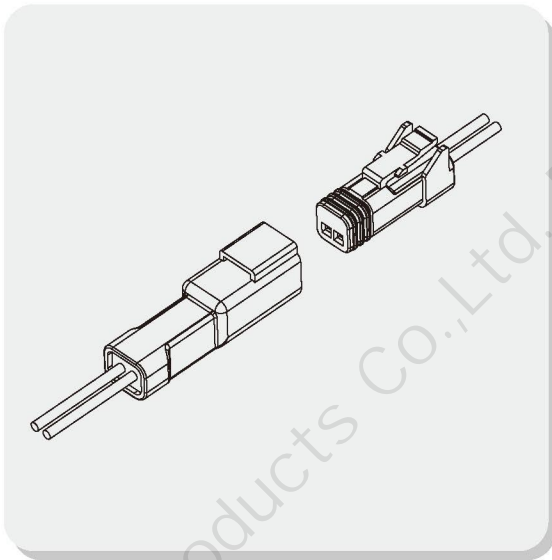


QC2001 Car connector



■ Specifications

- Contact resistance: $\leq 10\text{m}\Omega$
- Insulation resistance: $\geq 1000\text{M}\Omega$
- Rated voltage: 100V AC DC
- Rated current: 3.0A AC DC
- Withstand voltage: 1000V AC/minute
- Temperature range: $-55^{\circ}\text{C} \sim +85^{\circ}\text{C}$
- Applicable wire: AWG #26 to #22

Insulation O.D./1.3 to 1.6mm

Material: Housing: PBT,UL94V-0

Terminal: Phosphor bronze/Tin-plated

■ Mounting Measurement

