

**SPECIFICATION**

**MATERIAL:**

Housing: PBT+30%G. F UL94V-0

Contacts: Copper Alloy

**ELECTRICAL:**

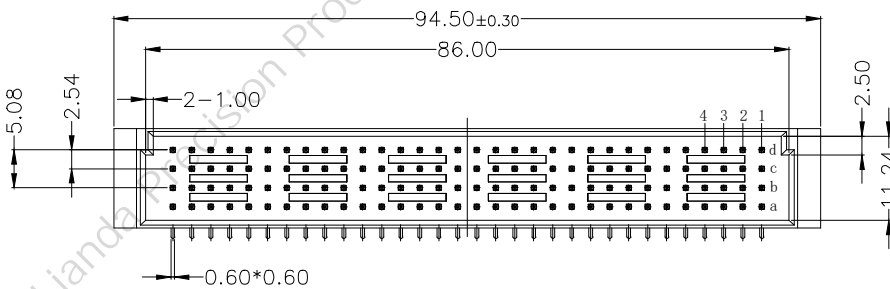
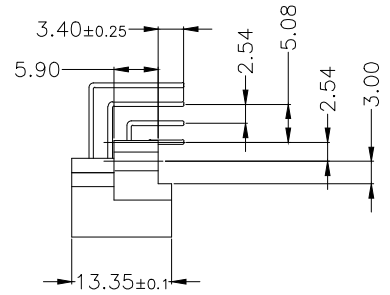
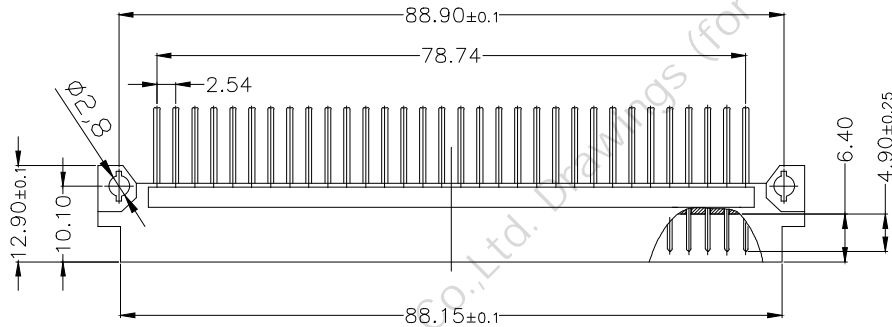
Current rating: 2 Amps .

Contact resistance: 20 mΩ initial

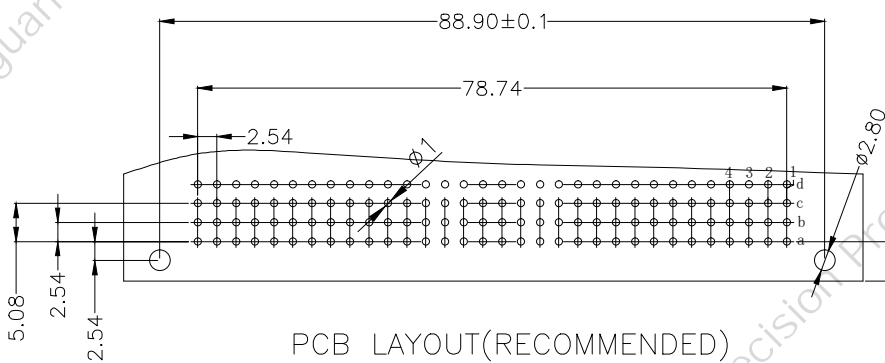
Insulation resistance: 1000 MΩ min @ 500 VDC

Dielectric withstanding voltage: 1000 VAC/minute

Operating temperature: -55° C TO +125° C



Pitch	Position	Rows with Contacts	Contact Arrange
2.54	128	A B C D	
5.08	64	A B C D	



PCB LAYOUT(RECOMMENDED)

(TOP VIEW TOL. :±0.05)

公差一览表			
TOLERANCE UNLESS OTHERWISE			
X.	±0.25	X°.	±5°
.X	±0.20	.X°.	±2°
.XX	±0.15	.XX°.	±1°
.XXX	±0.02	.XXX°.	±0.5°
日期 Date	2009. 04. 15		

欧式插座DIN 41612 4128弯针公座

SPECIFICATION

MATERIAL:

Housing: PBT+30%G. F UL94V-0

Contacts: Copper Alloy

ELECTRICAL:

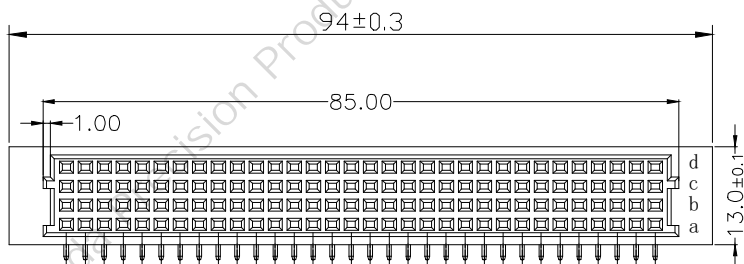
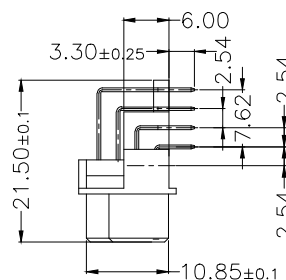
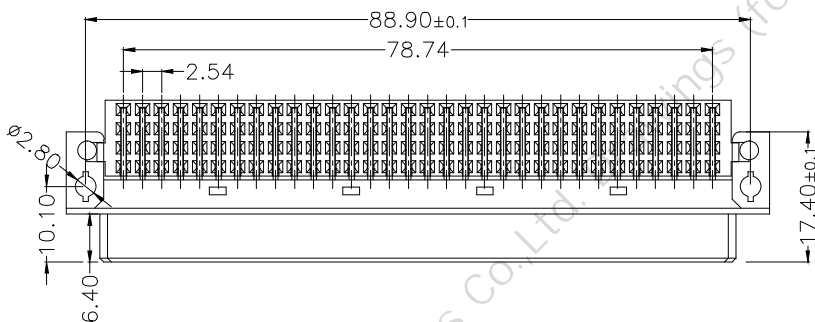
Current rating: 2 Amps .

Contact resistance: 20 mΩ initial

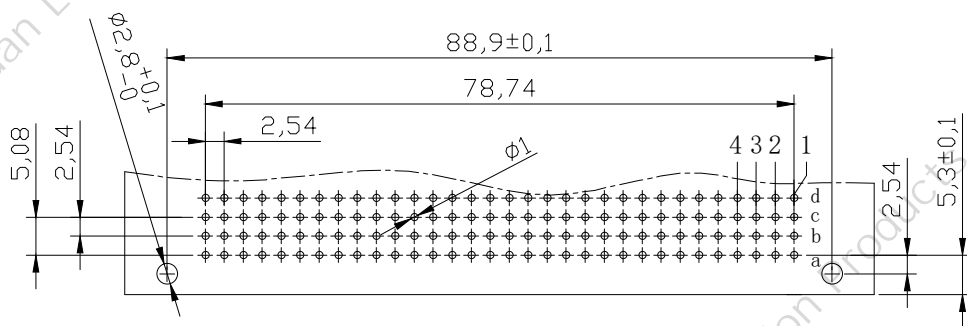
Insulation resistance: 1000 MΩ min @ 500 VDC

Dielectric withstanding voltage: 1000 VAC/minute

Operating temperature: -55° C TO +125° C



Pitch	Position	Rows with Contacts	Contact Arrange
2.54	128	A B C D	
5.08	64	A B C D	



PCB LAYOUT(RECOMMENDED)

(TOP VIEW TOL. :±0.05)

公差一览表			
TOLERANCE UNLESS OTHERWISE			
X.	±0.25	X°.	±5°
.X	±0.20	.X°.	±2°
.XX	±0.15	.XX°.	±1°
.XXX	±0.02	.XXX°.	±0.5°
日期 Date	2009. 04. 15		

欧式插座DIN 41612 4128弯针母座

**SPECIFICATION**

**MATERIAL:**

Housing: PBT+30%G. F UL94V-0

Contacts: Copper Alloy

**ELECTRICAL:**

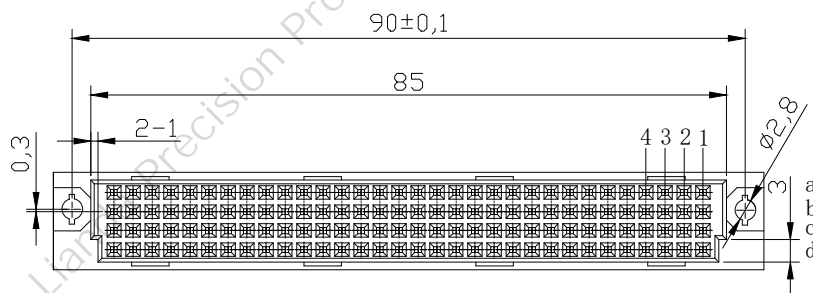
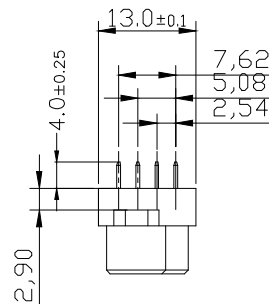
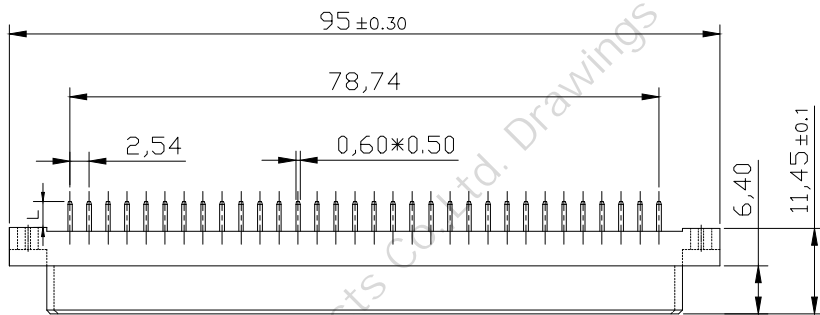
Current rating: 2 Amps .

Contact resistance: 20 mΩ initial

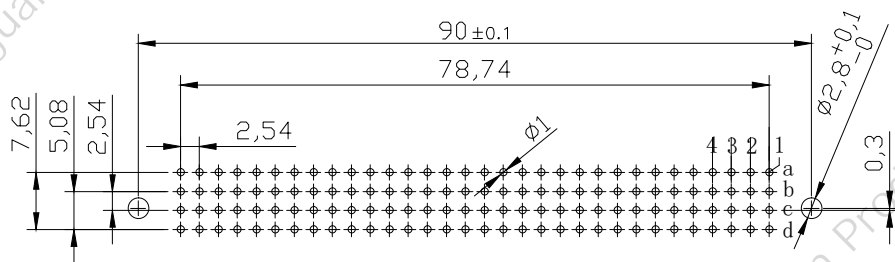
Insulation resistance: 1000 MΩ min @ 500 VDC

Dielectric withstanding voltage: 1000 VAC/minute

Operating temperature: -55° C TO +125° C



Length	1	2	W1	W2
L	4.0	2.5	13	17
Pitch	Position	Rows with Contacts	Contact Arrange	
2.54	128	A B C D		
5.08	64	A B C D		



PCB LAYOUT(RECOMMENDED)

(TOP VIEW TOL. : ±0.05)

公差一览表 TOLERANCE UNLESS OTHERWISE			
X.	±0.25	X°.	±5°
.X	±0.20	.X°.	±2°
.XX	±0.15	.XX°.	±1°
.XXX	±0.02	.XXX°.	±0.5°
日期 Date	2009. 04. 15		

**欧式插座DIN 41612 4128直针母座**

SPECIFICATION

MATERIAL:

Housing: PBT+30%G. F UL94V-0

Contacts: Copper Alloy

ELECTRICAL:

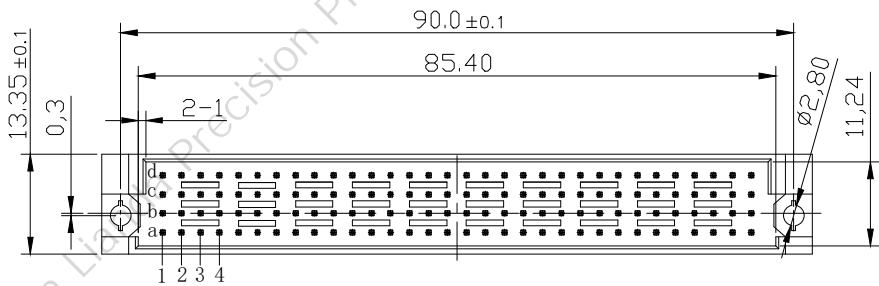
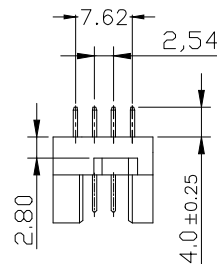
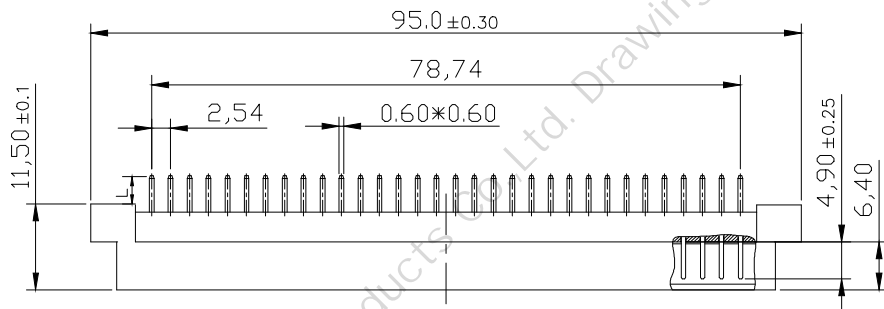
Current rating: 2 Amps .

Contact resistance: 20 mΩ initial

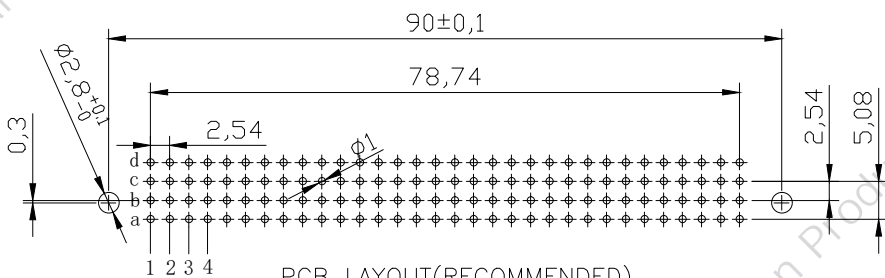
Insulation resistance: 1000 MΩ min @ 500 VDC

Dielectric withstanding voltage: 1000 VAC/minute

Operating temperature: -55° C TO +125° C



Length	1	2	W1
L	4.0	2.5	13
Pitch	Position	Rows with Contacts	Contact Arrange
2.54	128	A B C D	
5.08	64	A B C D	



PCB LAYOUT(RECOMMENDED)  
(TOP VIEW TOL. :±0.05)

公差一览表 TOLERANCE UNLESS OTHERWISE			
X.	±0.25	X°.	±5°
.X	±0.20	.X°.	±2°
.XX	±0.15	.XX°.	±1°
.XXX	±0.02	.XXX°.	±0.5°
日期 Date	2009. 04. 15		

欧式插座DIN 41612 4128直针公座