

SPECIFICATION

MATERIAL:

Housing: PBT+30%G. F UL94V-0

Contacts: Copper Alloy

ELECTRICAL:

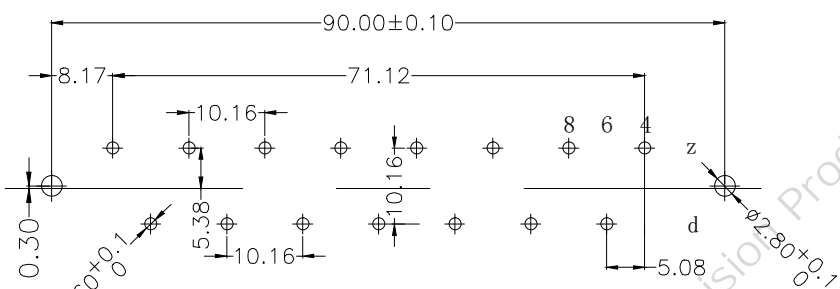
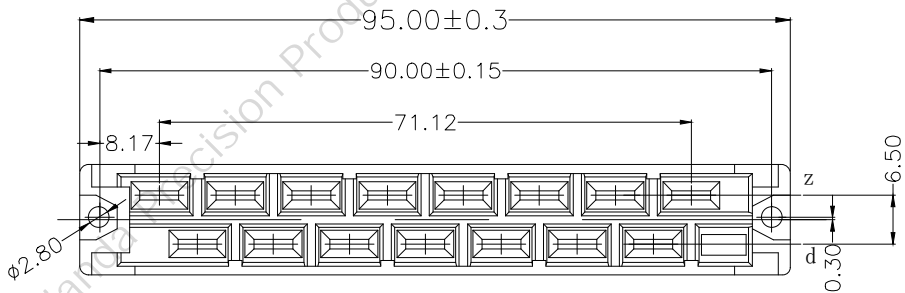
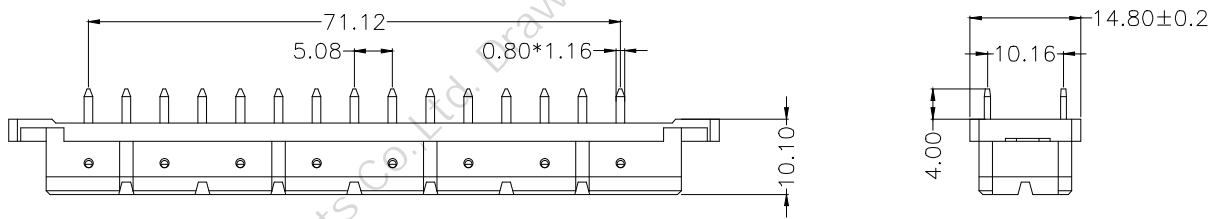
Current rating: 5.6 Amps .

Contact resistance: 15 mΩ max

Insulation resistance: 1000 MΩ min

Dielectric withstanding voltage: AC 1550V

Operating temperature: -55° C TO +125° C



PCB LAYOUT(RECOMMENDED)

(TOP VIEW TOL. :±0.05)

公差一览表			
TOLERANCE UNLESS OTHERWISE			
X.	±0.25	X°.	±5°
.X	±0.20	.X°.	±2°
.XX	±0.15	.XX°.	±1°
.XXX	±0.02	.XXX°.	±0.5°
日期 Date	2022. 01. 16		

欧式插座DIN 41612 215大电流直针母座

SPECIFICATION

MATERIAL:

Housing: PBT+30%G. F UL94V-0

Contacts: Copper Alloy

ELECTRICAL:

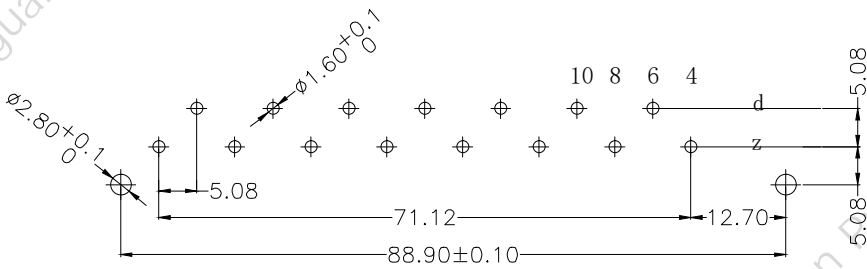
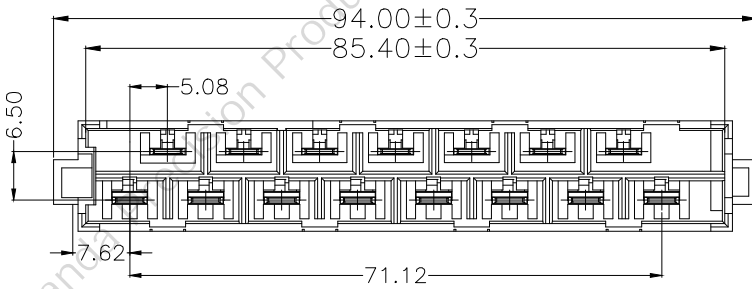
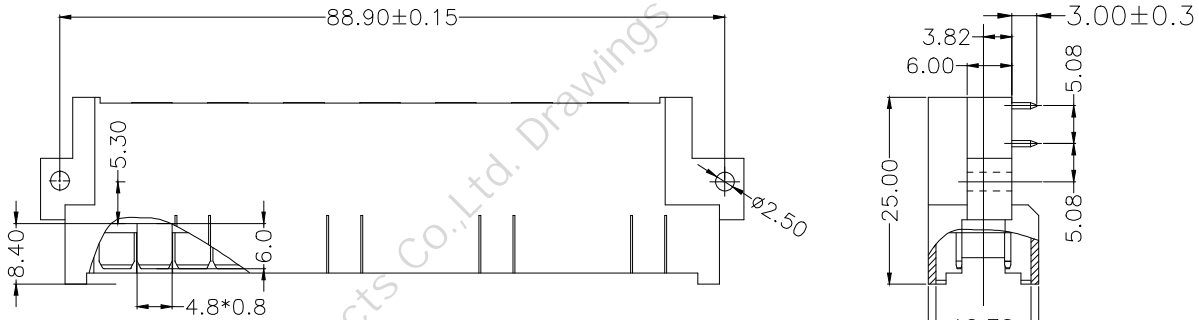
Current rating: 5.6 Amps .

Contact resistance: 15 mΩ max

Insulation resistance: 1000 MΩ min

Dielectric withstanding voltage: AC 1550V

Operating temperature: -55° C TO +125° C



PCB LAYOUT(RECOMMENDED)

(TOP VIEW TOL. :±0.05)

公差一览表			
TOLERANCE UNLESS OTHERWISE			
X.	±0.25	X°.	±5°
.X	±0.20	.X°.	±2°
.XX	±0.15	.XX°.	±1°
.XXX	±0.02	.XXX°.	±0.5°
日期	2022. 01. 16		
Date			

欧式插座DIN 41612 215大电流弯针公座

SPECIFICATION

MATERIAL:

Housing: PBT+30%G. F UL94V-0

Contacts: Copper Alloy

ELECTRICAL:

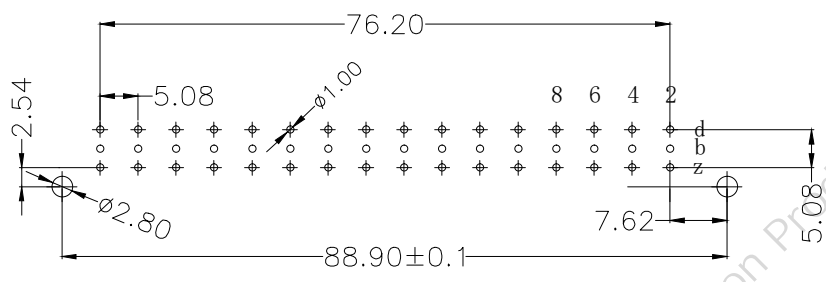
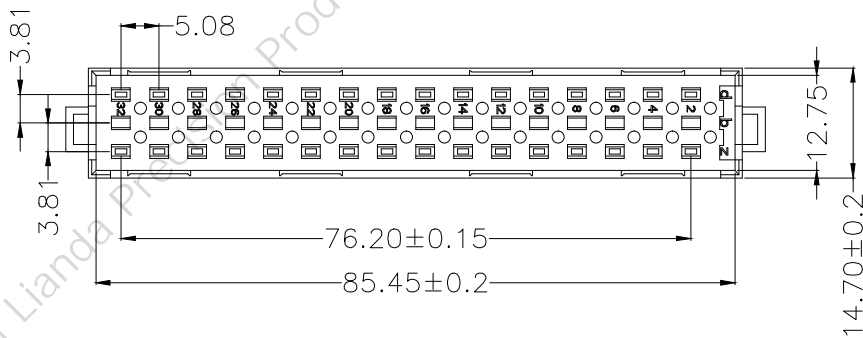
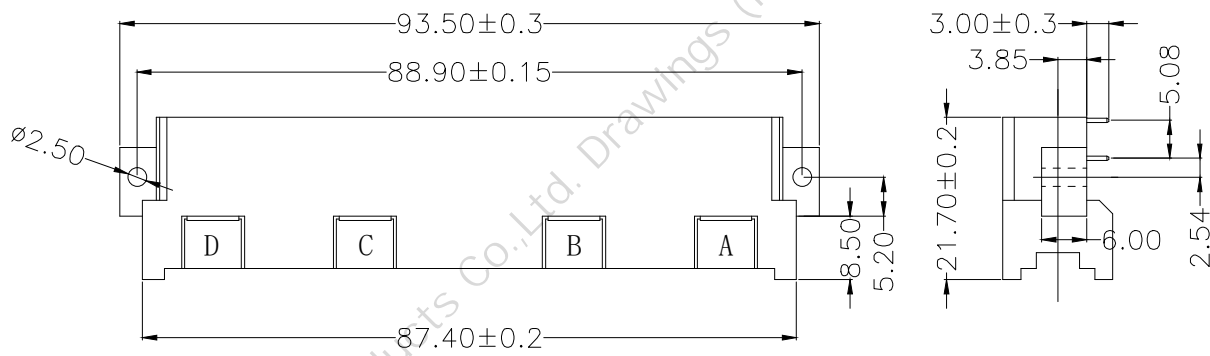
Current rating: 5.6 Amps .

Contact resistance: 15 mΩ max

Insulation resistance: 1000 MΩ min

Dielectric withstanding voltage: AC 1550V

Operating temperature: -55° C TO +125° C



PCB LAYOUT(RECOMMENDED)

(TOP VIEW TOL. :±0.05)

Pitch	Position	Rows with Contacts	Contact Arrange
5.08mm	48	A B C	
	32	A - C	
	16	A - -	

公差一览表 TOLERANCE UNLESS OTHERWISE			
X.	±0.25	X°	±5°
.X	±0.20	.X°	±2°
.XX	±0.15	.XX°	±1°
.XXX	±0.02	.XXX°	±0.5°
日期 Date	2009. 04. 15		

欧式插座DIN 41612 332大电流弯针公座

SPECIFICATION

MATERIAL:

Housing: PBT+30%G. F UL94V-0

Contacts: Copper Alloy

ELECTRICAL:

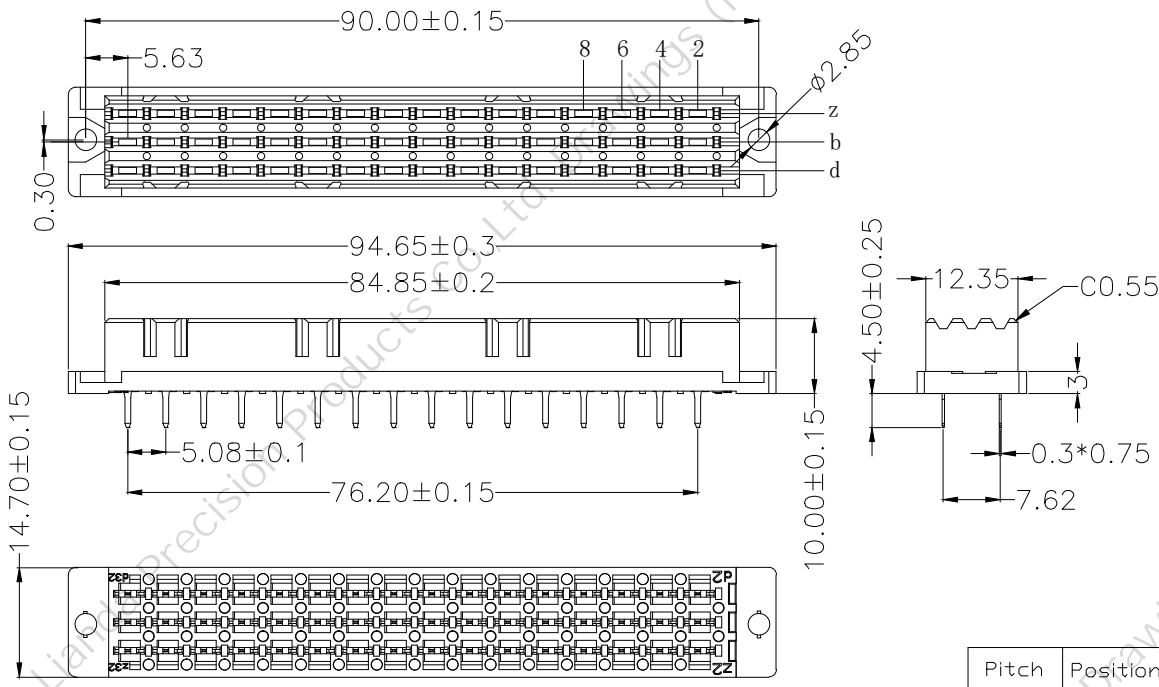
Current rating: 5.6 Amps .

Contact resistance: 15 mΩ max

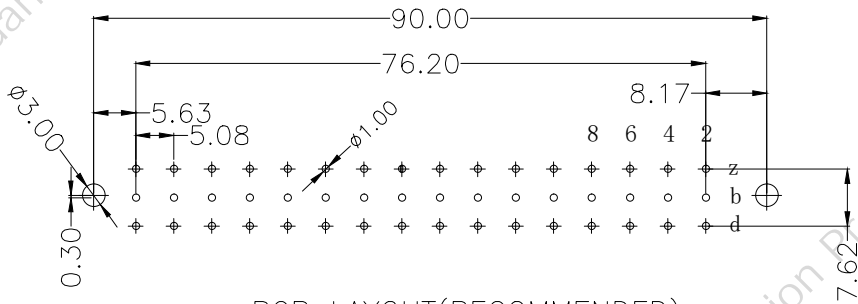
Insulation resistance: 1000 MΩ min

Dielectric withstanding voltage: AC 1550V

Operating temperature: -55° C TO +125° C



Pitch	Position	Rows with Contacts	Contact Arrange
5.08mm	48	A B C	
	32	A - C	
	16	A - -	



PCB LAYOUT (RECOMMENDED)
(TOP VIEW TOL. : ±0.05)

公差一览表 TOLERANCE UNLESS OTHERWISE			
X.	±0.25	X°.	±5°
.X	±0.20	.X°	±2°
.XX	±0.15	.XX°	±1°
.XXX	±0.02	.XXX°	±0.5°
日期 Date	2009. 04. 15		

欧式插座 DIN 41612 332大电流直针母座

SPECIFICATION

MATERIAL:

Housing: PBT+30%G. F UL94V-0

Contacts: Copper Alloy

ELECTRICAL:

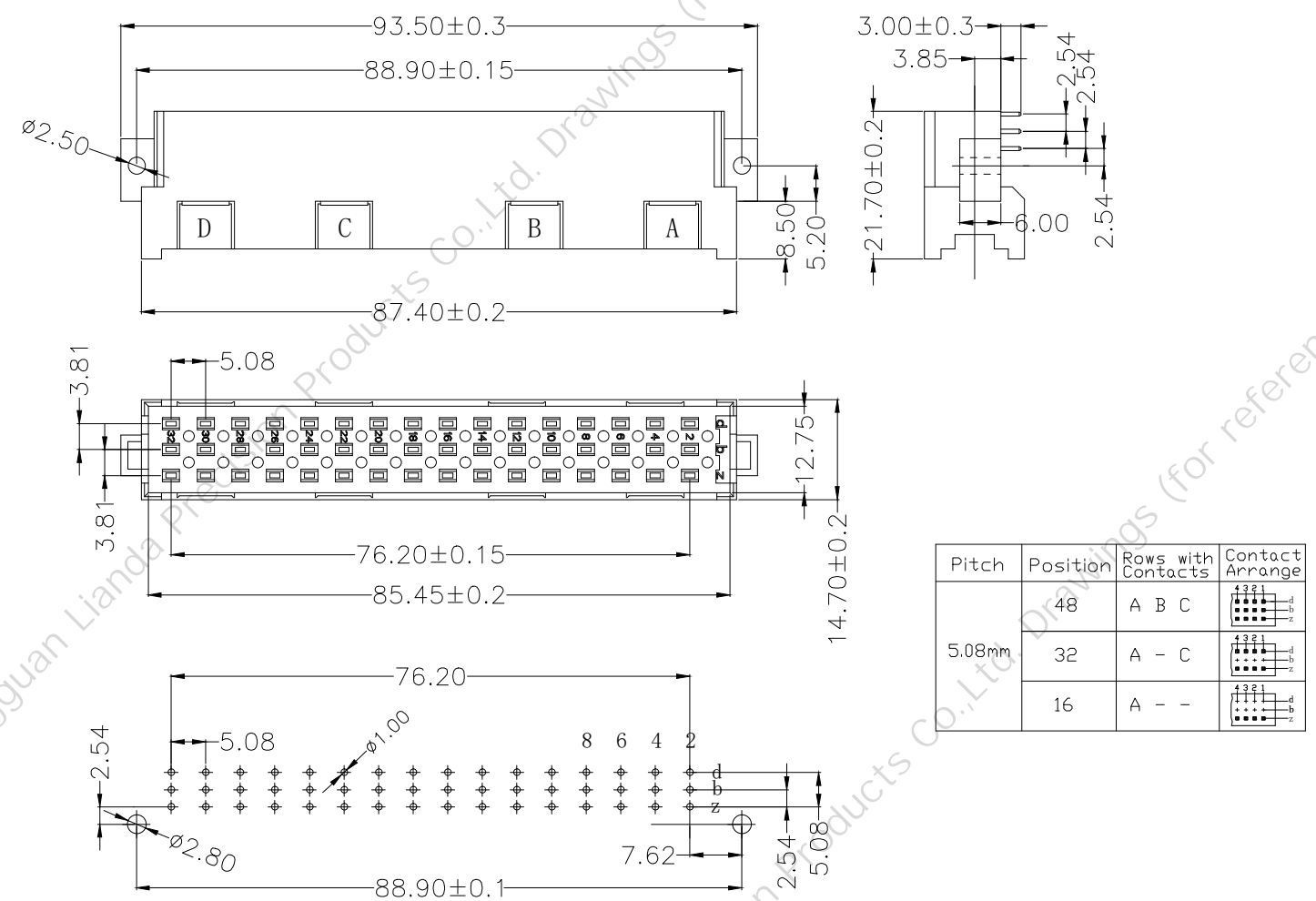
Current rating: 5.6 Amps .

Contact resistance: 15 mΩ max

Insulation resistance: 1000 MΩ min

Dielectric withstanding voltage: AC 1550V

Operating temperature: -55° C TO +125° C



PCB LAYOUT(RECOMMENDED)

(TOP VIEW TOL. :±0.05)

公差一览表			
TOLERANCE UNLESS OTHERWISE			
X.	±0.25	X°.	±5°
.X	±0.20	.X°.	±2°
.XX	±0.15	.XX°.	±1°
.XXX	±0.02	.XXX°.	±0.5°
日期 Date	2009. 04. 15		

欧式插座DIN 41612 348大电流弯针公座

SPECIFICATION

MATERIAL:

Housing: PBT+30%G. F UL94V-0

Contacts: Copper Alloy

ELECTRICAL:

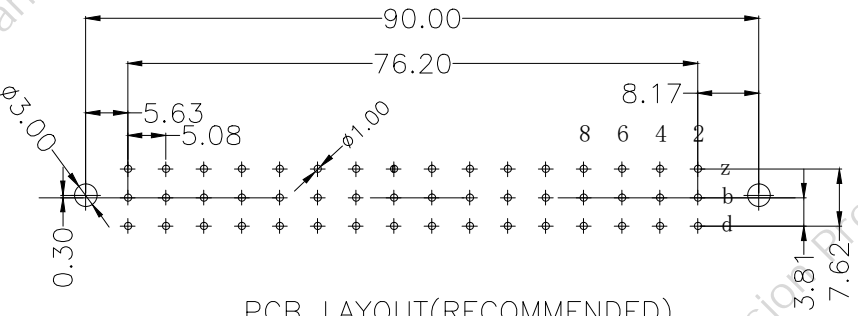
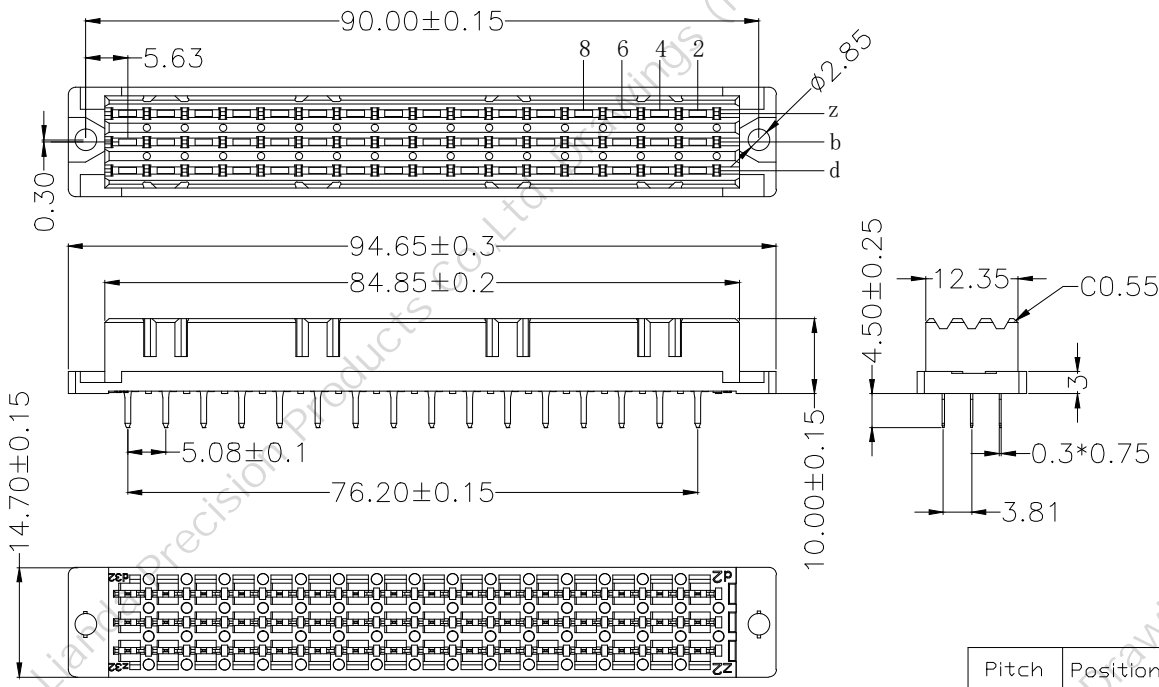
Current rating: 5.6 Amps .

Contact resistance: 15 mΩ max

Insulation resistance: 1000 MΩ min

Dielectric withstanding voltage: AC 1550V

Operating temperature: -55° C TO +125° C



PCB LAYOUT(RECOMMENDED)
(TOP VIEW TOL. :±0.05)

Pitch	Position	Rows with Contacts	Contact Arrange
5.08mm	48	A B C	
	32	A - C	
	16	A - -	

公差一览表 TOLERANCE UNLESS OTHERWISE			
X.	±0.25	X°.	±5°
.X	±0.20	.X°	±2°
.XX	±0.15	.XX°	±1°
.XXX	±0.02	.XXX°	±0.5°
日期 Date	2009. 04. 15		

欧式插座DIN 41612 348大电流直针母座

SPECIFICATION

MATERIAL:

Housing: PBT+30%G. F UL94V-0

Contacts: Copper Alloy

ELECTRICAL:

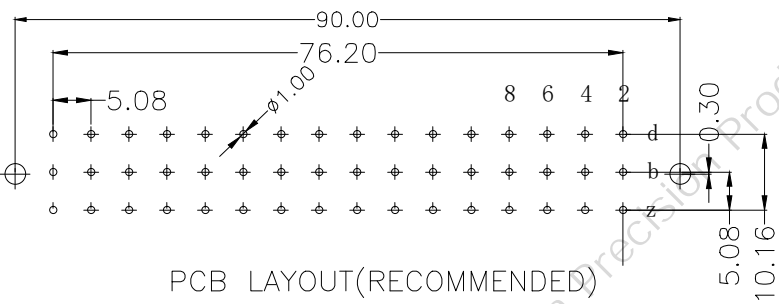
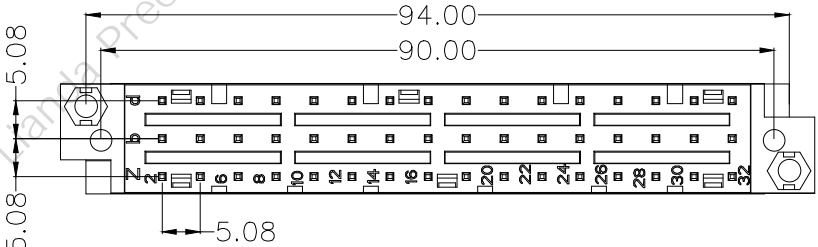
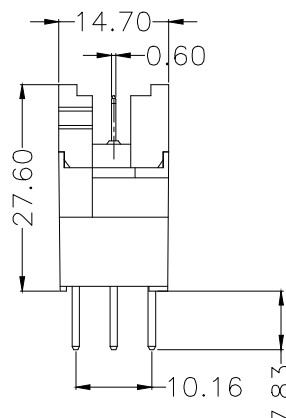
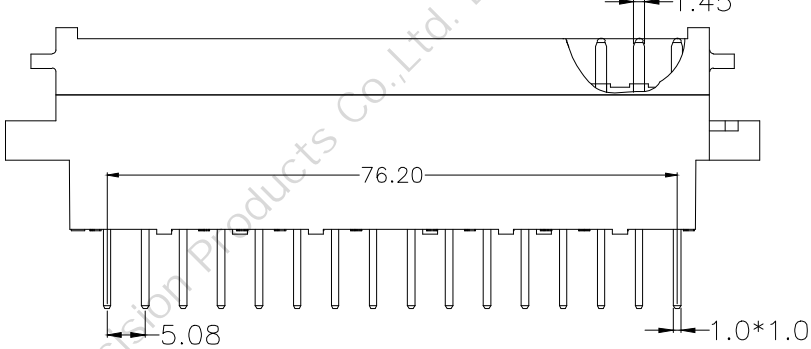
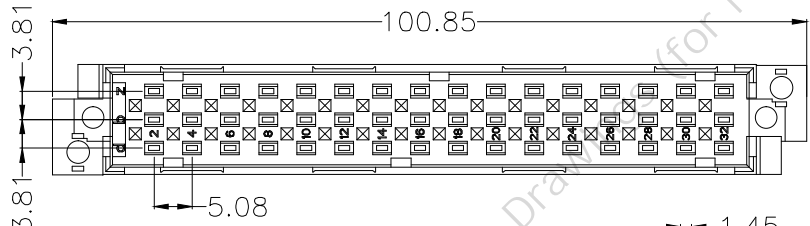
Current rating: 5.6 Amps .

Contact resistance: 15 mΩ max

Insulation resistance: 1000 MΩ min

Dielectric withstanding voltage: AC 1550V

Operating temperature: -55° C TO +125° C

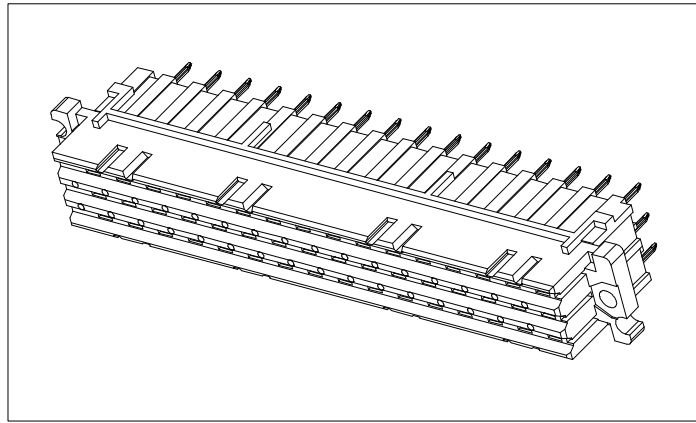


PCB LAYOUT(RECOMMENDED)
(TOP VIEW TOL. :±0.05)

Pitch	Position	Rows with Contacts	Contact Arrange
5.08mm	48	A B C	
	32	A - C	
	16	A - -	

公差一览表 TOLERANCE UNLESS OTHERWISE			
X.	±0.25	X°.	±5°
.X	±0.20	.X°.	±2°
.XX	±0.15	.XX°.	±1°
.XXX	±0.02	.XXX°.	±0.5°
日期 Date	2009. 04. 15		

欧式插座DIN 41612 348大电流直针公座



SPECIFICATION

MATERIAL:

Housing: PBT+30%G. F UL94V-0

Contacts: Copper Alloy

ELECTRICAL:

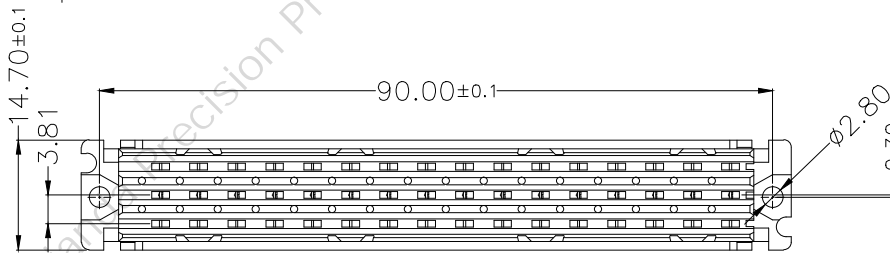
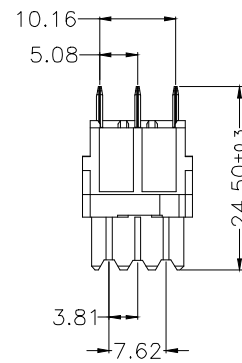
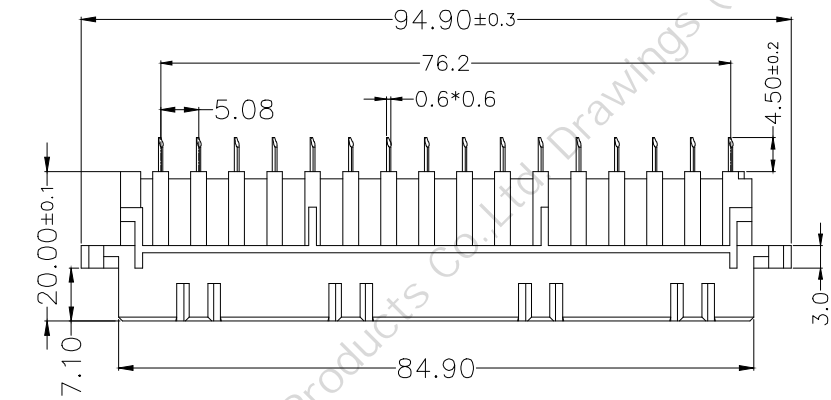
Current rating: 5.6 Amps .

Contact resistance: 15 mΩ max

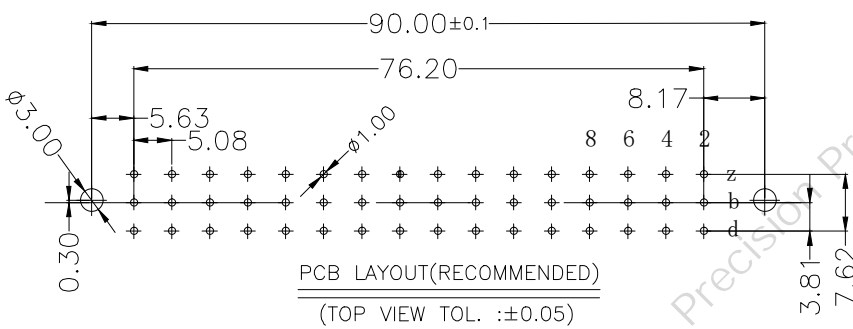
Insulation resistance: 1000 MΩ min

Dielectric withstanding voltage: AC 1550V

Operating temperature: -55° C TO +125° C



Pitch	Position	Rows with Contacts	Contact Arrange
5.08mm	48	A B C	
	32	A - C	
	16	A - -	



公差一览表 TOLERANCE UNLESS OTHERWISE			
X.	±0.25	X°.	±5°
.X	±0.20	.X°.	±2°
.XX	±0.15	.XX°.	±1°
.XXX	±0.02	.XXX°.	±0.5°
日期 Date	2009. 04. 15		

欧式插座DIN 41612 348大电流直针母座 (高塑)

SPECIFICATION

MATERIAL:

Housing: PBT+30%G. F UL94V-0

Contacts: Copper Alloy

ELECTRICAL:

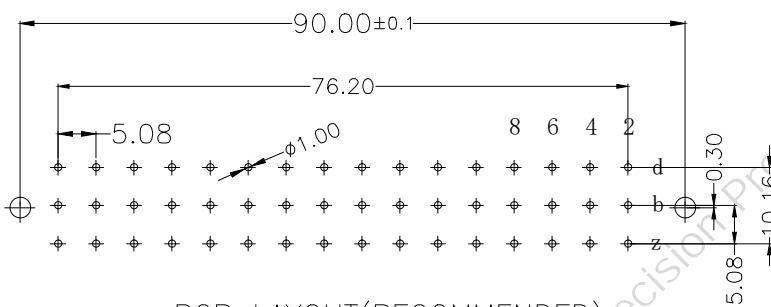
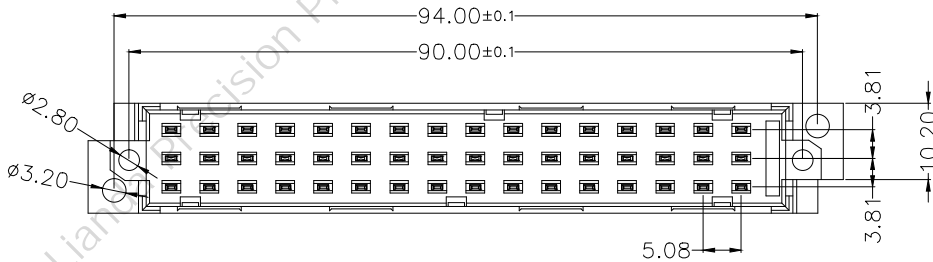
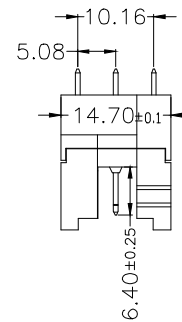
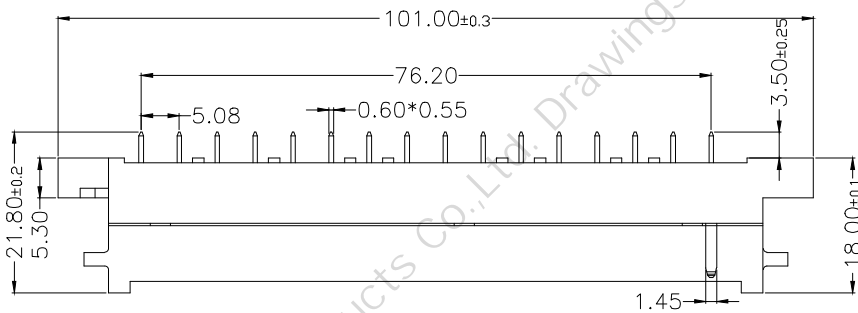
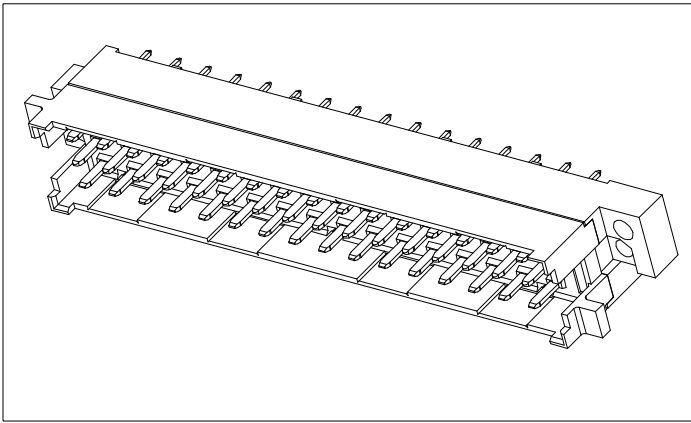
Current rating: 5.6 Amps .

Contact resistance: 15 mΩ max

Insulation resistance: 1000 MΩ min

Dielectric withstanding voltage: AC 1550V

Operating temperature: -55° C TO +125° C



PCB LAYOUT(RECOMMENDED)

(TOP VIEW TOL. :±0.05)

Pitch	Position	Rows with Contacts	Contact Arrange
5.08mm	48	A B C	
	32	A - C	
	16	A - -	

公差一览表 TOLERANCE UNLESS OTHERWISE			
X.	±0.25	X°.	±5°
.X	±0.20	.X°.	±2°
.XX	±0.15	.XX°.	±1°
.XXX	±0.02	.XXX°.	±0.5°
日期 Date	2009. 04. 15		

欧式插座DIN 41612 348大电流直针公座 (低塑)