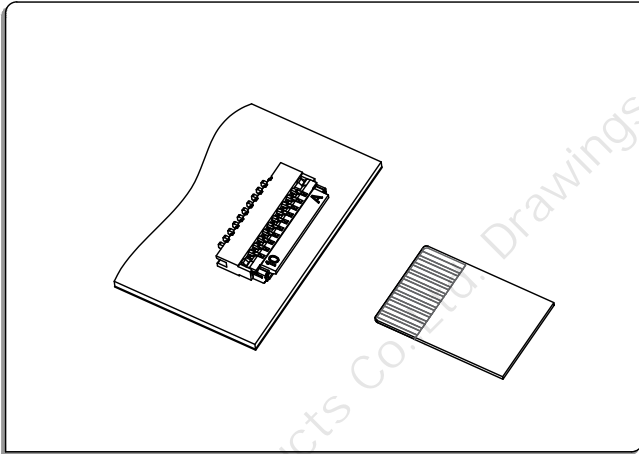


# XW0510 Connector 0.5mm Pitch H1.0

FPC  
0.5

XW0510 Connector 0.5mm Pitch

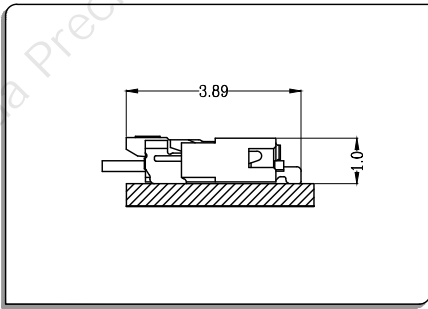


### ● 技术参数 SPECIFICATIONS

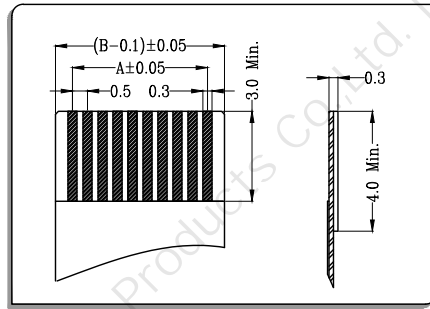
- 1、极数CKT: 4Pin to 50Pin
- 2、额定电流Current rating: 0.5A AC/DC
- 3、额定电压Voltage rating(max): 50V, AC/DC
- 4、工作温度Working Temperature: -25°C~+85°C,  
(含通电温度上升值)  
(Including temperature rise in applying electrical current)
- 5、接触电阻Contact resistance: 初始Initial value  $\leq 30m\Omega$   
环境测试后After environmental testing  $\leq 50m\Omega$
- 6、绝缘电阻Insulation resistance:  $\geq 500M\Omega$
- 7、耐电压Withstand voltage: 500VAC(rms)
- 8、适用基板厚度Applicable PC board thickness: 1.6mm to 2.0mm

### ● 安装尺寸 Mounting Measurement

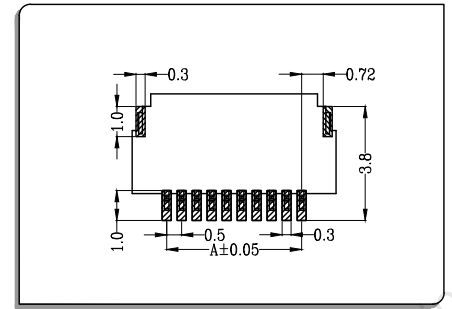
#### ● Assembly Layout



#### ● Applicable Flat Cable



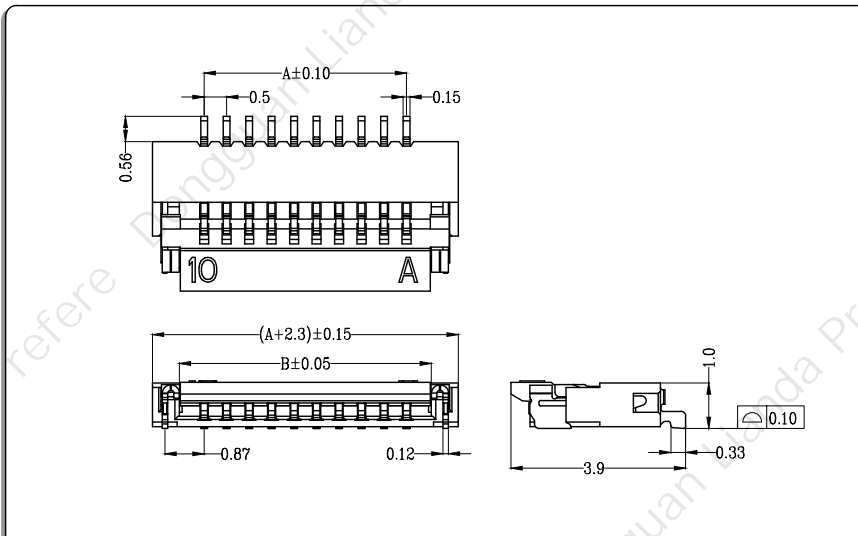
#### ● P.C.B Layout



### ● 掀盖卧式 Easy-on R/A

#### ● 材料与表面处理 Material and Finish:

Housing:LCP UL94V-0 & Terminal:phosphor bronze &  
Fitting:phosphor bronze; Finish:Tin-plated & Gold-plated



CKT	Part No	DIM A	DIM B
4	XW05102-04	1.50	2.60
5	XW05102-05	2.00	3.10
6	XW05102-06	2.50	3.60
7	XW05102-07	3.00	4.10
8	XW05102-08	3.50	4.60
9	XW05102-09	4.00	5.10
10	XW05102-10	4.50	5.60
11	XW05102-11	5.00	6.10
12	XW05102-12	5.50	6.60
13	XW05102-13	6.00	7.10
14	XW05102-14	6.50	7.60
--	-- --	--	--
50	XW05102-50	24.50	25.60