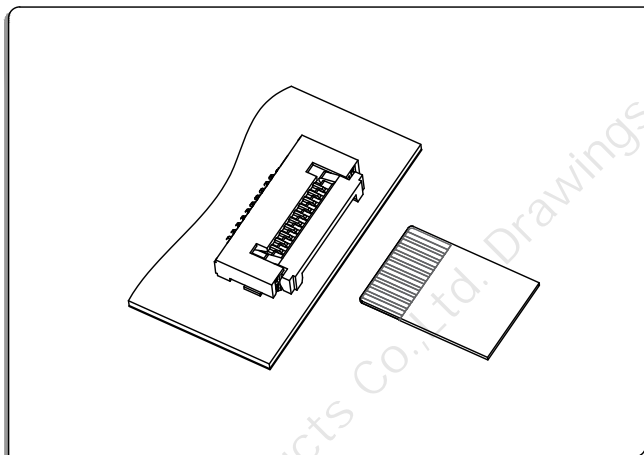


# XW0515 Connector 0.5mm Pitch H1.5

FPC  
0.5

XW0515 Connector 0.5mm Pitch

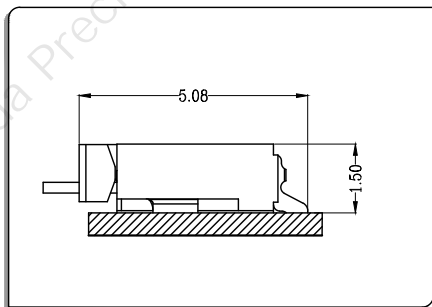


## ● 技术参数 SPECIFICATIONS

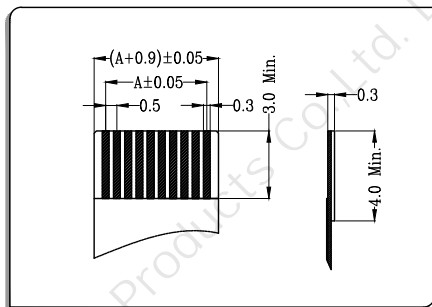
- 1、极数CKT: 4Pin to 60Pin
- 2、额定电流Current rating: 0.5A AC/DC
- 3、额定电压Voltage rating(max): 50V, AC/DC
- 4、工作温度Working Temperature: -25°C~+85°C, (含通电温度上升值)  
(Including temperature rise in applying electrical current)
- 5、接触电阻Contact resistance: 初始Initial value  $\leq 30m\Omega$   
环境测试后After environmental testing  $\leq 50m\Omega$
- 6、绝缘电阻Insulation resistance:  $\geq 500M\Omega$
- 7、耐电压Withstand voltage: 500VAC(rms)
- 8、适用基板厚度Applicable PC board thickness: 1.6mm to 2.0mm

## ● 安装尺寸 Mounting Measurement

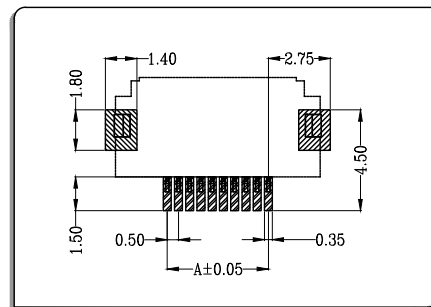
### ● Assembly Layout



### ● Applicable Flat Cable



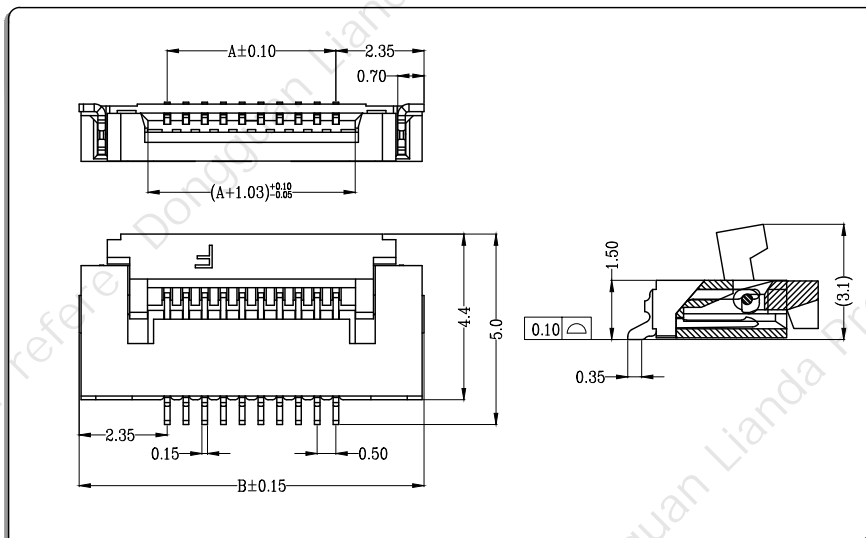
### ● P.C.B Layout



## ● 掀盖卧式 Easy-on R/A

### ● 材料与表面处理 Material and Finish:

Housing:LCP UL94V-0 & Terminal:phosphor bronze & Fitting:phosphor bronze; Finish:Tin-plated & Gold-plated



CKT	Part No.	DIM A	DIM B
4	XW05152-04	1.50	6.20
5	XW05152-05	2.00	6.70
6	XW05152-06	2.50	7.20
7	XW05152-07	3.00	7.70
8	XW05152-08	3.50	8.20
9	XW05152-09	4.00	8.70
10	XW05152-10	4.50	9.20
11	XW05152-11	5.00	9.70
12	XW05152-12	5.50	10.20
13	XW05152-13	6.00	10.70
14	XW05152-14	6.50	11.20
--	-- --	--	--
60	XW05152-60	29.50	34.20