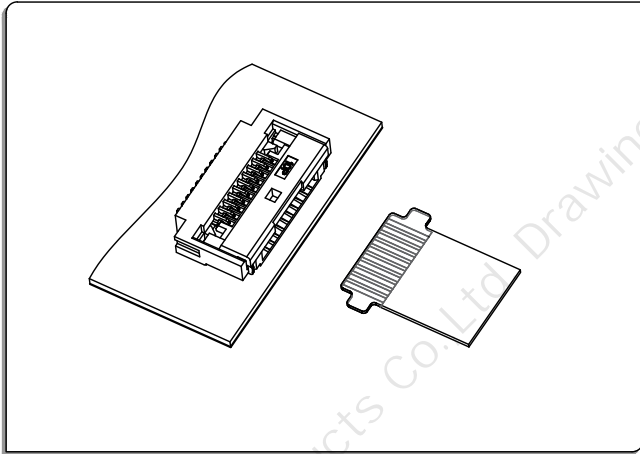


# XW0520 Connector 0.5mm Pitch H2.0

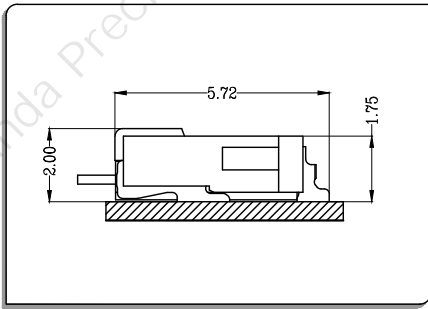


## ● 技术参数 SPECIFICATIONS

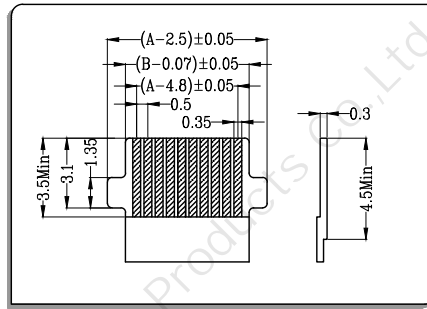
- 1、极数CKT: 5Pin to 80Pin
- 2、额定电流Current rating: 0.5A AC/DC
- 3、额定电压Voltage rating(max): 50V, AC/DC
- 4、工作温度Working Temperature: -25℃~+85℃,  
(含通电温度上升值)  
(Including temperature rise in applying electrical current)
- 5、接触电阻Contact resistance:value  $\leq 50m\Omega$
- 6、绝缘电阻Insulation resistance:  $\geq 500M\Omega$
- 7、耐电压Withstand voltage: 150VAC(rms)
- 8、适用基板厚度Applicable PC board thickness: 1.6mm to 2.0mm

## ● 安装尺寸 Mounting Measurement

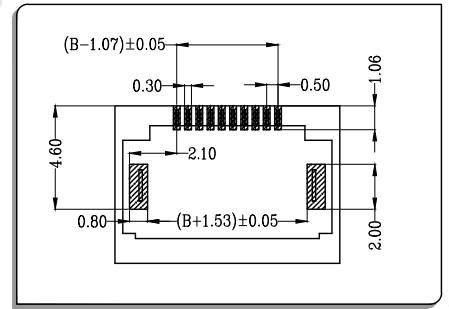
### ● Assembly Layout



### ● Applicable Flat Cable



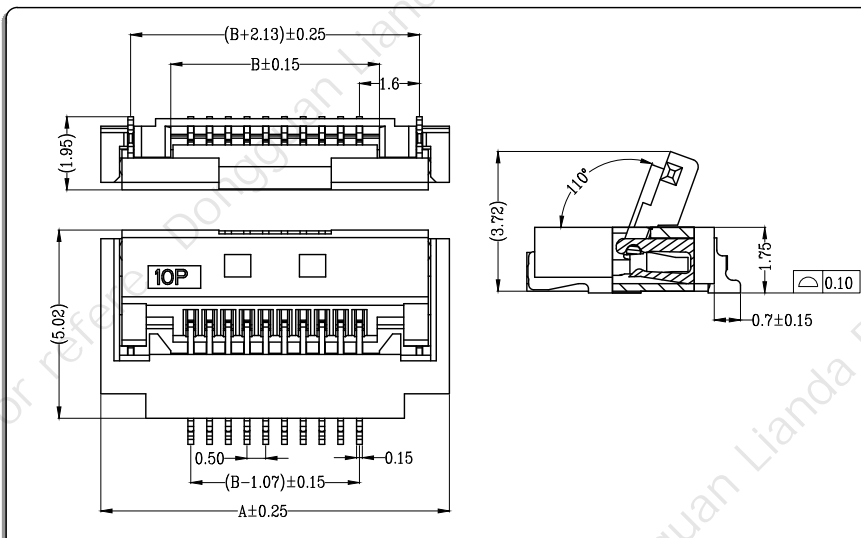
### ● P.C.B Layout



## ● 掀盖卧式(带扣) Easy-on R/A With Buckle

### ● 材料与表面处理 Material and Finish:

Housing:LCP UL94V-0 & Terminal:phosphor bronze &  
Fitting:phosphor bronze; Finish:Tin-plated & Gold-plated



CKT	Part No	DIM A	DIM B
5	XW05202-05	6.80	3.07
6	XW05202-06	7.30	3.57
7	XW05202-07	7.80	4.07
8	XW05202-08	8.30	4.57
9	XW05202-09	8.80	5.07
10	XW05202-10	9.30	5.57
11	XW05202-11	9.80	6.07
12	XW05202-12	10.30	6.57
13	XW05202-13	10.80	7.07
14	XW05202-14	11.30	7.57
15	XW05202-15	11.80	8.07
--	--	--	--
80	XW05202-80	44.30	40.57