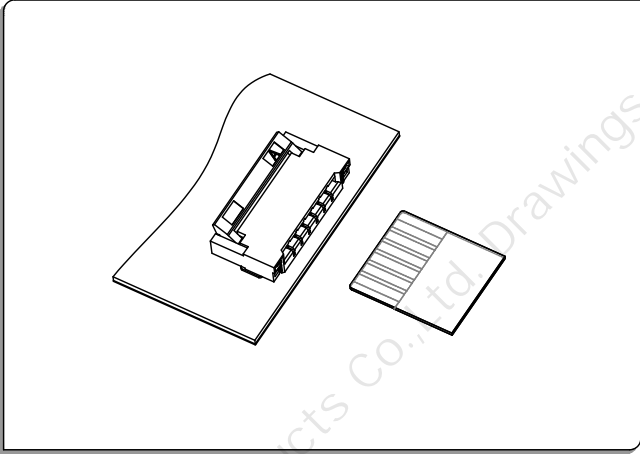


# HW1020 Connector 1.0mm Pitch H2.0

FPC  
1.0

HW1020 Connector 1.0mm Pitch

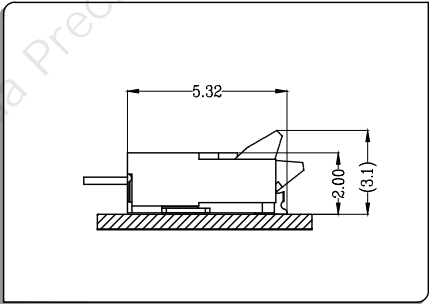


### ● 技术参数 SPECIFICATIONS

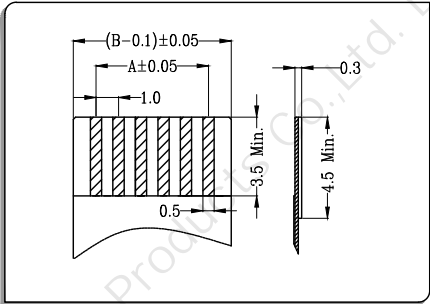
- 1、极数CKT: 4Pin to 30Pin
- 2、额定电流Current rating: 0.5A AC/DC
- 3、额定电压Voltage rating(max): 50V, AC/DC
- 4、工作温度Working Temperature: -25°C~+85°C, (含通电温度上升值)  
(Including temperature rise in applying electrical current)
- 5、接触电阻Contact resistance: 初始Initial value  $\leq 30m\Omega$   
环境测试后After environmental testing  $\leq 50m\Omega$
- 6、绝缘电阻Insulation resistance:  $\geq 500M\Omega$
- 7、耐电压Withstand voltage: 500VAC(rms)
- 8、适用基板厚度Applicable PC board thickness: 1.6mm to 2.0mm

### ● 安装尺寸 Mounting Measurement

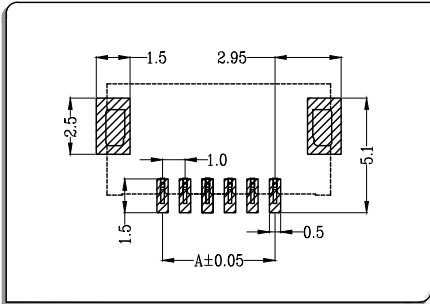
#### ● Assembly Layout



#### ● Applicable Flat Cable

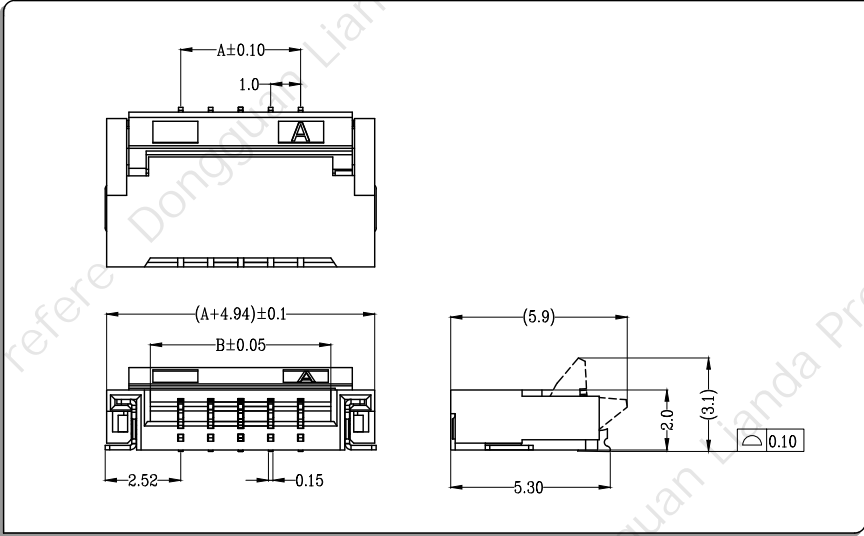


#### ● P.C.B Layout



### ● 后压卧式 Back Flip R/A

● 材料与表面处理 Material and Finish:  
Housing:LCP UL94V-0 & Terminal:phosphor bronze & Fitting:phosphor bronze; Finish:Tin-plated & Gold-plated



CKT	Part No.	DIM A	DIM B
4	HW10200-04	3.00	5.02
5	HW10200-05	4.00	6.02
6	HW10200-06	5.00	7.02
7	HW10200-07	6.00	8.02
8	HW10200-08	7.00	9.02
9	HW10200-09	8.00	10.02
10	HW10200-10	9.00	11.02
11	HW10200-11	10.00	12.02
12	HW10200-12	11.00	13.02
13	HW10200-13	12.00	14.02
14	HW10200-14	13.00	15.02
--	-- --	--	--
30	HW10200-30	29.00	31.02