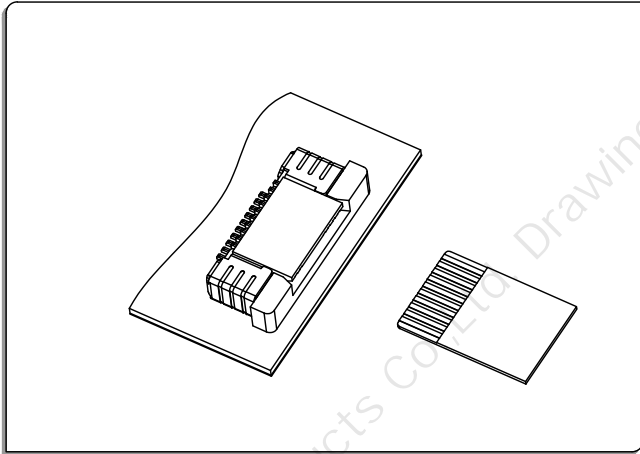


# LW0520 Connector 0.5mm Pitch H2.0

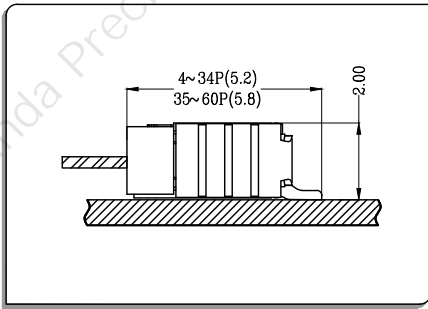


## ● 技术参数 SPECIFICATIONS

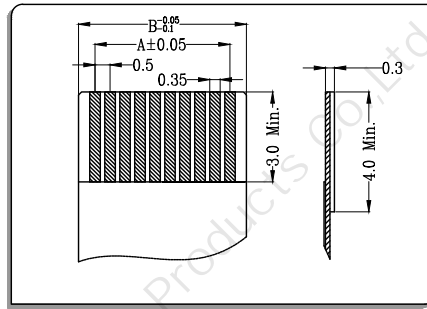
- 1、极数CKT: 4Pin to 60Pin
- 2、额定电流Current rating: 0.5A AC/DC
- 3、额定电压Voltage rating(max): 50V, AC/DC
- 4、工作温度Working Temperature:  $-25^{\circ}\text{C} \sim +85^{\circ}\text{C}$ ,  
(含通电温度上升值)  
(Including temperature rise in applying electrical current)
- 5、接触电阻Contact resistance: 初始Initial value  $\leq 30\text{m}\Omega$   
环境测试后After environmental testing  $\leq 50\text{m}\Omega$
- 6、绝缘电阻Insulation resistance:  $\geq 500\text{M}\Omega$
- 7、耐电压Withstand voltage: 500VAC(rms)
- 8、适用基板厚度Applicable PC board thickness: 1.6mm to 2.0mm

## ● 安装尺寸 Mounting Measurement

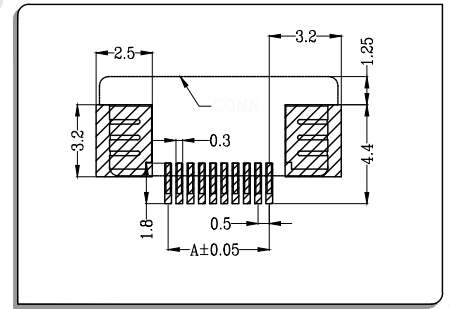
### ● Assembly Layout



### ● Applicable Flat Cable



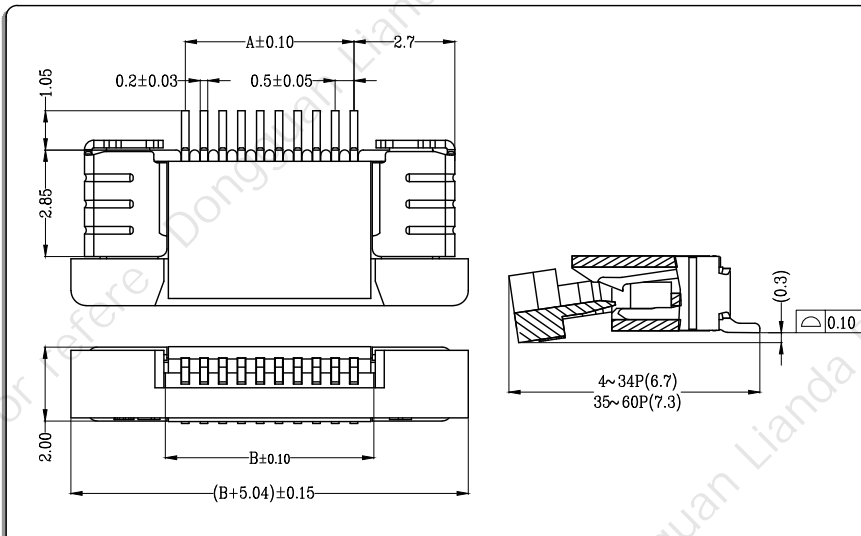
### ● P.C.B Layout



## ● 拉拔卧式上接触(抽屉式) ZIF R/A Upper contact

### ● 材料与表面处理 Material and Finish:

Housing:LCP UL94V-0 & Terminal:phosphor bronze & Fitting:Brass; Finish:Tin-plated & Gold-plated



CKT	Part No	DIM A	DIM B
4	LW05201-04	1.50	2.56
5	LW05201-05	2.00	3.06
6	LW05201-06	2.50	3.56
7	LW05201-07	3.00	4.06
8	LW05201-08	3.50	4.56
9	LW05201-09	4.00	5.06
10	LW05201-10	4.50	5.56
11	LW05201-11	5.00	6.06
12	LW05201-12	5.50	6.56
13	LW05201-13	6.00	7.06
14	LW05201-14	6.50	7.56
--	-- --	--	--
60	LW05201-60	29.50	30.56