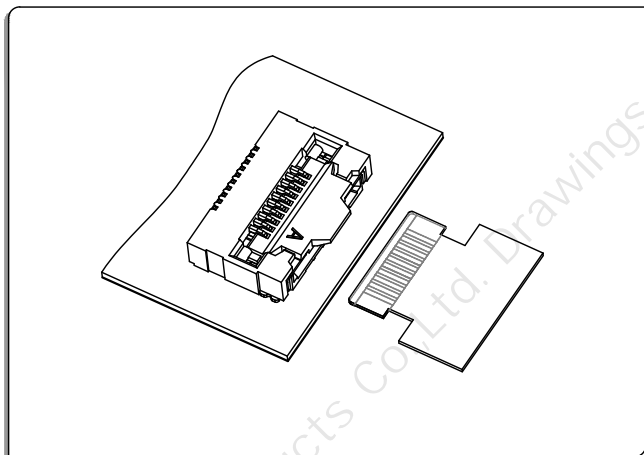


XW0522 Connector 0.5mm Pitch H2.2

FPC
0.5

XW0522 Connector 0.5mm Pitch

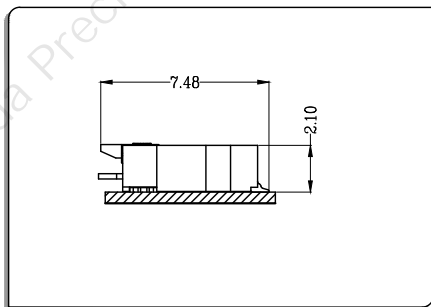


● 技术参数 SPECIFICATIONS

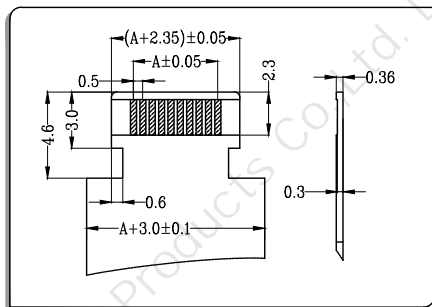
- 1、极数CKT: 5Pin to 96Pin
- 2、额定电流Current rating: 0.5A AC/DC
- 3、额定电压Voltage rating(max): 50V, AC/DC
- 4、工作温度Working Temperature: -25°C~+85°C, (含通电温度上升值)
(Including temperature rise in applying electrical current)
- 5、接触电阻Contact resistance:value $\leq 30m\Omega$
- 6、绝缘电阻Insulation resistance: $\geq 100M\Omega$
- 7、耐电压Withstand voltage: 500VAC(rms)
- 8、适用基板厚度Applicable PC board thickness: 1.6mm to 2.0mm

● 安装尺寸 Mounting Measurement

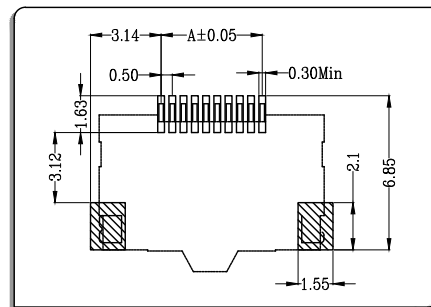
● Assembly Layout



● Applicable Flat Cable



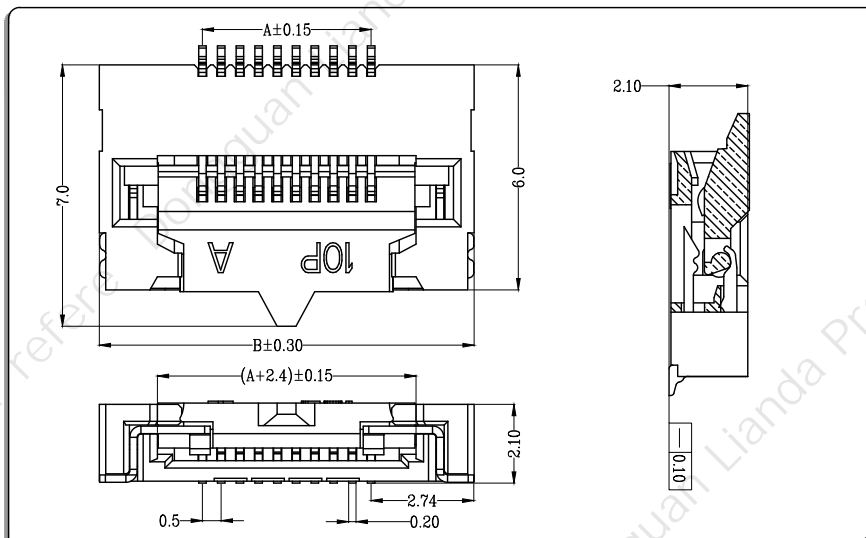
● P.C.B Layout



● 掀盖卧式(带扣) Easy-on R/A With Buckle

● 材料与表面处理 Material and Finish:

Housing:LCP UL94V-0 & Terminal:phosphor bronze & Fitting:phosphor bronze; Finish:Tin-plated & Gold-plated



CKT	Part No.	DIM A	DIM B
5	XW05222-05	2.00	7.50
6	XW05222-06	2.50	8.00
7	XW05222-07	3.00	8.50
8	XW05222-08	3.50	9.00
9	XW05222-09	4.00	9.50
10	XW05222-10	4.50	10.00
11	XW05222-11	5.00	10.50
12	XW05222-12	5.50	11.00
13	XW05222-13	6.00	11.50
14	XW05222-14	6.50	12.00
15	XW05222-15	7.00	12.50
--	-- --	--	--
96	XW05222-96	47.50	53.00