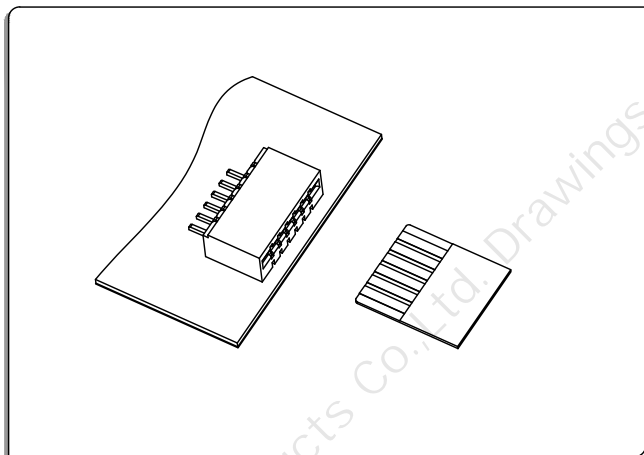


WW1029 Connector 1.0mm Pitch H2.9

FPC
1.0

WW1029 Connector 1.0mm Pitch

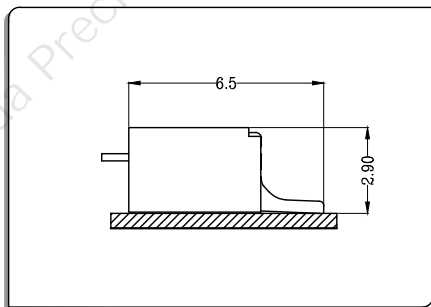


● 技术参数 SPECIFICATIONS

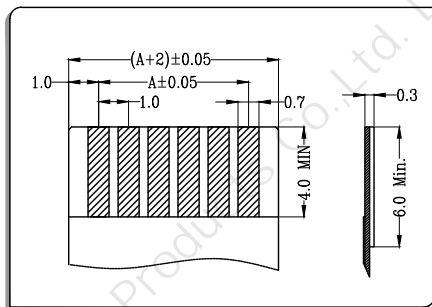
- 1、极数CKT: 4Pin to 30Pin
- 2、额定电流Current rating: 0.5A AC/DC
- 3、额定电压Voltage rating(max): 50V, AC/DC
- 4、工作温度Working Temperature: -25°C~+85°C,
(含通电温度上升值)
(Including temperature rise in applying electrical current)
- 5、接触电阻Contact resistance: 初始Initial value $\leq 30m\Omega$
环境测试后After environmental testing $\leq 60m\Omega$
- 6、绝缘电阻Insulation resistance: $\geq 500M\Omega$
- 7、耐电压Withstand voltage: 500VAC (rms)
- 8、适用基板厚度Applicable PC board thickness: 1.6mm to 2.0mm

● 安装尺寸 Mounting Measurement

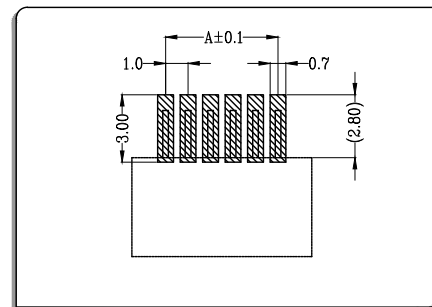
● Assembly Layout



● Applicable Flat Cable

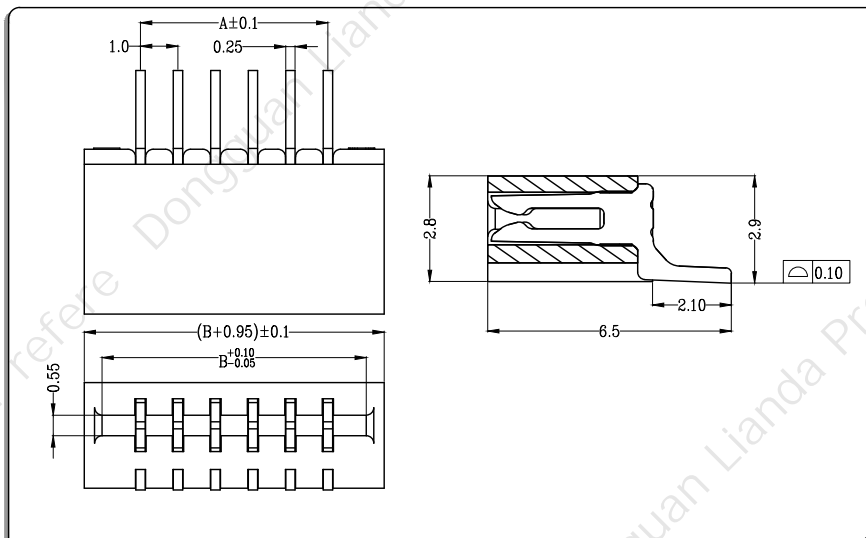


● P.C.B Layout



● 无盖卧式(双面接触) Non-ZIF R/A Double-sided contact

- 材料与表面处理 Material and Finish:
Housing:LCP UL94V-0 & Terminal:phosphor bronze
Finish:Tin-plated & Gold-plated



CKT	Part No	DIM A	DIM B
4	WW10290-04	3.00	5.05
5	WW10290-05	4.00	6.05
6	WW10290-06	5.00	7.05
7	WW10290-07	6.00	8.05
8	WW10290-08	7.00	9.05
9	WW10290-09	8.00	10.05
10	WW10290-10	9.00	11.05
11	WW10290-11	10.00	12.05
12	WW10290-12	11.00	13.05
13	WW10290-13	12.00	14.05
14	WW10290-14	13.00	15.05
--	-- --	--	--
30	WW10290-30	29.00	31.05