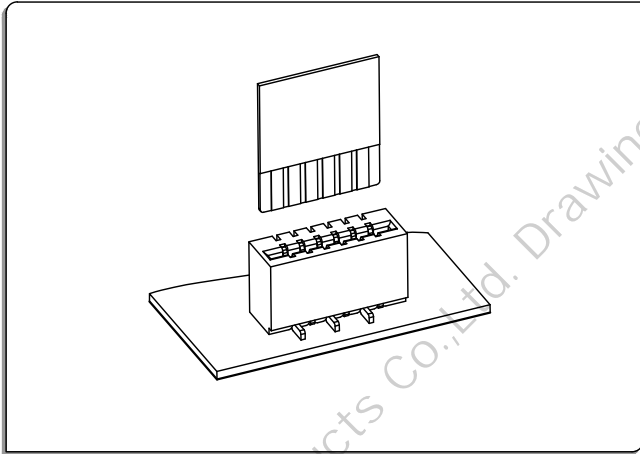


WL1045 Connector 1.0mm Pitch H4.5

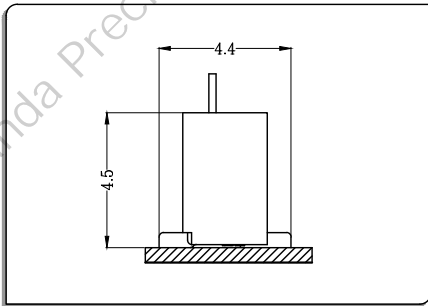


● 技术参数 SPECIFICATIONS

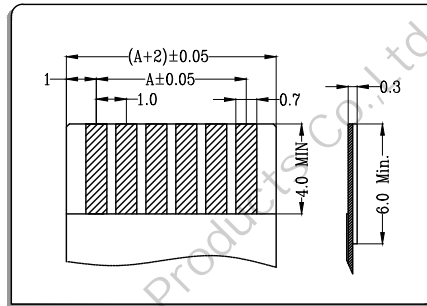
1. 极数CKT: 4Pin to 30Pin
2. 额定电流Current rating: 0.5A AC/DC
3. 额定电压Voltage rating(max): 50V, AC/DC
4. 工作温度Working Temperature: $-25^{\circ}\text{C} \sim +85^{\circ}\text{C}$,
(含通电温度上升值)
(Including temperature rise in applying electrical current)
5. 接触电阻Contact resistance: 初始Initial value $\leq 30\text{m}\Omega$
环境测试后After environmental testing $\leq 60\text{m}\Omega$
6. 绝缘电阻Insulation resistance: $\geq 500\text{M}\Omega$
7. 耐电压Withstand voltage: 500VAC(rms)
8. 适用基板厚度Applicable PC board thickness: 1.6mm To 2.0mm

● 安装尺寸 Mounting Measurement

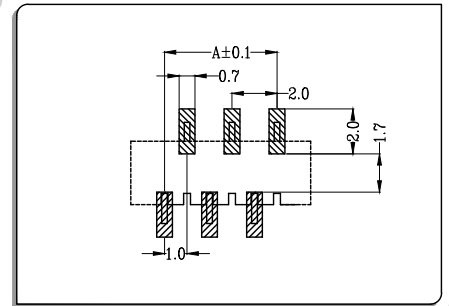
● Assembly Layout



● Applicable Flat Cable



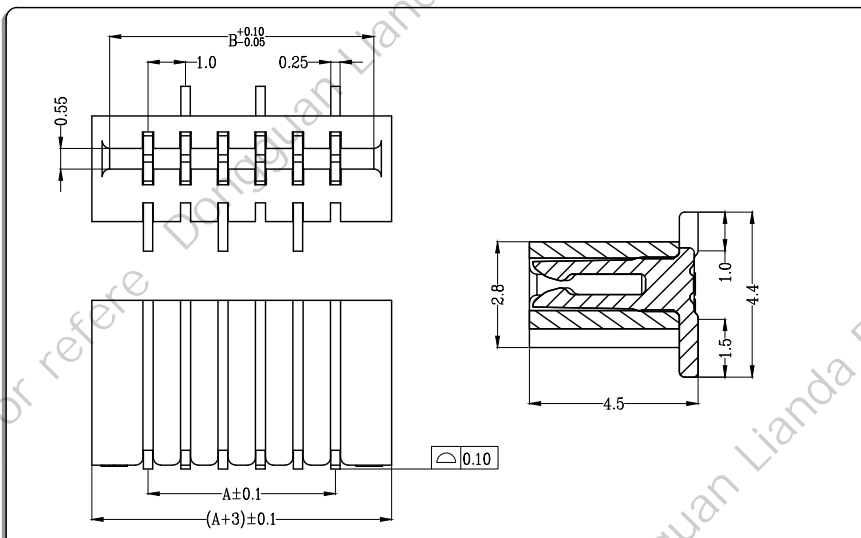
● P. C. B Layout



● 无盖立式(正脚) Non-ZIF S/T Positive pointer

● 材料与表面处理 Material and Finish:

Housing:LCP UL94V-0 & Terminal:phosphor bronze
Finish:Tin-plated & Gold-plated

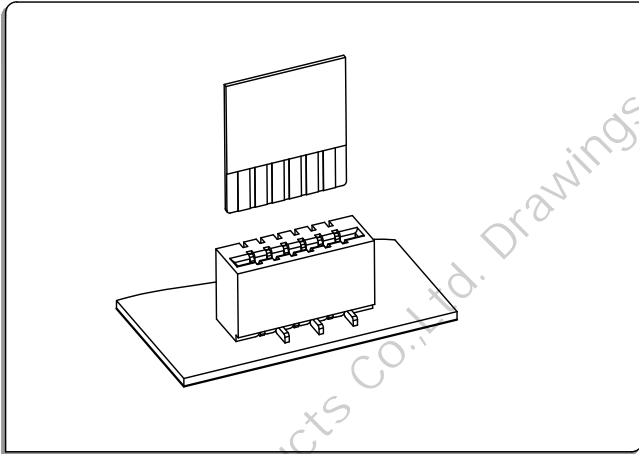


CKT	Part No	DIM A	DIM B
4	WL10453-04	3.00	5.05
5	WL10453-05	4.00	6.05
6	WL10453-06	5.00	7.05
7	WL10453-07	6.00	8.05
8	WL10453-08	7.00	9.05
9	WL10453-09	8.00	10.05
10	WL10453-10	9.00	11.05
11	WL10453-11	10.00	12.05
12	WL10453-12	11.00	13.05
13	WL10453-13	12.00	14.05
14	WL10453-14	13.00	15.05
--	-- --	--	--
30	WL10453-30	29.00	31.05

WL1045 Connector 1.0mm Pitch H4.5

FPC
1.0

WL1045 Connector 1.0mm Pitch

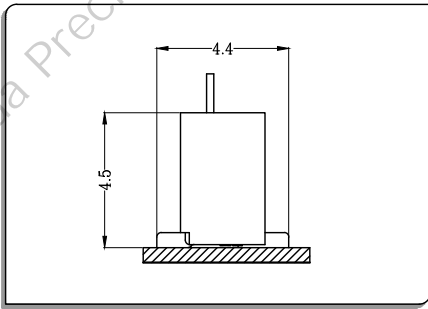


● 技术参数 SPECIFICATIONS

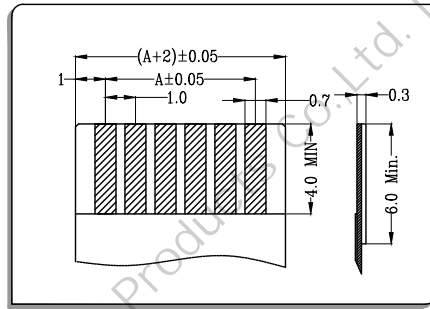
1. 极数CKT: 4Pin to 30Pin
2. 额定电流Current rating: 0.5A AC/DC
3. 额定电压Voltage rating(max): 50V, AC/DC
4. 工作温度Working Temperature: -25°C~+85°C, (含通电温度上升值)
(Including temperature rise in applying electrical current)
5. 接触电阻Contact resistance: 初始Initial value $\leq 30\text{m}\Omega$
环境测试后After environmental testing $\leq 60\text{m}\Omega$
6. 绝缘电阻Insulation resistance: $\geq 500\text{M}\Omega$
7. 耐电压Withstand voltage: 500VAC(rms)
8. 适用基板厚度Applicable PC board thickness: 1.6mm to 2.0mm

● 安装尺寸 Mounting Measurement

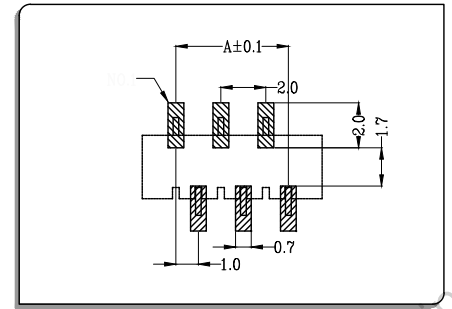
● Assembly Layout



● Applicable Flat Cable

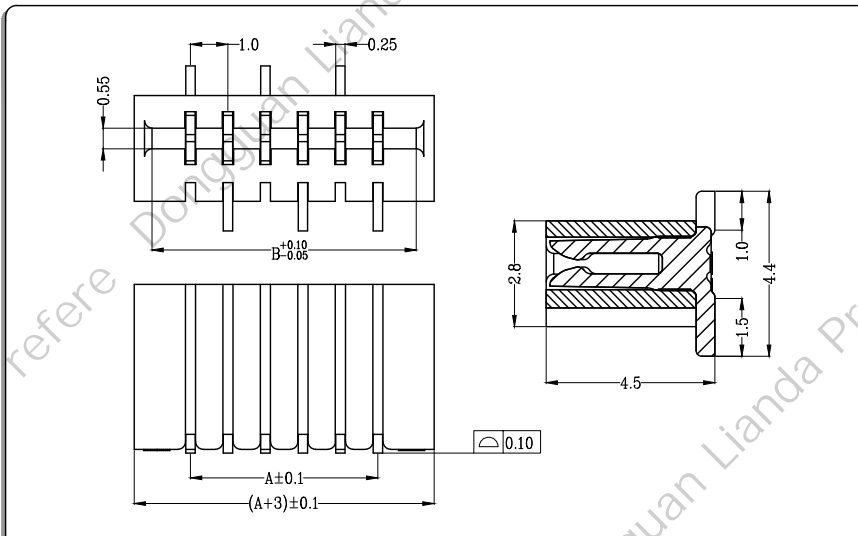


● P.C.B Layout



● 无盖立式(反脚) Non-ZIF S/T Reversed pointer

- 材料与表面处理 Material and Finish:
Housing:LCP UL94V-0 & Terminal:phosphor bronze
Finish:Tin-plated & Gold-plated



CKT	Part No	DIM A	DIM B
4	WL10454-04	3.00	5.05
5	WL10454-05	4.00	6.05
6	WL10454-06	5.00	7.05
7	WL10454-07	6.00	8.05
8	WL10454-08	7.00	9.05
9	WL10454-09	8.00	10.05
10	WL10454-10	9.00	11.05
11	WL10454-11	10.00	12.05
12	WL10454-12	11.00	13.05
13	WL10454-13	12.00	14.05
14	WL10454-14	13.00	15.05
--	-- --	--	--
30	WL10454-30	29.00	31.05