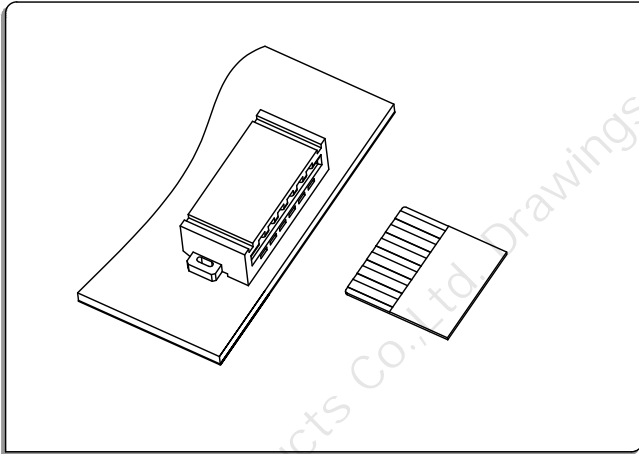


# KB1232 Connector 1.25mm Pitch

FPC  
1.25

KB1232 Connector 1.25mm Pitch

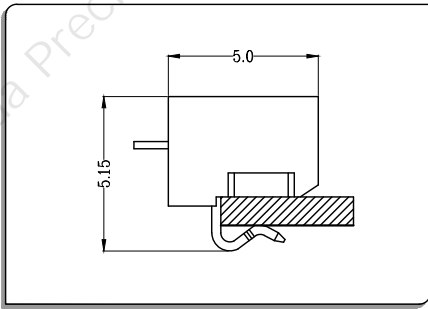


## ● 技术参数 SPECIFICATIONS

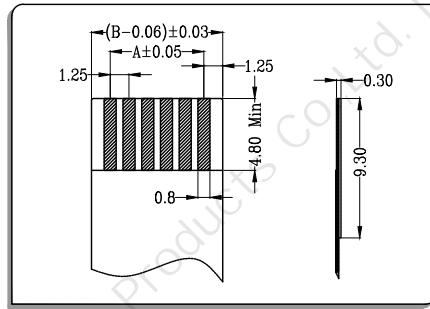
- 1、极数CKT: 4Pin to 30Pin
- 2、额定电流Current rating: 0.5A AC/DC
- 3、额定电压Voltage rating(max): 50V, AC/DC
- 4、工作温度Working Temperature:  $-25^{\circ}\text{C} \sim +85^{\circ}\text{C}$ ,  
(含通电温度上升值)  
(Including temperature rise in applying electrical current)
- 5、接触电阻Contact resistance: 初始Initial value  $\leq 30\text{m}\Omega$   
环境测试后After environmental testing  $\leq 50\text{m}\Omega$
- 6、绝缘电阻Insulation resistance:  $\geq 100\text{M}\Omega$
- 7、耐电压Withstand voltage: 500VAC(rms)
- 8、适用基板厚度Applicable PC board thickness: 1.6mm to 2.0mm

## ● 安装尺寸 Mounting Measurement

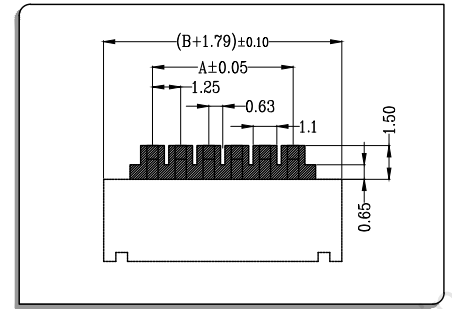
### ● Assembly Layout



### ● Applicable Flat Cable

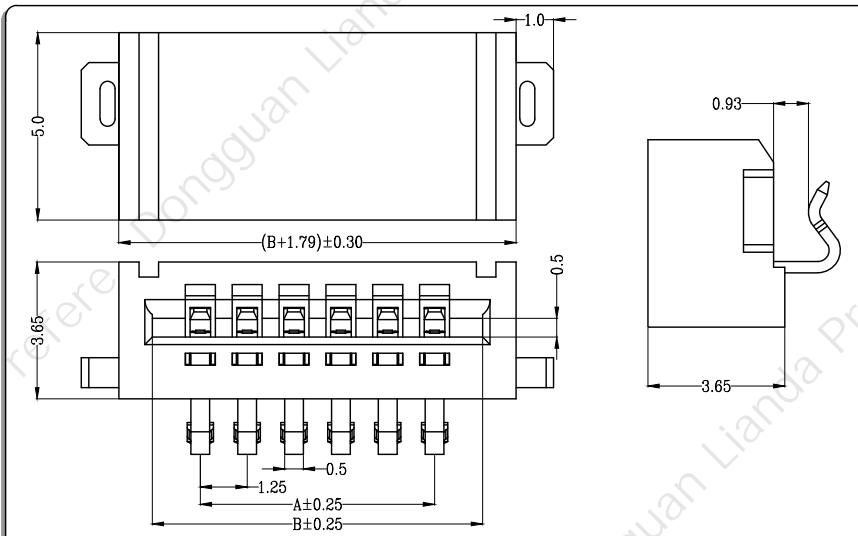


### ● P.C.B Layout



## ● 卡板式

- 材料与表面处理 Material and Finish:  
Housing: PA6T UL94V-0 & Terminal: phosphor bronze  
Finish: Tin-plated & Gold-plated



CKT	Part No	DIM A	DIM B
4	KB12320-04	3.75	6.31
6	KB12320-06	6.25	8.81
8	KB12320-08	8.75	11.31
10	KB12320-10	11.25	13.81
12	KB12320-12	13.75	16.31
14	KB12320-14	16.25	18.81
16	KB12320-16	18.75	21.31
18	KB12320-18	21.25	23.81
20	KB12320-20	23.75	26.31
22	KB12320-22	26.25	28.31
24	KB12320-24	28.75	31.31
--	--	--	--
30	KB12320-30	36.25	38.81