

NOTES:

MATERIAL:

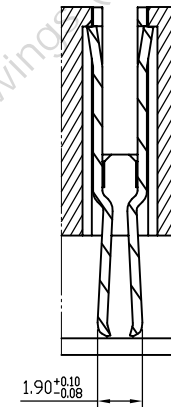
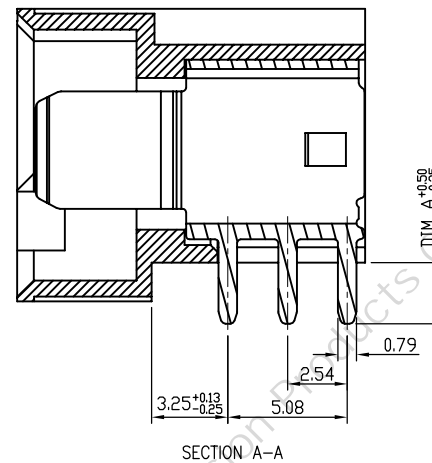
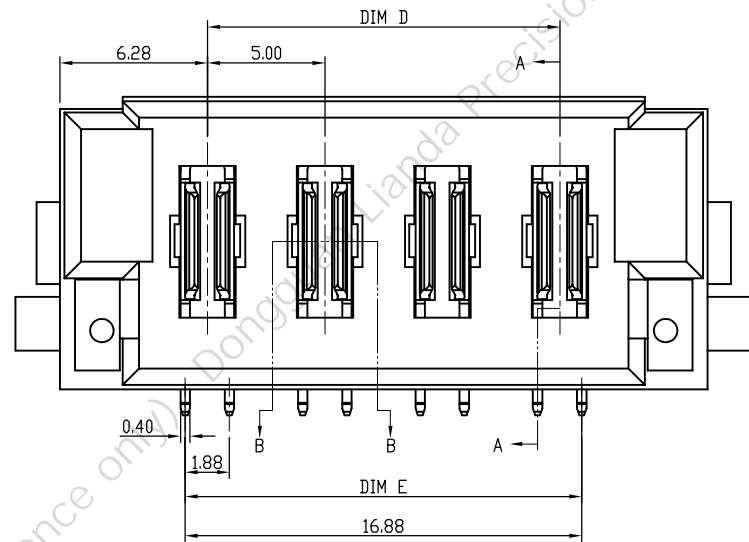
- 1.HOUSING:THERMO-PLASTIC. UL 94V-0 NATURE
- 2.CONTACT:PHOSPHOR BRONZE  
CONTACT:SEE ORDER INF ORMATION;  
SOLDER:10 $\mu$ " GOLD IN CONTACT AREA, MATTE TIN ON TAIL
- 3.LOCKING CLIP:  
MATTE TIN CONTACT AND TAIL

ELECTRICAL:

- 1.CURRENT RATING:23A-58.7 PER POWER BLADE
- 2.WITHSTANDING VOLTAGE:250V AC for 1 min
- 3.CONTACT RESISTANCE:30m $\Omega$  MAX
- 4.INSULATION RESISTANCE:1000M $\Omega$  MIN

ENVIRONMENTAL:

- 1. OPERATING TEMPERATURE:-55? TO +125?.

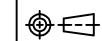


弯脚大电流公座 LPT05



A0	NEW EDITION	East_Zhou	2022.03.03
SER	修改摘要 REVISION DESCRIPTION	签名 SIGNATURE	日期 DATE

一般公差 GENERAL TOLERANCE	
∅, X	±0.30
∅, Y	±0.13
∅, Z	±0.05
ANGLES	±2°
版本 A (REV)	版本 A (REV)



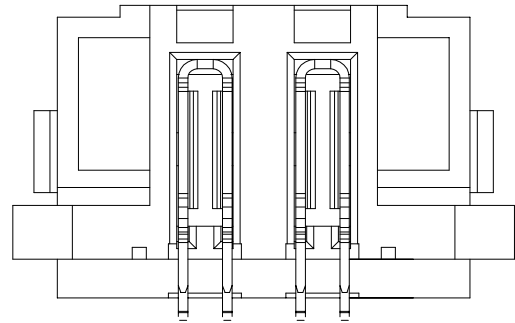


FIG 1  
LPT05x-x02-BSR

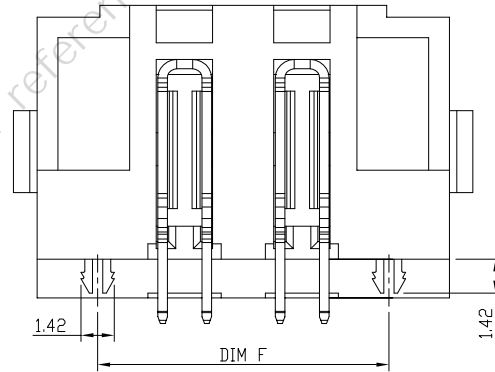
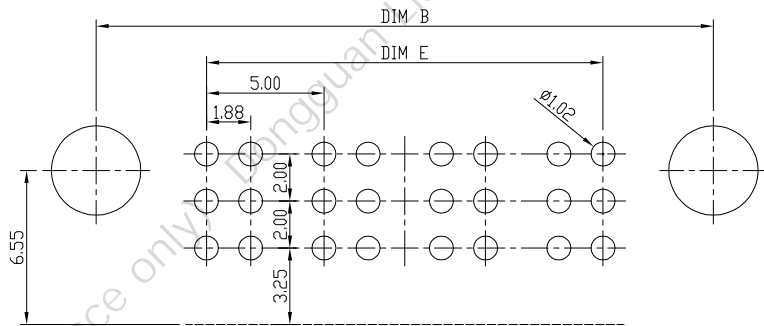
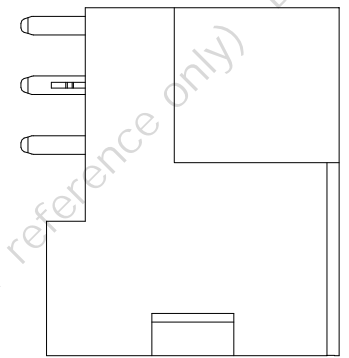
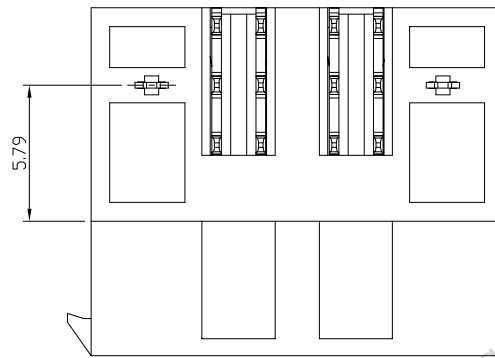
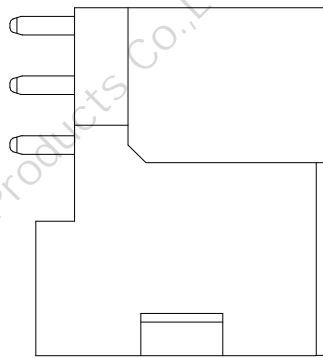
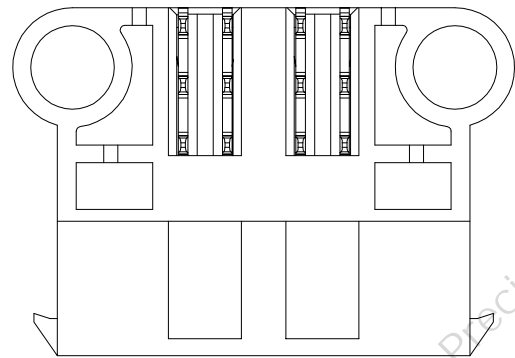
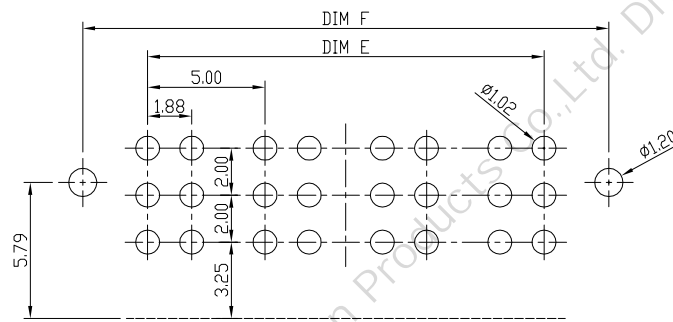


FIG 2  
LPT05x-x02-BLR



Recommended PC board pattern  
(TOP VIEW)  
LPT05x-xxx-BSR



Recommended PC board pattern  
(TOP VIEW)  
LPT05x-xxx-BLR

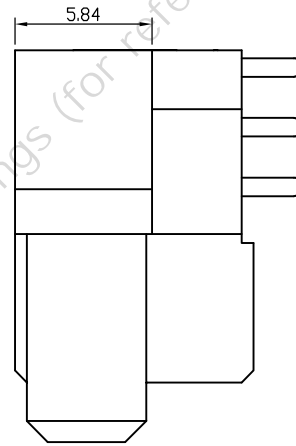
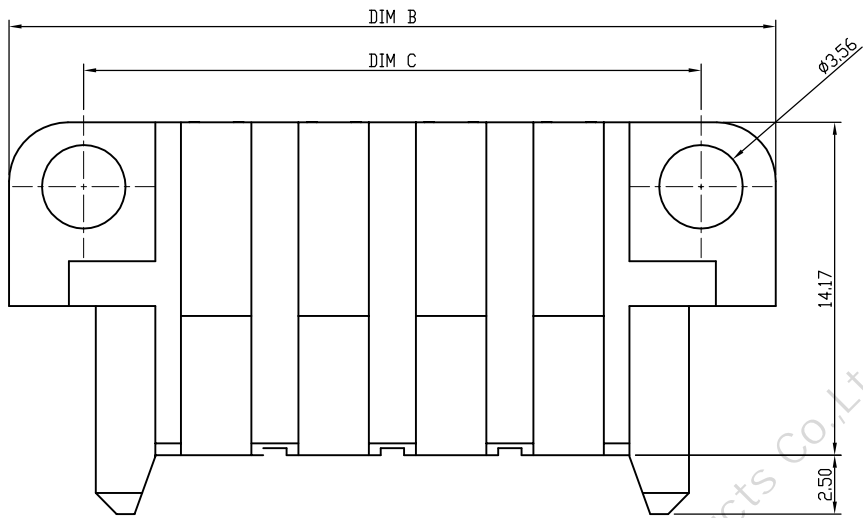
PIN	DIM B	DIM C	DIM D	DIM E	DIM F
2	16.28	17.56	5.00	6.88	12.40
4	26.28	27.56	15.00	16.88	22.40
6	36.28	37.56	25.00	26.88	32.40
8	46.28	47.56	35.00	36.88	42.40

### 弯脚大电流公座 LPT05



REV	DESCRIPTION	SIGNATURE	DATE
A0	NEW EDITION	East_Zhou	2022.03.03
SER	REVISION DESCRIPTION		

一般公差	
GENERAL TOLERANCE	
XX	$\pm 0.30$
XX	$\pm 0.13$
XX	$\pm 0.05$
ANGLES	$\pm 2^\circ$
版本 A	
(REV)	



NOTES:

MATERIAL:

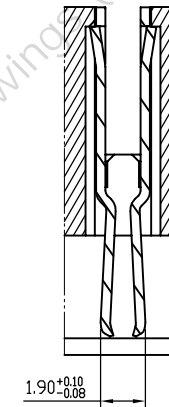
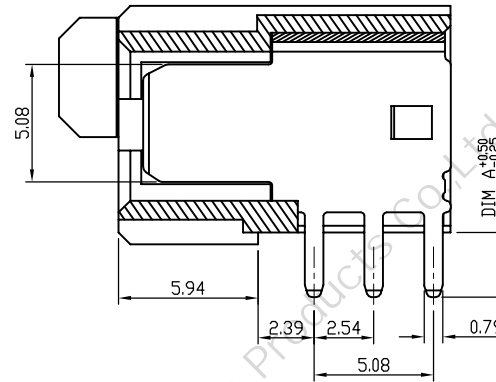
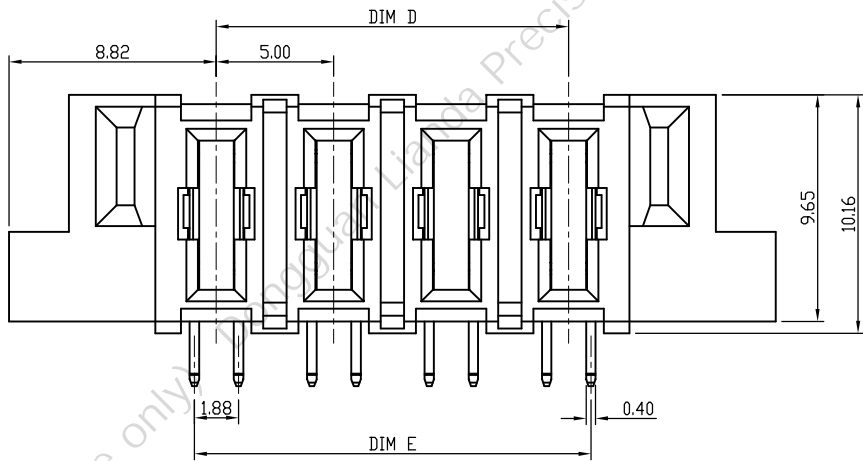
- 1.HOUSING:THERMO-PLASTIC. UL 94V-0 NATURE
- 2.CONTACT:PHOSPHOR BRONZE  
CONTACT:SEE ORDER INFORMATION;  
SOLDER:10 $\mu$ " GOLD IN CONTACT AREA, MATTE TIN ON TAIL
- 3.LOCKING CLIP:  
MATTE TIN CONTACT AND TAIL

ELECTRICAL:

- 1.CURRENT RATING:23A-58.7 PER POWER BLADE
- 2.WITHSTANDING VOLTAGE:250V AC for 1 min
- 3.CONTACT RESISTANCE:30m $\Omega$  MAX
- 4.INSULATION RESISTANCE:1000M $\Omega$  MIN

ENVIRONMENTAL:

- 1. OPERATING TEMPERATURE:-55? TO +125?.



SECTION B-B

## 弯脚大电流母座 LPS05



REV	REVISION DESCRIPTION	SIGNATURE	DATE
A0	NEW EDITION	East_Zhou	2022.03.03

一般公差	
GENERAL TOLERANCE	
XX	$\pm 0.30$
XX	$\pm 0.13$
XXX	$\pm 0.05$
ANGLES	$\pm 2^\circ$
版本 A	
(REV)	



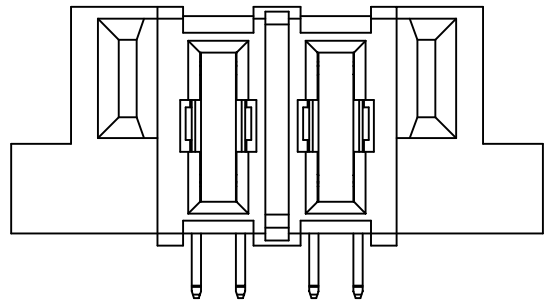


FIG 1  
LPS05x-x02-BSR

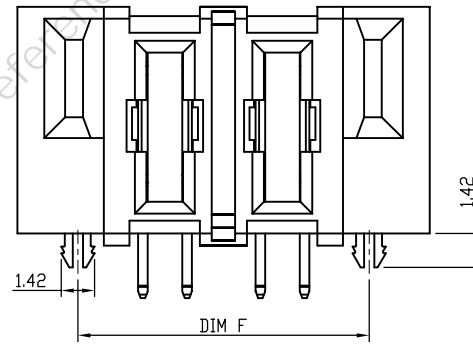
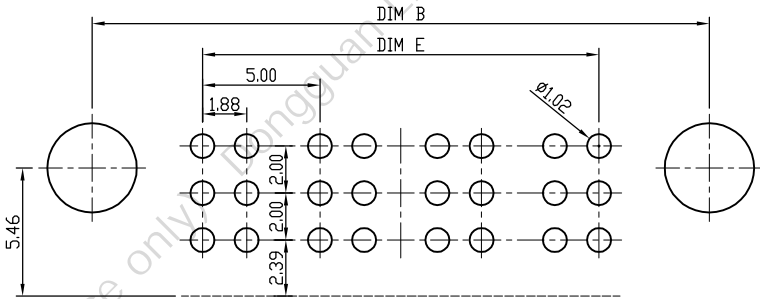
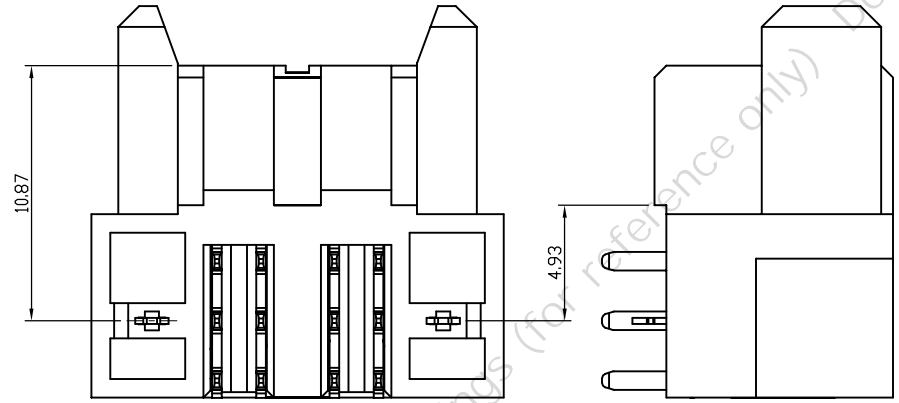
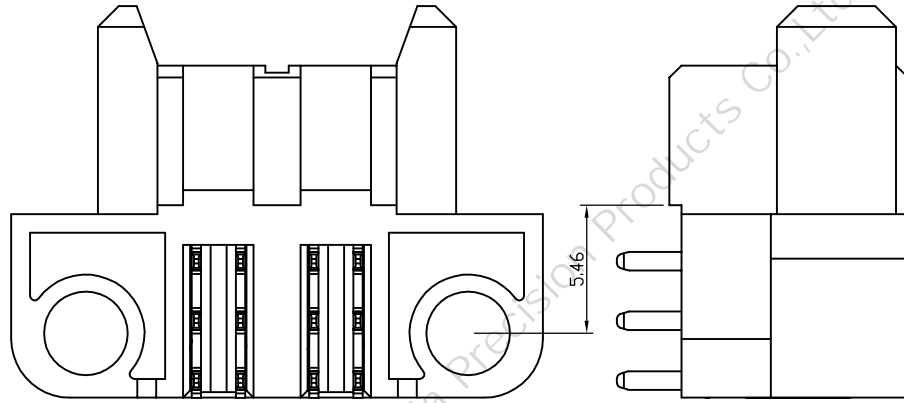
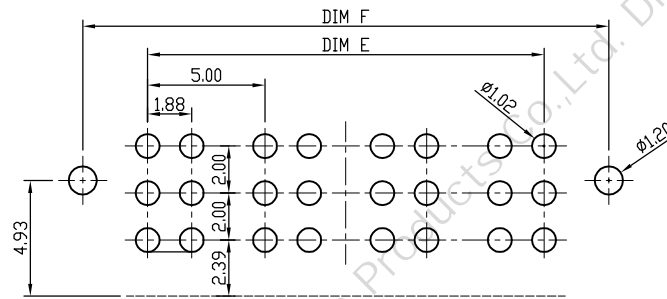


FIG 2  
LPS05x-x02-BLR



Recommended PC board pattern  
(TOP VIEW)  
LPS05x-xxx-BSR



Recommended PC board pattern  
(TOP VIEW)  
LPS05x-xxx-BLR

PIN	DIM B	DIM C	DIM D	DIM E	DIM F
2	22.63	16.28	5.00	6.88	12.40
4	32.63	26.28	15.00	16.88	22.40
6	42.63	36.28	25.00	26.88	32.40
8	52.63	46.28	35.00	36.88	42.40

## 弯脚大电流母座 LPS05



REV	DESCRIPTION	SIGNATURE	DATE
A0	NEW EDITION	East_Zhou	2022.03.03
SER	修改摘要	签名	日期
	REVISION DESCRIPTION	SIGNATURE	DATE

一般公差	
GENERAL TOLERANCE	
XX	$\pm 0.30$
XX	$\pm 0.15$
XX	$\pm 0.05$
ANGLES	$\pm 2^\circ$
版本 A	
(REV)	