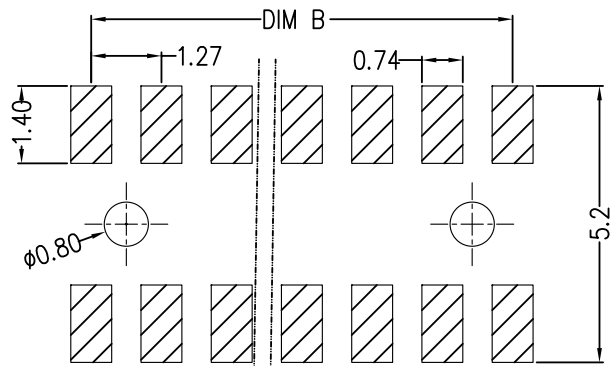
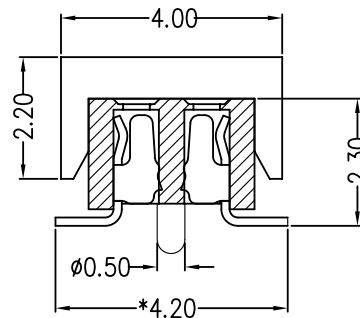
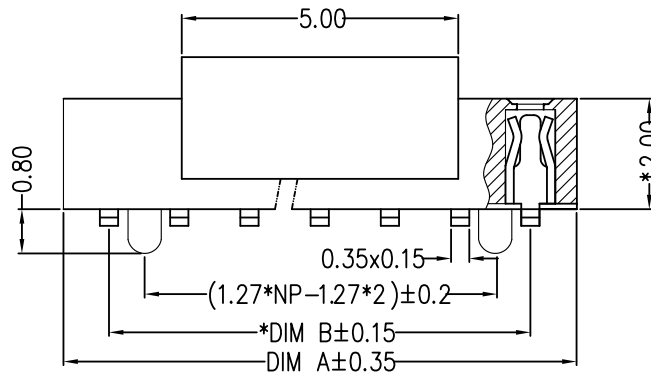
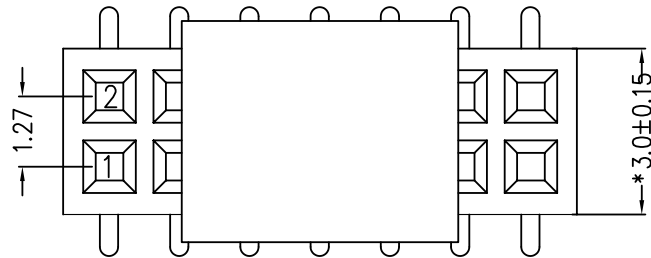


REV	ECN NO	DESCRIPTION	DATE	NAME
A		NEW	04/12-'22	LZR



PCB LAYOUT

TOLERANCE UNLESS OTHERWISE SPECIFIED	
LINER	ANGLES
.0 ±0.30	0.° ±3°
.00 ±0.20	.0° ±2°
.000 ±0.10	.00° ±1°

Specifications

- 规范**
- Current Rating: 1.0Amps
额定电流:1.0安培
 - rated voltage: 125V AC/DC
额定电压:125V AC/DC
 - Insulation Resistance: 1000 MΩ Min
绝缘电阻:最小1000 MΩ
 - Dielectric withstanding Voltage: 500V AC
耐电压:500V AC
 - Contact Resistance: 20 mΩ Max
接触电阻:最大20 mΩ
 - Operating Temperature: -40°C to+105°C
工作温度:-40°C ~ +105°C
 - Contact Material: Phosphor Bronze
接触材质:磷铜
 - Plating: Au G/F
电镀:金 G/F
 - Insulation Material: PA6T,UL94V-0,Black
绝缘材料:PA6T,UL94V-0,黑色
 - Marked "*" symbol are major dimensions
标有"*"符号为主要尺寸
 - Packing: 2000PCS/Reel;
包装: 2000PCS/卷;

Ordering Information

LFH 127 X XX X XXXX

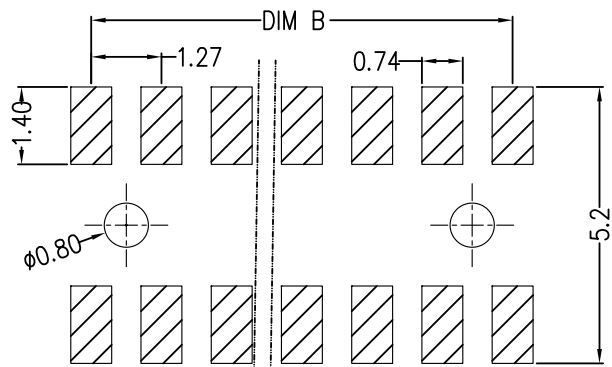
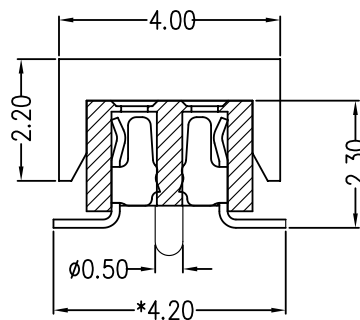
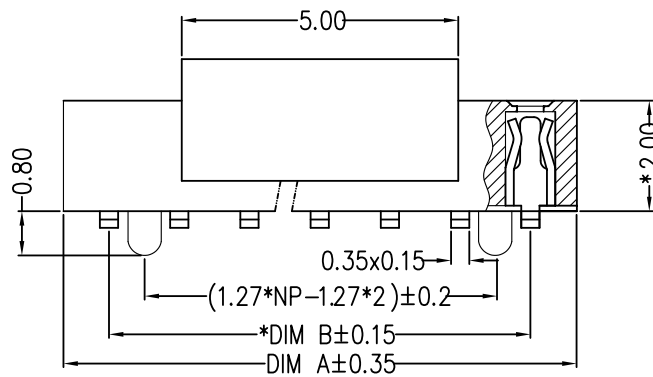
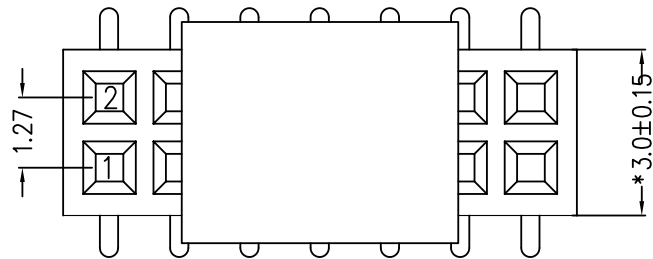
Code	Pitch	Rows	PIN Number	Packing	Serial No
FH:FEMALE HEADER 排母	100:1.0	1:1Row单排	PIN数	A:PE Bag 袋装	0001~9999
	127:1.27	2:2Row双排	1~99	B:Tube 管装	
	200: 2.0	3:3Row三排	(Per Row每排)	C:Troy 盘装	
	250:2.5	4:4Row四排		D:Reel 卷装	
	254: 2.54			E:Bag and Box 袋加盒	
				F:Other其他	

PIN	DIM A	DIM B
2x1P	1.67	
2x2P	2.94	1.27
2x3P	4.21	2.54
2x4P	5.48	3.81
2x5P	6.75	5.08
2x6P	8.02	6.35
2x7P	9.29	7.62
2x8P	10.56	8.89
2x9P	11.83	10.16
2x10P	13.10	11.43
2x11P	14.37	12.70
2x12P	15.64	13.97
2x13P	16.91	15.24
2x14P	18.18	16.51
2x15P	19.45	17.78
2x16P	20.72	19.05
2x17P	21.99	20.32
2x18P	23.26	21.59
2x19P	24.53	22.86
2x20P	25.80	24.13
2x21P	27.07	25.4
2x22P	28.34	26.67
2x23P	29.61	27.94
2x24P	30.88	29.21
2x25P	32.15	30.48
2x26P	33.42	31.75
2x27P	34.69	33.02
2x28P	35.96	34.29
2x29P	37.23	35.56
2x30P	38.50	36.83
2x31P	39.77	38.10
2x32P	41.04	39.37
2x33P	42.31	40.64
2x34P	43.58	41.91
2x35P	44.85	43.18
2x36P	46.12	44.45
2x37P	47.39	45.72
2x38P	48.66	46.99
2x39P	49.93	48.26
2x40P	51.20	49.53

LDCONN 东莞连大精密制品有限公司
DongGuan LianDa Precision Products Co., LTD

TITLE	PH1.27X2.0 2X3P SMT 双排排母U型,带吸取帽,带柱	DRAWN BY	LZR	04/12-'22
PART NO	LFH127203D0001	CHECKED BY	工程 7-11-22 朱磊	
DRAWING NO		APPROVED BY	工程 7-11-22 周晓	
SCALE	1:1	UNITE	mm	PAGE 1/1 SIZE A4

REV	ECN NO	DESCRIPTION	DATE	NAME
A		NEW	04/12-'22	LZR



PCB LAYOUT

TOLERANCE UNLESS OTHERWISE SPECIFIED	
LINER	ANGLES
.0 ±0.30	0.° ±3°
.00 ±0.20	.0° ±2°
.000 ±0.10	.00° ±1°

Specifications

规范

- Current Rating: 1.0Amps
额定电流:1.0安培
- rated voltage: 125V AC/DC
额定电压:125V AC/DC
- Insulation Resistance: 1000 MΩ Min
绝缘电阻:最小1000 MΩ
- Dielectric withstanding Voltage: 500V AC
耐电压:500V AC
- Contact Resistance: 20 mΩ Max
接触电阻:最大20 mΩ
- Operating Temperature: -40°C to +105°C
工作温度:-40°C ~ +105°C
- Contact Material: Phosphor Bronze
接触材质:磷铜
- Plating: Au G/F
电镀:金 G/F
- Insulation Material: PA6T,UL94V-0,Black
绝缘材料: PA6T,UL94V-0,黑色
- Marked "*" symbol are major dimensions
标有"*"符号为主要尺寸
- Packing: 1200PCS/Reel;
包装: 1200PCS/卷;

Ordering Information

LFH 127 X XX X XXXX

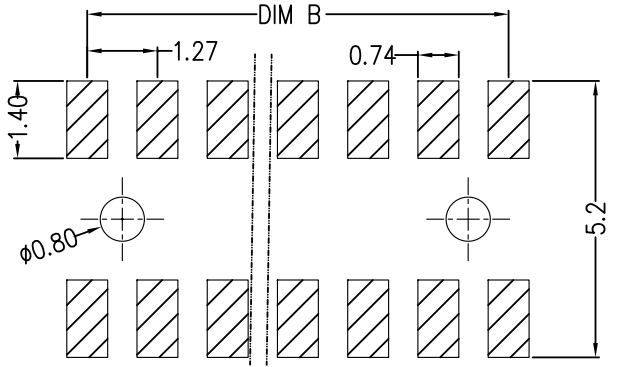
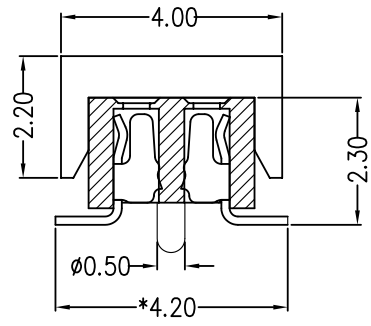
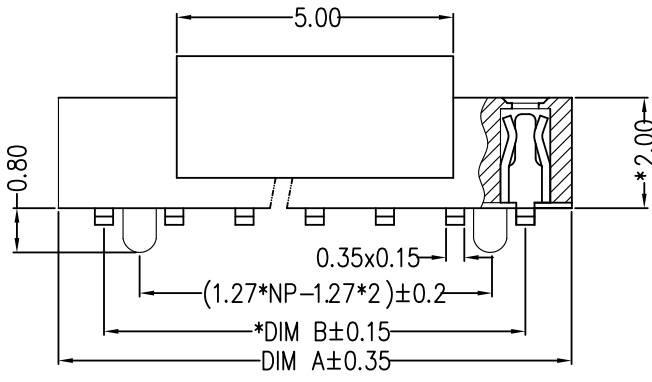
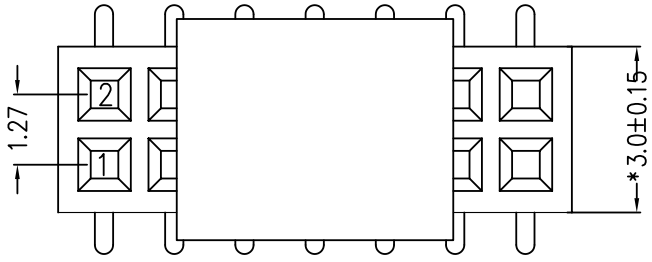
Code	Pitch	Rows	PIN Number	Packing	Serial No
FH:FEMALE HEADER 排母	100:1.0 127:1.27 200: 2.0 250:2.5 254: 2.54	1:1Row单排 2:2Row双排 3:3Row三排 4:4Row四排	PIN数 1~99 (Per Row每排)	A:PE Bag 袋装 B:Tube 管装 C:Tray 盘装 D:Reel 卷装 E:Bag and Box 袋加盒 F:Other其他	0001~9999

PIN	DIM A	DIM B
2x1P	1.67	
2x2P	2.94	1.27
2x3P	4.21	2.54
2x4P	5.48	3.81
2x5P	6.75	5.08
2x6P	8.02	6.35
2x7P	9.29	7.62
2x8P	10.56	8.89
2x9P	11.83	10.16
2x10P	13.10	11.43
2x11P	14.37	12.70
2x12P	15.64	13.97
2x13P	16.91	15.24
2x14P	18.18	16.51
2x15P	19.45	17.78
2x16P	20.72	19.05
2x17P	21.99	20.32
2x18P	23.26	21.59
2x19P	24.53	22.86
2x20P	25.80	24.13
2x21P	27.07	25.4
2x22P	28.34	26.67
2x23P	29.61	27.94
2x24P	30.88	29.21
2x25P	32.15	30.48
2x26P	33.42	31.75
2x27P	34.69	33.02
2x28P	35.96	34.29
2x29P	37.23	35.56
2x30P	38.50	36.83
2x31P	39.77	38.10
2x32P	41.04	39.37
2x33P	42.31	40.64
2x34P	43.58	41.91
2x35P	44.85	43.18
2x36P	46.12	44.45
2x37P	47.39	45.72
2x38P	48.66	46.99
2x39P	49.93	48.26
2x40P	51.20	49.53

LDCONN 东莞连大精密制品有限公司
DongGuan LianDa Precision Products Co., LTD

TITLE	PH1.27X2.0 2X4P SMT 双排排母U型,带吸取帽,带柱	DRAWN BY	LZR	04/12-'22
PART NO	LFH127204D0001	CHECKED BY	工程 7-11-22 朱磊	
DRAWING NO		APPROVED BY	工程 7-11-22 周晓	
SCALE	1:1	UNITE	mm	PAGE 1/1
				SIZE A4

REV	ECN NO	DESCRIPTION	DATE	NAME
A		NEW	04/12-'22	LZR



PCB LAYOUT

TOLERANCE UNLESS OTHERWISE SPECIFIED	
LINER	ANGLES
.0 ±0.30	0.° ±3°
.00 ±0.20	.0° ±2°
.000 ±0.10	.00° ±1°

Specifications

- 规范
- Current Rating: 1.0Amps
额定电流:1.0安培
 - rated voltage: 125V AC/DC
额定电压:125V AC/DC
 - Insulation Resistance: 1000 MΩ Min
绝缘电阻:最小1000 MΩ
 - Dielectric withstanding Voltage: 500V AC
耐电压:500V AC
 - Contact Resistance: 20 mΩ Max
接触电阻:最大20 mΩ
 - Operating Temperature: -40°C to+105°C
工作温度:-40°C ~ +105°C
 - Contact Material: Phosphor Bronze
接触材质:磷铜
 - Plating: Au G/F"
电镀:金 G/F"
 - Insulation Material: LCP,UL94V-0,Black
绝缘材料: LCP,UL94V-0,黑色
 - Marked "*" symbol are major dimensions
标有"*"符号为主要尺寸
 - Packing: 2000PCS/Reel;
包装: 2000PCS/卷;

Ordering Information

LFH 127 X XX X XXXX

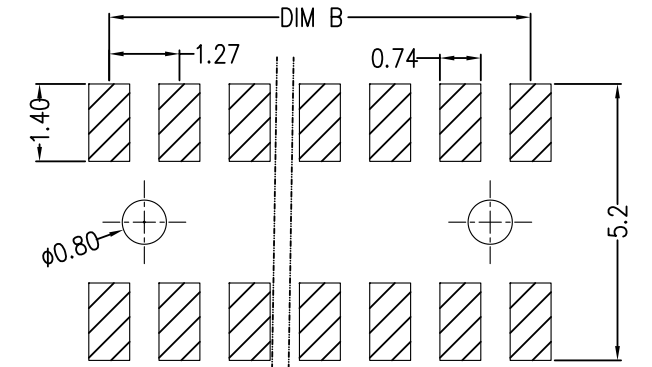
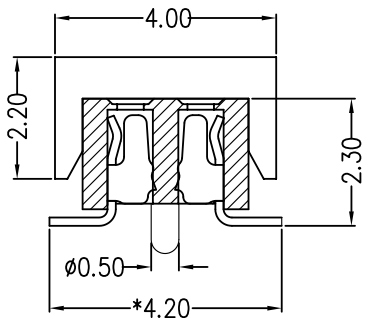
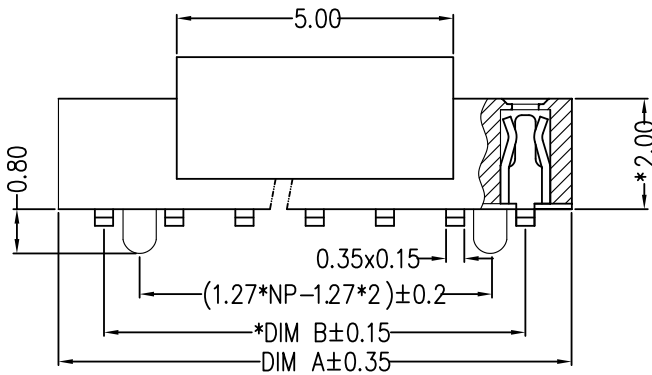
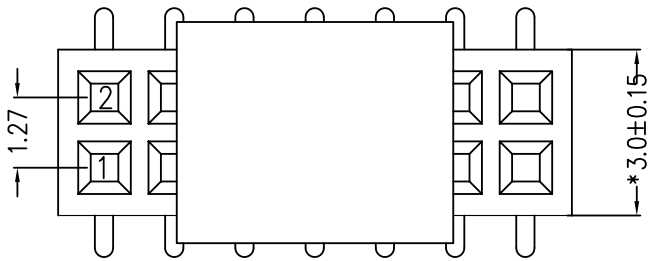
Code	Pitch	Rows	PIN Number	Packing	Serial No
FH: FEMALE HEADER 排母	100: 1.0 127: 1.27 200: 2.0 250: 2.5 254: 2.54	1: 1Row单排 2: 2Row双排 3: 3Row三排 (Per Row每排) 4: 4Row四排	PIN数 1~99	A: PE Bag 袋装 B: Tube 管装 C: Tray 盘装 D: Reel 卷装 E: Bag and Box 袋加盒 F: Other 其他	0001~9999

PIN	DIM A	DIM B
2x1P	1.67	
2x2P	2.94	1.27
2x3P	4.21	2.54
2x4P	5.48	3.81
2x5P	6.75	5.08
2x6P	8.02	6.35
2x7P	9.29	7.62
2x8P	10.56	8.89
2x9P	11.83	10.16
2x10P	13.10	11.43
2x11P	14.37	12.70
2x12P	15.64	13.97
2x13P	16.91	15.24
2x14P	18.18	16.51
2x15P	19.45	17.78
2x16P	20.72	19.05
2x17P	21.99	20.32
2x18P	23.26	21.59
2x19P	24.53	22.86
2x20P	25.80	24.13
2x21P	27.07	25.4
2x22P	28.34	26.67
2x23P	29.61	27.94
2x24P	30.88	29.21
2x25P	32.15	30.48
2x26P	33.42	31.75
2x27P	34.69	33.02
2x28P	35.96	34.29
2x29P	37.23	35.56
2x30P	38.50	36.83
2x31P	39.77	38.10
2x32P	41.04	39.37
2x33P	42.31	40.64
2x34P	43.58	41.91
2x35P	44.85	43.18
2x36P	46.12	44.45
2x37P	47.39	45.72
2x38P	48.66	46.99
2x39P	49.93	48.26
2x40P	51.20	49.53

LDCONN 东莞连大精密制品有限公司
DongGuan LianDa Precision Products Co., LTD

TITLE	PH1.27X2.0 2X7P SMT 双排排母U型,带吸取帽,带柱	DRAWN BY	LZR	04/12-'22
PART NO	LFH127207D0001	CHECKED BY	工程 7-11-22 朱磊	
DRAWING NO		APPROVED BY	工程 7-11-22 周晓	
SCALE	1:1	UNITE	mm	PAGE 1/1 SIZE A4

REV	ECN NO	DESCRIPTION	DATE	NAME
A		NEW	04/12-'22	LZR



PCB LAYOUT

TOLERANCE UNLESS OTHERWISE SPECIFIED	
LINER	ANGLES
.0 ±0.30	0.° ±3°
.00 ±0.20	.0° ±2°
.000 ±0.10	.00° ±1°

Specifications

- 规范**
- Current Rating: 1.0Amps
额定电流:1.0安培
 - rated voltage: 125V AC/DC
额定电压:125V AC/DC
 - Insulation Resistance: 1000 MΩ Min
绝缘电阻:最小1000 MΩ
 - Dielectric withstanding Voltage: 500V AC
耐电压:500V AC
 - Contact Resistance: 20 mΩ Max
接触电阻:最大20 mΩ
 - Operating Temperature: -40°C to +105°C
工作温度:-40°C ~ +105°C
 - Contact Material: Phosphor Bronze
接触材质:磷铜
 - Plating: Au G/F"
电镀:金 G/F"
 - Insulation Material: PA6T,UL94V-0,Black
绝缘材料: PA6T,UL94V-0,黑色
 - Marked "*" symbol are major dimensions
标有"*"符号为主要尺寸
 - Packing: 1500PCS/Reel;
包装: 1500PCS/卷;

Ordering Information

LFH 127 X XX X XXXX

Code	Pitch	Rows	PIN Number	Packing	Serial No
FH:FEMALE HEADER 排母	100:1.0 127:1.27 200:2.0 250:2.5 254:2.54	1:1Row单排 2:2Row双排 3:3Row三排 4:4Row四排	PIN数 1~99 (Per Row每排)	A:PE Bag 袋装 B:Tube 管装 C:Tray 盘装 D:Reel 卷装 E:Bag and Box 袋加盒 F:Other其他	0001~9999

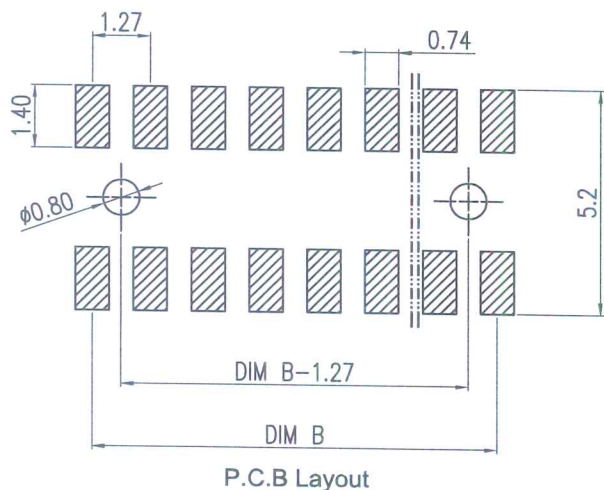
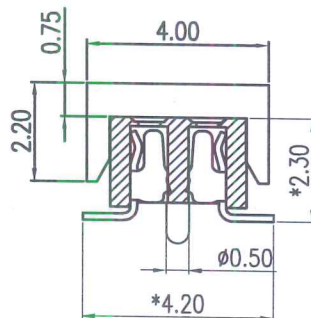
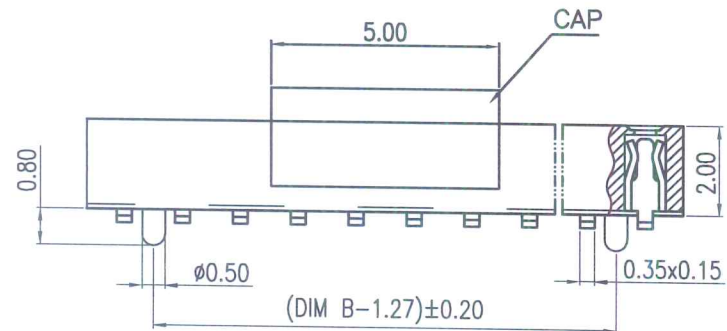
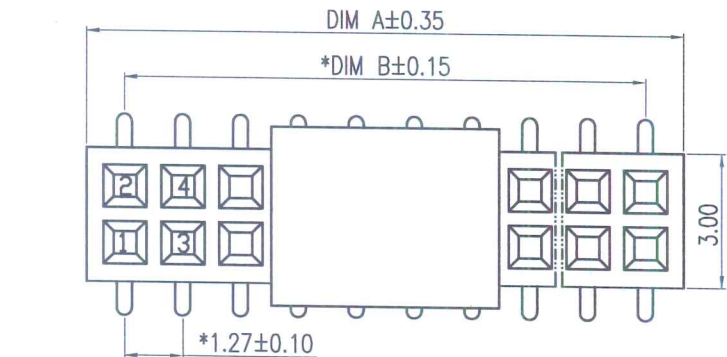
PIN	DIM A	DIM B
2x1P	1.67	
2x2P	2.94	1.27
2x3P	4.21	2.54
2x4P	5.48	3.81
2x5P	6.75	5.08
2x6P	8.02	6.35
2x7P	9.29	7.62
2x8P	10.56	8.89
2x9P	11.83	10.16
2x10P	13.10	11.43
2x11P	14.37	12.70
2x12P	15.64	13.97
2x13P	16.91	15.24
2x14P	18.18	16.51
2x15P	19.45	17.78
2x16P	20.72	19.05
2x17P	21.99	20.32
2x18P	23.26	21.59
2x19P	24.53	22.86
2x20P	25.80	24.13
2x21P	27.07	25.4
2x22P	28.34	26.67
2x23P	29.61	27.94
2x24P	30.88	29.21
2x25P	32.15	30.48
2x26P	33.42	31.75
2x27P	34.69	33.02
2x28P	35.96	34.29
2x29P	37.23	35.56
2x30P	38.50	36.83
2x31P	39.77	38.10
2x32P	41.04	39.37
2x33P	42.31	40.64
2x34P	43.58	41.91
2x35P	44.85	43.18
2x36P	46.12	44.45
2x37P	47.39	45.72
2x38P	48.66	46.99
2x39P	49.93	48.26
2x40P	51.20	49.53

LDCONN 东莞连大精密制品有限公司
DongGuan LianDa Precision Products Co., LTD

TITLE	PH1.27X2.0 2X7P SMT 双排排母U型,带吸取帽,带柱	DRAWN BY	LZR	04/12-'22
PART NO	LFH127207D0004	CHECKED BY	工程 7-11-22 朱磊	
DRAWING NO		APPROVED BY	工程 7-11-22 周晓	
SCALE	1:1	UNITE	mm	PAGE 1/1
				SIZE A4

HSF RoHS

REV	ECN NO	DESCRIPTION	DATE	NAME
A		NEW	11/10-'20	KJL
B		旧料号LFH127-3220S5302D	08/16-'22	LJS

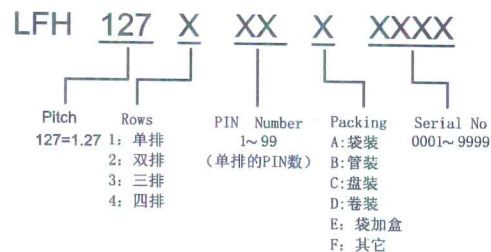


Specifications

- 规范
- Current Rating: 1.0Amps
额定电流:1.0安培
 - rated voltage: 125V AC/DC
额定电压:125V AC/DC
 - Insulation Resistance: 1000 MΩ Min
绝缘电阻:最小1000 MΩ
 - Dielectric withstanding Voltage: 500V AC
耐电压:500V AC
 - Contact Resistance: 20 mΩ Max
接触电阻:最大20 mΩ
 - Operating Temperature: -40°C to+105°C
工作温度:-40°C ~ +105°C
 - Contact Material: Phosphor Bronze
接触材质:磷铜
 - Plating: Au 5u"
电镀:金 5u"
 - Insulation Material: PA6T,UL94V-0,Black
绝缘材料:PA6T,UL94V-0,黑色
 - Marked "*" symbol are major dimensions
标有"*"符号为主要尺寸
 - Packing: 2000PCS/Reel
包装: 2000PCS/卷

PIN	DIM A	DIM B
2x1P	1.67	
2x2P	2.94	1.27
2x3P	4.21	2.54
2x4P	5.48	3.81
2x5P	6.75	5.08
2x6P	8.02	6.35
2x7P	9.29	7.62
2x8P	10.56	8.89
2x9P	11.83	10.16
2x10P	13.10	11.43
2x11P	14.37	12.70
2x12P	15.64	13.97
2x13P	16.91	15.24
2x14P	18.18	16.51
2x15P	19.45	17.78
2x16P	20.72	19.05
2x17P	21.99	20.32
2x18P	23.26	21.59
2x19P	24.53	22.86
2x20P	25.80	24.13
2x21P	27.07	25.40
2x22P	28.34	26.67
2x23P	29.61	27.94
2x24P	30.88	29.21
2x25P	32.15	30.48
2x26P	33.42	31.75
2x27P	34.69	33.02
2x28P	35.96	34.29
2x29P	37.23	35.56
2x30P	38.50	36.83
2x31P	39.77	38.10
2x32P	41.04	39.37
2x33P	42.31	40.64
2x34P	43.58	41.91
2x35P	44.85	43.18
2x36P	46.12	44.45
2x37P	47.39	45.72
2x38P	48.66	46.99
2x39P	49.93	48.26
2x40P	51.20	49.53

Ordering Information



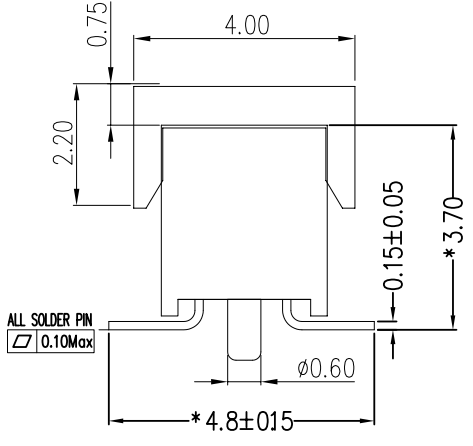
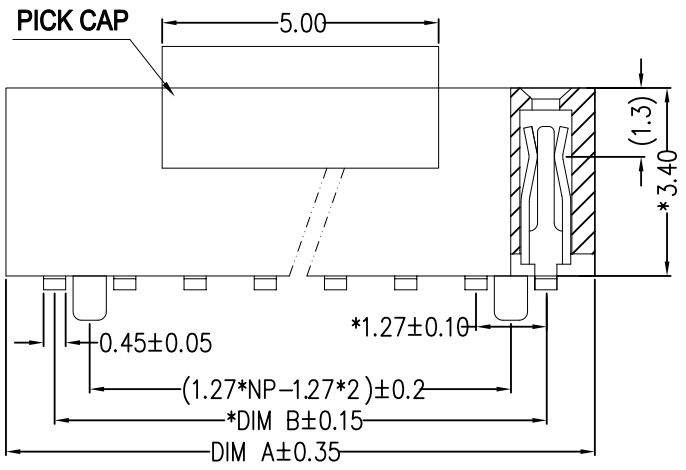
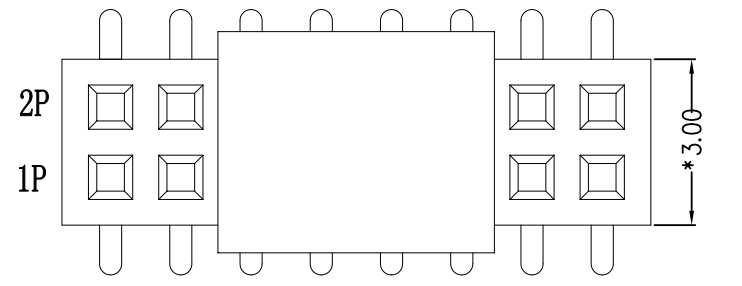
LDCONN 东莞连大精密制品有限公司
DongGuan LianDa Precision Products Co., LTD

TOLERANCE UNLESS OTHERWISE SPECIFIED	
LINER	ANGLES
.0 ±0.30	0.° ±3°
.00 ±0.20	.0° ±2°
.000 ±0.10	.00° ±1°

TITLE	PH1.27X2.0 2X32P SMT U型 排母, 带帽带柱(镀金5u")	DRAWN BY	KJL	11/10-'20
PART NO.	LFH127232D0001	CHECKED BY	ZL	8/16-'22
DRAWING NO.		APPROVED BY	ZX	8/16-'22
SCALE	1:1	UNIT	mm	PAGE 1/1
				SIZE A4

HSF RoHS

REV	ECN NO	DESCRIPTION	DATE	NAME
A		NEW	04/12-'22	LZR



Specifications

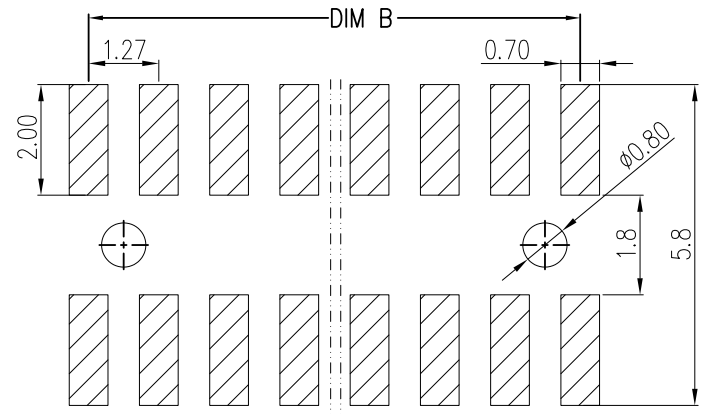
- 规范**
- Current Rating: 1.0Amps
额定电流:1.0安培
 - rated voltage: 125V AC/DC
额定电压:125V AC/DC
 - Insulation Resistance: 1000 MΩ Min
绝缘电阻:最小1000 MΩ
 - Dielectric withstanding Voltage: 500V AC
耐电压:500V AC
 - Contact Resistance: 20 mΩ Max
接触电阻:最大20 mΩ
 - Operating Temperature: -40°C to +105°C
工作温度:-40°C ~ +105°C
 - Contact Material: Phosphor Bronze
接触材质:磷铜
 - Plating: Au G/F"
电镀:金 G/F"
 - Insulation Material: PA6T,UL94V-0,Black
绝缘材料:PA6T,UL94V-0,黑色
 - Marked "*" symbol are major dimensions
标有"*"符号为主要尺寸
 - Packing: 1000PCS/Reel;
包装: 1000PCS/卷;

Ordering Information

LFH 127 X XX X XXXX

Code	Pitch	Rows	PIN Number	Packing	Serial No
FH:FEMALE HEADER 排母	100: 1.0 127: 1.27 200: 2.0 250: 2.5 254: 2.54	1:1Row单排 2:2Row双排 3:3Row三排 (Per Row每排) 4:4Row四排	PIN数 1~99	A:PE Bag 袋装 B:Tube 管装 C:Tray 盘装 D:Reel 卷装 E:Bag and Box 袋加盒 F:Other其他	0001~9999

PIN	DIM A	DIM B
2x1P	1.77	
2x2P	3.04	1.27
2x3P	4.31	2.54
2x4P	5.58	3.81
2x5P	6.85	5.08
2x6P	8.12	6.35
2x7P	9.39	7.62
2x8P	10.66	8.89
2x9P	11.93	10.16
2x10P	13.20	11.43
2x11P	14.47	12.70
2x12P	15.74	13.97
2x13P	17.01	15.24
2x14P	18.28	16.51
2x15P	19.55	17.78
2x16P	20.82	19.05
2x17P	22.09	20.32
2x18P	23.36	21.59
2x19P	24.63	22.86
2x20P	25.90	24.13
2x21P	27.17	25.4
2x22P	28.44	26.67
2x23P	29.71	27.94
2x24P	30.98	29.21
2x25P	32.25	30.48
2x26P	33.52	31.75
2x27P	34.79	33.02
2x28P	36.06	34.29
2x29P	37.33	35.56
2x30P	38.60	36.83
2x31P	39.87	38.10
2x32P	41.14	39.37
2x33P	42.41	40.64
2x34P	43.68	41.91
2x35P	44.95	43.18
2x36P	46.22	44.45
2x37P	47.49	45.72
2x38P	48.76	46.99
2x39P	50.03	48.26
2x40P	51.30	49.53



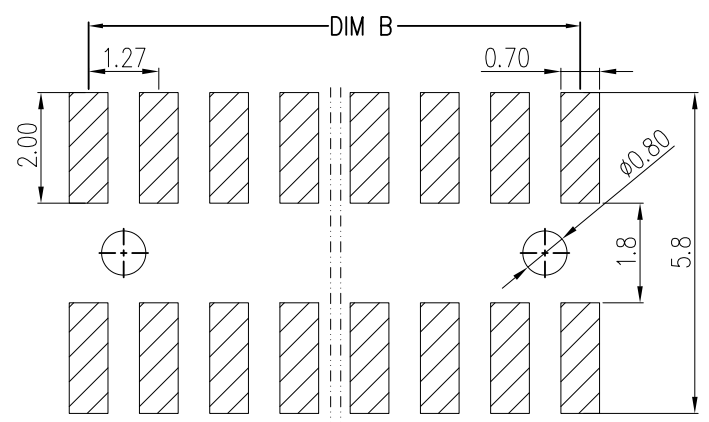
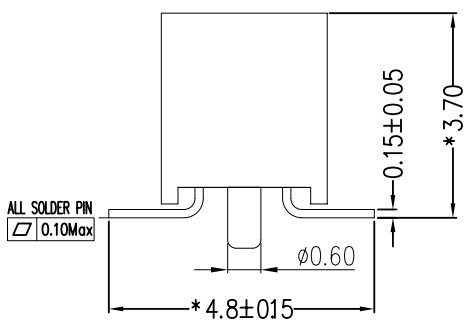
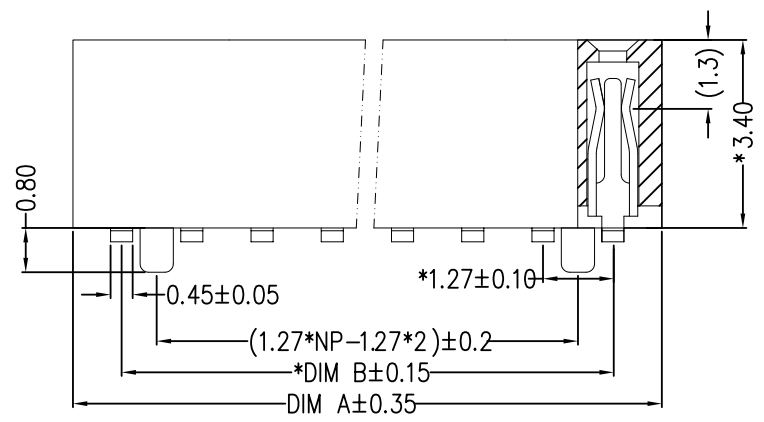
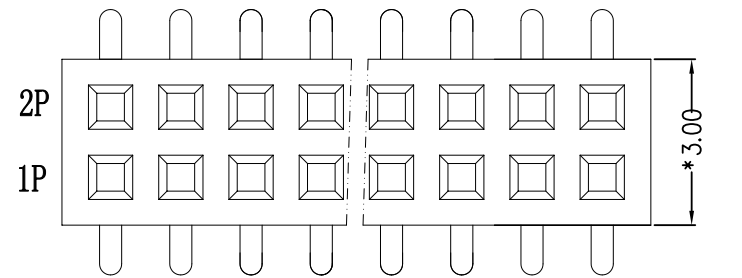
PCB LAYOUT

TOLERANCE UNLESS OTHERWISE SPECIFIED	
LINER	ANGLES
.0 ±0.30	0.° ±3°
.00 ±0.20	.0° ±2°
.000 ±0.10	.00° ±1°

LDCONN 东莞连大精密制品有限公司
DongGuan LianDa Precision Products Co., LTD

TITLE	PH1.27X3.4 2X2P SMT 双排排母U型,带吸取帽,带柱	DRAWN BY	LZR	04/12-'22
PART NO	LFH127202D0001	CHECKED BY	工程 7-11-22 朱磊	
DRAWING NO		APPROVED BY	工程 7-11-22 周晓	
SCALE	1:1	UNITE	mm	PAGE 1/1
				SIZE A4

HSF RoHS



PCB LAYOUT

TOLERANCE UNLESS OTHERWISE SPECIFIED	
LINER	ANGLES
.0 ±0.30	0.° ±3°
.00 ±0.20	.0° ±2°
.000 ±0.10	.00° ±1°

REV	ECN NO	DESCRIPTION	DATE	NAME
A		NEW	04/12-'22	LZR

Specifications

- 规范**
- Current Rating: 1.0Amps
额定电流:1.0安培
 - rated voltage: 125V AC/DC
额定电压:125V AC/DC
 - Insulation Resistance: 1000 MΩ Min
绝缘电阻:最小1000 MΩ
 - Dielectric withstanding Voltage: 500V AC
耐电压:500V AC
 - Contact Resistance: 20 mΩ Max
接触电阻:最大20 mΩ
 - Operating Temperature: -40°C to +105°C
工作温度:-40°C ~ +105°C
 - Contact Material: Phosphor Bronze
接触材质:磷铜
 - Plating: Au G/F"
电镀:金 G/F"
 - Insulation Material: PA6T,UL94V-0,Black
绝缘材料:PA6T,UL94V-0,黑色
 - Marked "*" symbol are major dimensions
标有"*"符号为主要尺寸
 - Packing: 1000PCS/Bag+Box;
包装: 1000PCS/袋+盒;

PIN	DIM A	DIM B
2x1P	1.77	
2x2P	3.04	1.27
2x3P	4.31	2.54
2x4P	5.58	3.81
2x5P	6.85	5.08
2x6P	8.12	6.35
2x7P	9.39	7.62
2x8P	10.66	8.89
2x9P	11.93	10.16
2x10P	13.20	11.43
2x11P	14.47	12.70
2x12P	15.74	13.97
2x13P	17.01	15.24
2x14P	18.28	16.51
2x15P	19.55	17.78
2x16P	20.82	19.05
2x17P	22.09	20.32
2x18P	23.36	21.59
2x19P	24.63	22.86
2x20P	25.90	24.13
2x21P	27.17	25.4
2x22P	28.44	26.67
2x23P	29.71	27.94
2x24P	30.98	29.21
2x25P	32.25	30.48
2x26P	33.52	31.75
2x27P	34.79	33.02
2x28P	36.06	34.29
2x29P	37.33	35.56
2x30P	38.60	36.83
2x31P	39.87	38.10
2x32P	41.14	39.37
2x33P	42.41	40.64
2x34P	43.68	41.91
2x35P	44.95	43.18
2x36P	46.22	44.45
2x37P	47.49	45.72
2x38P	48.76	46.99
2x39P	50.03	48.26
2x40P	51.30	49.53

Ordering Information

LFH 127 X XX X XXXX

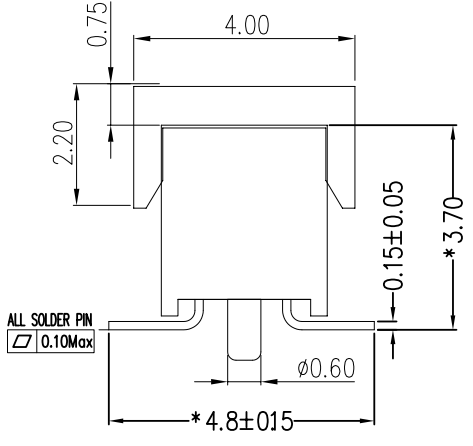
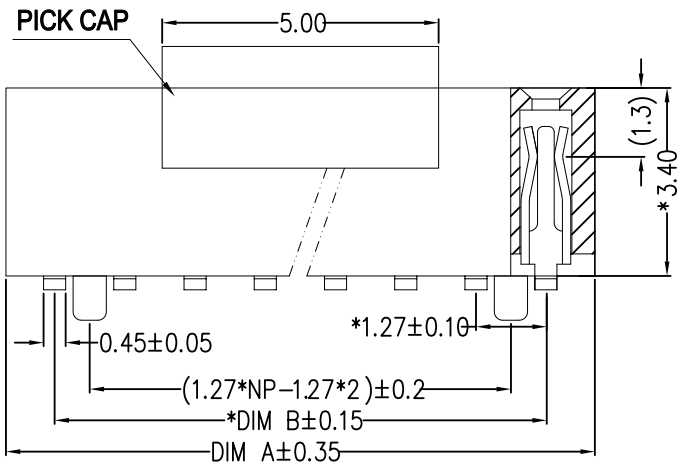
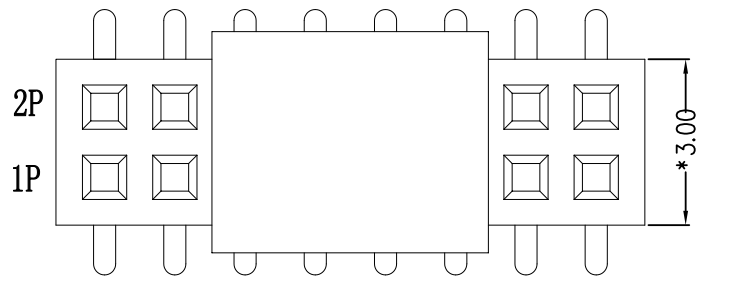
Code	Pitch	Rows	PIN Number	Packing	Serial No
FH:FEMALE HEADER 排母	100:1.0 127:1.27 200:2.0 250:2.5 254:2.54	1:1Row单排 2:2Row双排 3:3Row三排 4:4Row四排	PIN数 1~99 (Per Row每排)	A:PE Bag 袋装 B:Tube 管装 C:Tray 盘装 D:Reel 卷装 E:Bag and Box 袋加盒 F:Other其他	0001~9999

LDCONN 东莞连大精密制品有限公司
DongGuan LianDa Precision Products Co., LTD

TITLE	PH1.27X3.4 2X4P SMT 双排排母U型,带柱	DRAWN BY	LZR	04/12-'22
PART NO	LFH127204E0001	CHECKED BY	工程 7-11-22 朱磊	
DRAWING NO		APPROVED BY	工程 7-11-22 周晓	
SCALE	1:1	UNITE	mm	PAGE 1/1 SIZE A4

HSF RoHS

REV	ECN NO	DESCRIPTION	DATE	NAME
A		NEW	04/12-'22	LZR



Specifications

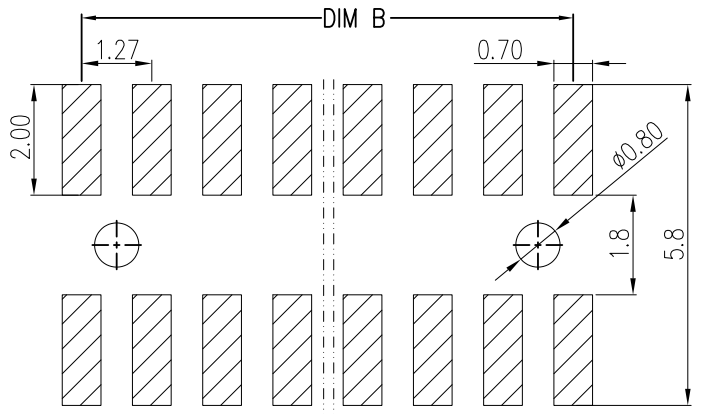
- 规范**
- Current Rating: 1.0Amps
额定电流:1.0安培
 - rated voltage: 125V AC/DC
额定电压:125V AC/DC
 - Insulation Resistance: 1000 MΩ Min
绝缘电阻:最小1000 MΩ
 - Dielectric withstanding Voltage: 500V AC
耐电压:500V AC
 - Contact Resistance: 20 mΩ Max
接触电阻:最大20 mΩ
 - Operating Temperature: -40°C to +105°C
工作温度:-40°C ~ +105°C
 - Contact Material: Phosphor Bronze
接触材质:磷铜
 - Plating: Au G/F"
电镀:金 G/F"
 - Insulation Material: PA6T,UL94V-0,Black
绝缘材料:PA6T,UL94V-0,黑色
 - Marked "*" symbol are major dimensions
标有"*"符号为主要尺寸
 - Packing: 1000PCS/Reel;
包装: 1000PCS/卷;

Ordering Information

LFH 127 X XX X XXXX

Code	Pitch	Rows	PIN Number	Packing	Serial No
FH:FEMALE HEADER 排母	100:1.0 127:1.27 200:2.0 250:2.5 254:2.54	1:1Row单排 2:2Row双排 3:3Row三排 4:4Row四排	Pin数 1~99 (Per Row每排)	A:PE Bag 袋装 B:Tube 管装 C:Tray 盘装 D:Reel 卷装 E:Bag and Box 袋加盒 F:Other其他	0001~9999

PIN	DIM A	DIM B
2x1P	1.77	
2x2P	3.04	1.27
2x3P	4.31	2.54
2x4P	5.58	3.81
2x5P	6.85	5.08
2x6P	8.12	6.35
2x7P	9.39	7.62
2x8P	10.66	8.89
2x9P	11.93	10.16
2x10P	13.20	11.43
2x11P	14.47	12.70
2x12P	15.74	13.97
2x13P	17.01	15.24
2x14P	18.28	16.51
2x15P	19.55	17.78
2x16P	20.82	19.05
2x17P	22.09	20.32
2x18P	23.36	21.59
2x19P	24.63	22.86
2x20P	25.90	24.13
2x21P	27.17	25.4
2x22P	28.44	26.67
2x23P	29.71	27.94
2x24P	30.98	29.21
2x25P	32.25	30.48
2x26P	33.52	31.75
2x27P	34.79	33.02
2x28P	36.06	34.29
2x29P	37.33	35.56
2x30P	38.60	36.83
2x31P	39.87	38.10
2x32P	41.14	39.37
2x33P	42.41	40.64
2x34P	43.68	41.91
2x35P	44.95	43.18
2x36P	46.22	44.45
2x37P	47.49	45.72
2x38P	48.76	46.99
2x39P	50.03	48.26
2x40P	51.30	49.53



PCB LAYOUT

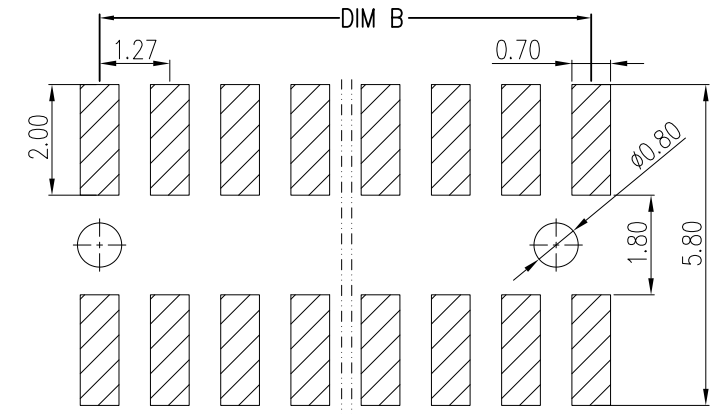
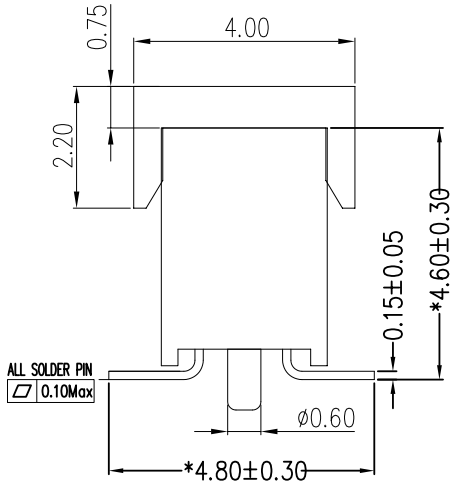
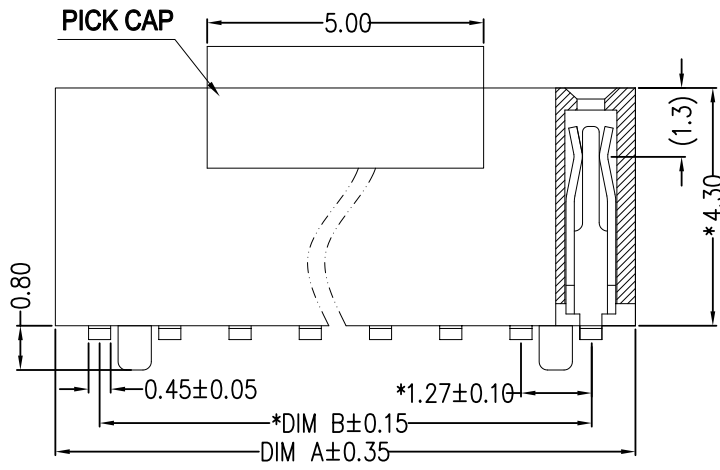
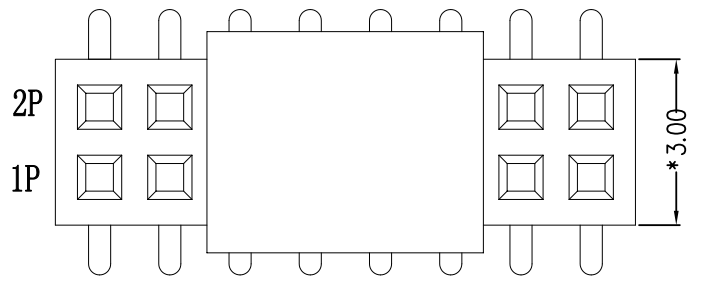
TOLERANCE UNLESS OTHERWISE SPECIFIED	
LINER	ANGLES
.0 ±0.30	0.° ±3°
.00 ±0.20	.0° ±2°
.000 ±0.10	.00° ±1°

LDCONN 东莞连大精密制品有限公司
DongGuan LianDa Precision Products Co., LTD

TITLE	PH1.27X3.4 2X10P SMT 双排排母U型,带吸取帽,带柱	DRAWN BY	LZR	04/12-'22
PART NO	LFH127210D0002	CHECKED BY	工程 7-11-22 朱磊	
DRAWING NO		APPROVED BY	工程 7-11-22 周晓	
SCALE	1:1	UNITE	mm	PAGE 1/1
				SIZE A4

HSF RoHS

REV	ECN NO	DESCRIPTION	DATE	NAME
A		NEW	04/12-'22	LZR



PCB LAYOUT

Specifications

- 规范**
- Current Rating: 1.0Amps
额定电流:1.0安培
 - rated voltage: 125V AC/DC
额定电压:125V AC/DC
 - Insulation Resistance: 1000 MΩ Min
绝缘电阻:最小1000 MΩ
 - Dielectric withstanding Voltage: 500V AC
耐电压:500V AC
 - Contact Resistance: 20 mΩ Max
接触电阻:最大20 mΩ
 - Operating Temperature: -40°C to +105°C
工作温度:-40°C ~ +105°C
 - Contact Material: Phosphor Bronze
接触材质:磷铜
 - Plating: Au G/F"
电镀:金 G/F"
 - Insulation Material: PA9T,UL94V-0,Black
绝缘材料:PA9T,UL94V-0,黑色
 - Marked "*" symbol are major dimensions
标有"*"符号为主要尺寸
 - Packing: 800PCS/Reel;
包装: 800PCS/卷装;

Ordering Information

LFH 127 X XX X XXXX

Code	Pitch	Rows	PIN Number	Packing	Serial No
FH:FEMALE HEADER 排母	100:1.0 127:1.27 200:2.0 250:2.5 254:2.54	1:1Row单排 2:2Row双排 3:3Row三排 4:4Row四排	PIN数 1~99 (Per Row每排)	A:PE Bag 袋装 B:Tube 管装 C:Tray 盘装 D:Reel 卷装 E:Bag and Box 袋加盒 F:Other其他	0001~9999

PIN	DIM A	DIM B
2x1P	1.67	
2x2P	2.94	1.27
2x3P	4.21	2.54
2x4P	5.48	3.81
2x5P	6.75	5.08
2x6P	8.02	6.35
2x7P	9.29	7.62
2x8P	10.56	8.89
2x9P	11.83	10.16
2x10P	13.10	11.43
2x11P	14.37	12.70
2x12P	15.64	13.97
2x13P	16.91	15.24
2x14P	18.18	16.51
2x15P	19.45	17.78
2x16P	20.72	19.05
2x17P	21.99	20.32
2x18P	23.26	21.59
2x19P	24.53	22.86
2x20P	25.80	24.13
2x21P	27.07	25.4
2x22P	28.34	26.67
2x23P	29.61	27.94
2x24P	30.88	29.21
2x25P	32.15	30.48
2x26P	33.42	31.75
2x27P	34.69	33.02
2x28P	35.96	34.29
2x29P	37.23	35.56
2x30P	38.50	36.83
2x31P	39.77	38.10
2x32P	41.04	39.37
2x33P	42.31	40.64
2x34P	43.58	41.91
2x35P	44.85	43.18
2x36P	46.12	44.45
2x37P	47.39	45.72
2x38P	48.66	46.99
2x39P	49.93	48.26
2x40P	51.20	49.53

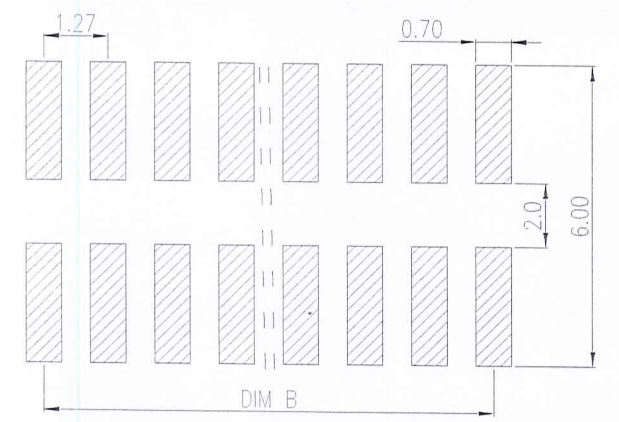
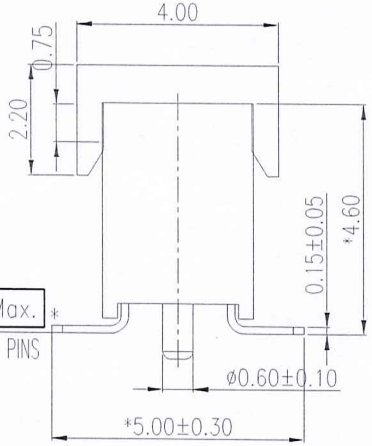
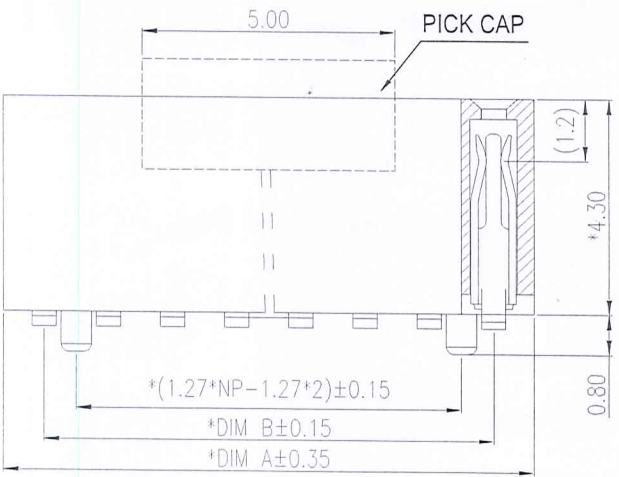
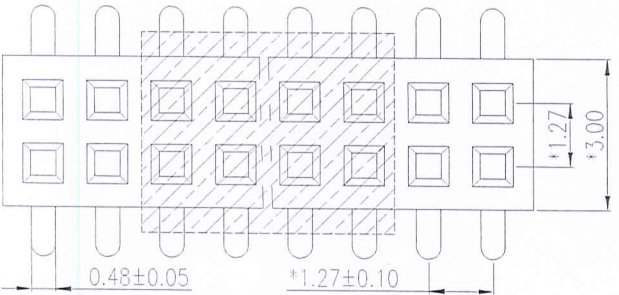
LDCONN 东莞连大精密制品有限公司
DongGuan LianDa Precision Products Co., LTD

TOLERANCE UNLESS OTHERWISE SPECIFIED	
LINER	ANGLES
.0 ±0.30	0.° ±3°
.00 ±0.20	.0° ±2°
.000 ±0.10	.00° ±1°

TITLE	PH1.27X4.3 2X11P SMT 双排排母U型,带吸取帽,带柱	DRAWN BY	LZR	04/12-'22
PART NO	LFH127211D0001	CHECKED BY	工程 7-11-22 朱磊	
DRAWING NO		APPROVED BY	工程 7-11-22 周晓	
SCALE	1:1	UNITE	mm	PAGE 1/1
				SIZE A4

HSF RoHS

REV	ECN NO	DESCRIPTION	DATE	NAME
A	—	NEW	09/24-'19	LZM
B	—	变更旧料号: L30443-1128101D	12/30-'21	FS



PCB LAYOUT

Specifications

- 规范**
- Current Rating: 1.0Amps
额定电流: 1.0安培
 - rated voltage: 125V AC/DC
额定电压: 125V AC/DC
 - Insulation Resistance: 1000 MΩ Min
绝缘电阻: 最小1000 MΩ
 - Dielectric withstanding Voltage: 500V AC
耐电压: 500V AC
 - Contact Resistance: 20 mΩ Max
接触电阻: 最大20 mΩ
 - Operating Temperature: -40° C to +105° C
工作温度: -40° C ~ +105° C
 - Contact Material: Phosphor Bronze
接触材质: 磷铜
 - Plating: AuG/F Nickel base 30u"MIN
电镀: 金G/F 镍底30u"最小
 - Insulation Material: PA9T, UL94V-0
绝缘材料: PA9T, UL94V-0
 - Salt Spray: 24H
盐雾: 24H
 - Marked "*" symbol are major dimensions
标有 "*" 符号为主要尺寸
 - Packing: REEL;
包装: 卷装;

PIN	DIM A	DIM B
2x1P	1.67	
2x2P	2.94	1.27
2x3P	4.21	2.54
2x4P	5.48	3.81
2x5P	6.75	5.08
2x6P	8.02	6.35
2x7P	9.29	7.62
2x8P	10.56	8.89
2x9P	11.83	10.16
2x10P	13.10	11.43
2x11P	14.37	12.70
2x12P	15.64	13.97
2x13P	16.91	15.24
2x14P	18.18	16.51
2x15P	19.45	17.78
2x16P	20.72	19.05
2x17P	21.99	20.32
2x18P	23.26	21.59
2x19P	24.53	22.86
2x20P	25.80	24.13
2x21P	27.07	25.40
2x22P	28.34	26.67
2x23P	29.61	27.94
2x24P	30.88	29.21
2x25P	32.15	30.48
2x26P	33.42	31.75
2x27P	34.69	33.02
2x28P	35.96	34.29
2x29P	37.23	35.56
2x30P	38.50	36.83
2x31P	39.77	38.10
2x32P	41.04	39.37
2x33P	42.31	40.64
2x34P	43.58	41.91
2x35P	44.85	43.18
2x36P	46.12	44.45
2x37P	47.39	45.72
2x38P	48.66	46.99
2x39P	49.93	48.26
2x40P	51.20	49.53

Ordering Information

LXX XXX X XX X XXXX

Code	Pitch	Rows	PIN Number	Packing	Serial No
PH: PIN HEADER 排针	100: 1.0	1: 1Row一排	PIN数	A: PE Bag 袋装	0001~9999
PH: FEMALE HEADER 排母	127: 1.27	2: 2Row二排	1~99	B: Tube 管装	
PH: EJECTOR HEADER 筒牛	200: 2.0	2: 2Row二排	(Per Row每排)	C: Tray 盘装	
PH: BOX HEADER 牛角	250: 2.5	3: 3Row三排		D: Reel 卷装	
	254: 2.54	4: 4Row四排		E: Bag and Box 袋盒装	
				F: Other其他	



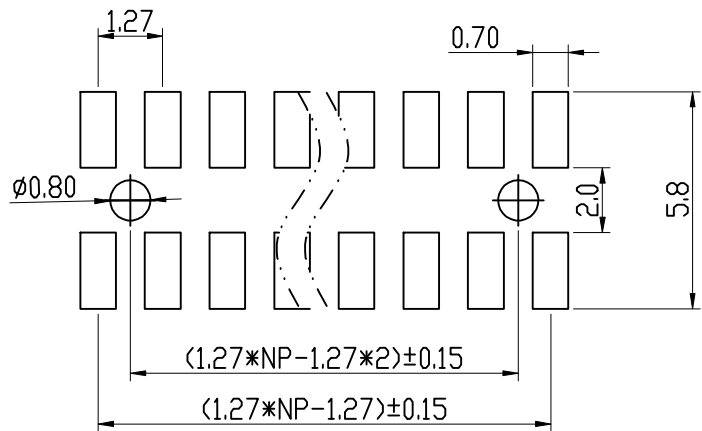
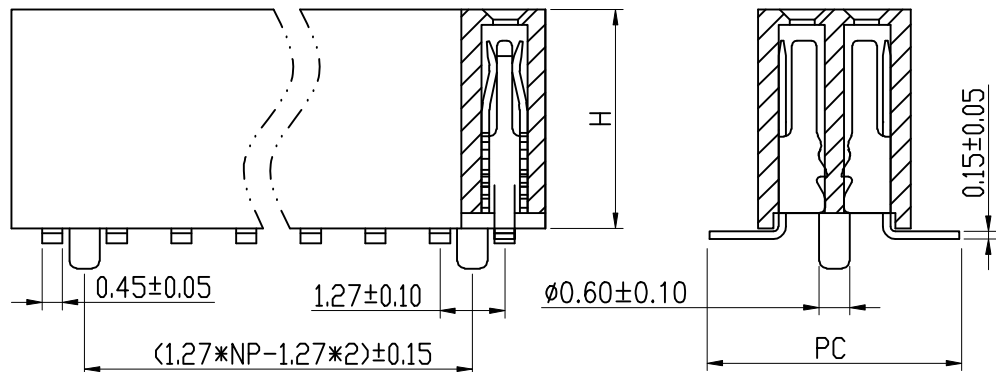
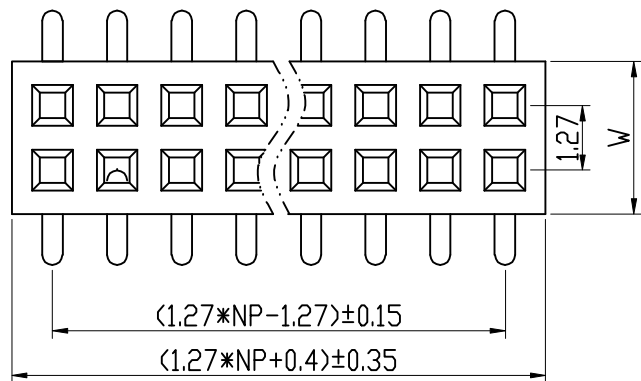
LDCONN 东莞连大精密制品有限公司
DongGuan LianDa Precision Products Co., LTD

STANDARD TOLERANCE (EXCEPT SPECIFIED)	
LINER	ANGLES
.0 ±0.30	0° ±3°
.00 ±0.20	.0° ±2°
.000 ±0.10	.00° ±1°

TITLE	PH1.27X4.3 2X11P SMT 排母U型 带柱带吸取帽	DRAWN BY	LZM	09/24-'19
PART NO.	LFH127211D0050	CHECKED BY	ZL	5/23-24
DRAWING NO.		APPROVED BY	ZX	5/23-24
SCALE	1:1	UNIT	mm	PAGE 1/1
				SIZE A4

HSF RoHS

REV	ECN NO	DESCRIPTION	DATE	NAME
A		NEW		



PCB LAYOUT

Specifications

- 1.Current Rating:1Amps
- 2.Contact Resistance: 20mΩ
- 3.Insulator Resistance:1000 Megohms min.
- 4.Dielectric withstanding Voltage: AC/DC 500V
- 5.Operating Temperature:-40℃ to+105℃
- 6.Contact Material: phosphor Bronze
- 7.Insulator Material:Asfollows
- 8.Plated: Asfollows

Ordering Information

L304 XX -XX 2 X X XX X

Insulation Height*Wide (H*W) Option:	NO. of Pins Per Row: 1-50P	Insulation Material Option:	Contact Plating	Serial NO. 01-69(No pillars) 70-89(pillars) 90-99(outside pillars)	Packing A=PE Bag B=Tube C=Tray D=Reel
20=2.0*3.0 34=3.4*3.0 43=4.3*3.0		1=PBT 2=PPS 3=NY6T 4=LCP 5=NY66 6=Customized 7=NY46 8=NY9T	0=0.8" Gold 1=Au1" Gold 2=Au1.5" Gold 3=Au2" Gold 4=Au3" Gold 5=Au5" Gold 6=Customized 7=Gold/Tin 8=Tin		

Dimension antitheses list

ITEM	PC	H	W
Standard	4.2/4.8/5.0	2.0/3.4/4.3	3.0
Alternate			

LDCONN 东莞连大精密制品有限公司
DongGuan LianDa Precision Products Co., LTD

STANDARD TOLERANCE (EXCEPT SPECIFIED)			
LINER		ANGLES	
.0	±0.30	0.°	±3°
.00	±0.20	.0°	±2°
.000	±0.10	.00°	±1°

TITLE	PH1.27mm 2XNP SMT Dual row Female Header with Post	DRAWN BY	Lujunhui	18.04.01			
PART NO	L304XX-XX2XXXXX	CHECKED BY					
DRAWING NO		APPROVED BY					
SCALE	1:1	UNIT	mm	PAGE	1/1	SIZE	A4